

Connector - 7 poles with MULTI-GRIP



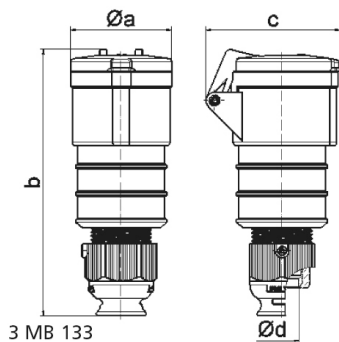
| Product description | |
|---------------------------|---------------|
| BALS-Prd.-Nr | 31752 |
| EAN | 4024941317528 |
| Product category | TE connector |
| Current | 16A |
| Number of poles | 7p |
| Arrangement of phases | 6p+PE |
| Position of earth contact | 6 h |
| Voltage | 400V~ |
| Frequency | 50/60Hz |

| Product description | |
|------------------------|--|
| Protection degree | IP44 |
| Colour code | red RAL 3000 |
| Colour of appliance | Hinged lid red RAL 3000, Enclosure red RAL 3000, Cable gland grey RAL 7035 |
| Connection design | with screw terminal |
| Maximum conductor size | 2,5 qmm |
| Cable entry | Cable gland |
| Height | 173mm |
| Width | 65mm |
| Depth | 86mm |
| Material of enclosure | Polyamide |
| Contacts | the contact carrier is made of high temperature resistant material, the contacts are brass nickel plated |

| Additional technical properties | |
|---------------------------------|--|
| | For cable diameter from 10 up to max. 21 mm, MULTI-GRIP cable gland with gasket, integrated cable clamp and additional water evacuation openings |

| Logistics data | |
|----------------|------------------|
| Weight/pcs | 0.248 kg / Piece |
| Packaging | Bag |
| Content amount | 1 ST |
| EAN | 4024941317528 |

| Logistics data | |
|----------------|---------------|
| Length | 86 mm |
| Width | 65 mm |
| Height | 173 mm |
| Weight | 0.249 kg |
| Volume | 967.07 ccm |
| Packaging | Carton |
| Content amount | 10 ST |
| EAN | 4024941959056 |
| Length | 245 mm |
| Width | 177 mm |
| Height | 185 mm |
| Weight | 2.613 kg |
| Volume | 7,140 ccm |



| | | | | | | | | |
|----------------------------|-------|-------|--|--|--|--|--|--|
| Ampere | 16 | 32 | | | | | | |
| Polzahl | 7 | 7 | | | | | | |
| a ø | 65,0 | 72,0 | | | | | | |
| b | 168,0 | 198,0 | | | | | | |
| c | 86,0 | 99,0 | | | | | | |
| d ø | 21,0 | 27,0 | | | | | | |
| Leiter mm ² min | 1 | 2,5 | | | | | | |
| Leiter mm ² max | 2,5 | 6 | | | | | | |
| | | | | | | | | |
| | | | | | | | | |
| | | | | | | | | |
| | | | | | | | | |
| | | | | | | | | |