

Accessories sockets - 38x38



| Product description | |
|------------------------------|----------------|
| BALS-Prd.-Nr | 1843 |
| EAN | 4024941018432 |
| Product category | Mounting frame |
| Colour code | grey RAL 7035 |
| Height | 50mm |
| Width | 50mm |
| Depth | 13mm |
| Flange size vertical in mm | 50mm |
| Flange size horizontal in mm | 50mm |

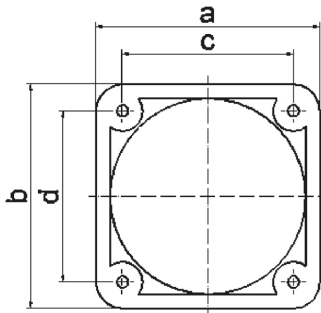
| Product description | |
|--------------------------------|-----------|
| Drill hole dist. vertical mm | 38mm |
| Drill hole dist. horizontal mm | 38mm |
| Material of enclosure | Polyamide |

| Logistics data | |
|----------------|---------------|
| Weight/pcs | 7.1 g / Piece |
| Packaging | Bag |
| Content amount | 1 ST |
| EAN | 4024941018432 |
| Length | 13 mm |
| Width | 50 mm |
| Height | 50 mm |
| Weight | 8.1 g |
| Volume | 32.5 ccm |
| Packaging | Carton |
| Content amount | 100 ST |
| EAN | 4024941326940 |
| Length | 275 mm |
| Width | 175 mm |
| Height | 137 mm |
| Weight | 835 g |

Logistics data

Volume

5,737.5 ccm



| a | b | c | d | e | Bestell-Nr. |
|----|----|----|----|----|-------------|
| 50 | 50 | 38 | 38 | 13 | 1843 |
| 54 | 54 | 44 | 44 | 10 | 1847 |
| 57 | 66 | 47 | 47 | 10 | 1848 |
| 60 | 60 | 50 | 50 | 10 | 1849 |
| 62 | 62 | 52 | 52 | 10 | 1850 |
| 62 | 70 | 52 | 60 | 10 | 1851 |

30 MB 182