

connector - with TE screw terminals, for harsh applications



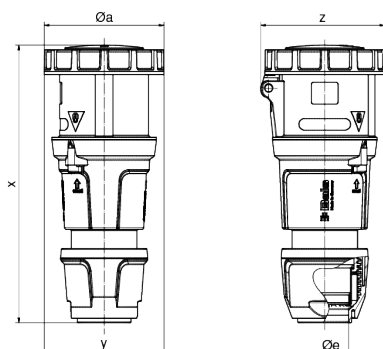
Product description	
BALS-Prd.-Nr	31611
EAN	4024941316118
Product category	TE connector
Current	125A
Number of poles	4p
Arrangement of phases	3P+PE
Position of earth contact	10 h
Voltage	> 50V~

Product description	
Frequency	100 - 300Hz
Protection degree	IP67
Colour code	green RAL 6002
Colour of appliance	Hinged lid green RAL 6002, Pusher black RAL 9005, Collar green RAL 6002, Housing cover dark grey RAL 7012, Cable gland dark grey RAL 7012, Bajonet ring dark grey RAL 7012
Connection design	screw terminal as box terminal with Kontex-contact
Maximum conductor size	50.0 qmm
Cable entry	with cable gland
Height	295mm
Width	125mm
Depth	128mm
Material of enclosure	Polyamide
Contacts	The contact carrier is made of high temperature resistant material, the contacts are brass nickel plated

Additional technical properties	
	For cable diameter from 26 up to max. 50 mm, Multi-Grip cable gland with gasket and integrated strain relief

Logistics data	
Weight/pcs	1.21 kg / Piece
Packaging	Bag

Logistics data	
Content amount	1 ST
EAN	4024941316118
Length	128 mm
Width	125 mm
Height	295 mm
Weight	1.211 kg
Volume	4,720 ccm
Packaging	Carton
Content amount	5 ST
EAN	4024941835404
Length	345 mm
Width	345 mm
Height	217 mm
Weight	6.385 kg
Volume	24,276 ccm



	125	125	125
Ampere	3	4	5
Polzahl			
ø a	125,0	125,0	125,0
ø e	50,0	50,0	50,0
x	290,0	290,0	290,0
y	125,0	125,0	125,0
z	130,0	130,0	130,0
Cond. mm ² min	16,0	16,0	16,0
Cond. mm ² max	50,0	50,0	50,0



