

TN connector - with cable gland, with bayonet cover

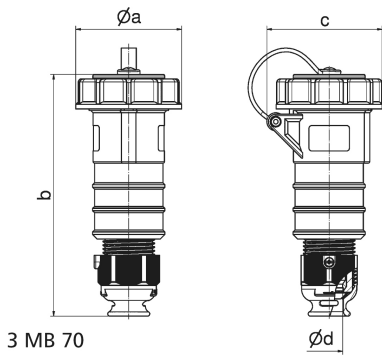


Product description	
BALS-Prd.-Nr	31162
EAN	4024941311625
Product category	QUICK-CONNECT TN connector
Current	16A
Number of poles	3p
Arrangement of phases	2P+PE
Position of earth contact	6 h
Voltage	200 - 250V~
Frequency	50/60Hz

Product description	
VG-type-no.:	VG 96919 DS 017
Supply no.:	5935-12-312-5516
Protection degree	IP67
Colour code	bronze-green RAL 6031-F9
Colour of appliance	Hinged lid bronze-green RAL 6031-F9, Enclosure bronze-green RAL 6031-F9, Cable gland bronze-green RAL 6031-F9, Bayonet ring bronze-green RAL 6031-F9
Connection design	screwless spring terminals with Kontex-Kontakt
Maximum conductor size	2,5 qmm
Cable entry	with cable gland
Height	162mm
Width	70.5mm
Depth	76mm
Material of enclosure	Polyamide
Contacts	The contact carrier is made of high temperature resistant material, the contacts are brass nickel plated

Additional technical properties	
	Multi-Grip cable gland with gasket, integrated cable clamp and additional water evacuation openings, For cable diameter from 8 up to max. 18 mm
	With bayonet cover on strap

Logistics data	
Weight/pcs	0.177 kg / Piece
Packaging	Bag
Content amount	1 ST
EAN	4024941311625
Length	76 mm
Width	70.5 mm
Height	162 mm
Weight	0.178 kg
Volume	867.996 ccm
Packaging	Carton
Content amount	10 ST
EAN	4024941839679
Length	245 mm
Width	177 mm
Height	185 mm
Weight	1.903 kg
Volume	7,140 ccm



3 MB 70

Ampere	16	16	16	32	32	32
Polzahl	3	4	5	3	4	5
a \varnothing	70,5	78,0	86,5	94,0	94,0	101,5
b	161,0	161,0	168,0	196,0	196,0	200,0
c	77,0	83,0	93,0	99,0	99,0	107,0
d \varnothing	18,0	18,0	21,0	23,0	23,0	27,0
Leiter mm ² min	1,0	1,0	1,0	2,5	2,5	2,5
Leiter mm ² max	2,5	2,5	2,5	6,0	6,0	6,0