

connector - with screwless terminals, for harsh applications



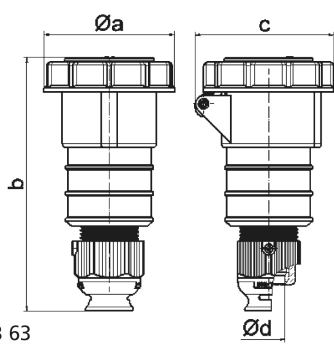
Product description	
BALS-Prd.-Nr	31308
EAN	4024941313087
Product category	QUICK-CONNECT TE connector
Current	32A
Number of poles	3p
Arrangement of phases	2P+PE
Position of earth contact	9 h
Voltage	380 - 415V~

Product description	
Frequency	50/60Hz
Protection degree	IP67
Colour code	red RAL 3000
Colour of appliance	Bayonet ring grey RAL 7035, Cable gland grey RAL 7035, Enclosure red RAL 3000, Hinged lid red RAL 3000
Connection design	screwless spring terminals with Kontex-Kontakt
Maximum conductor size	6,0 qmm
Cable entry	with cable gland
Height	198mm
Width	94mm
Depth	97mm
Material of enclosure	Polyamide
Contacts	The contact carrier is made of high temperature resistant material, the contacts are brass nickel plated

Additional technical properties	
	Multi-Grip cable gland with gasket, integrated cable clamp and additional water evacuation openings, For cable diameter from 11 up to max. 23,5 mm

Logistics data	
Weight/pcs	0.335 kg / Piece
Packaging	Bag
Content amount	1 ST

Logistics data	
EAN	4024941313087
Length	97 mm
Width	94 mm
Height	198 mm
Weight	0.336 kg
Volume	1,805.364 ccm
Packaging	Carton
Content amount	10 ST
EAN	4024941835152
Length	325 mm
Width	217 mm
Height	210 mm
Weight	3.556 kg
Volume	13,588.4 ccm

	Ampere	16	16	16	32	32	32
	Polzahl	3	4	5	3	4	5
a ø		70,5	78,0	86,5	94,0	94,0	101,5
b		161,0	161,0	168,0	196,0	196,0	200,0
c		77,0	83,0	93,0	99,0	99,0	107,0
d ø		18,0	18,0	21,0	23,0	23,0	27,0
Leiter mm ² min		1	1	1	2,5	2,5	2,5
Leiter mm ² max		2,5	2,5	2,5	6	6	6