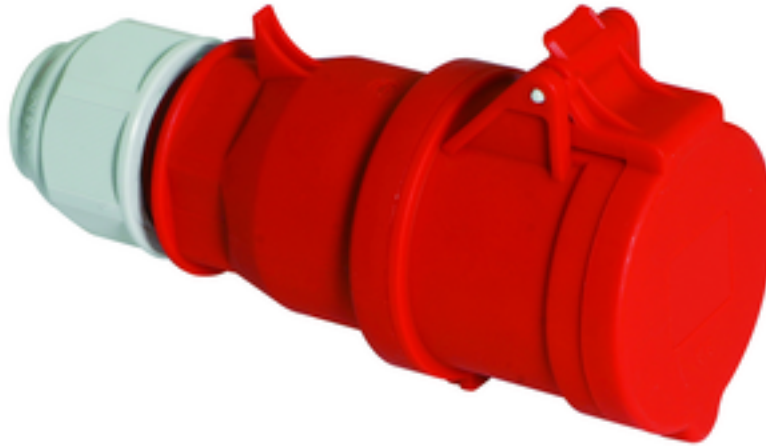


connector - with screwless terminals



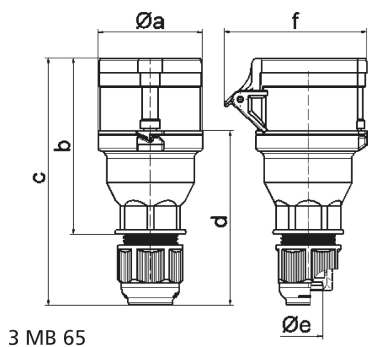
Product description	
BALS-Prd.-Nr	3142
EAN	4024941031424
Product category	QUICK-CONNECT connector
Current	32A
Number of poles	4p
Arrangement of phases	3P+PE
Position of earth contact	6 h
Voltage	380 - 415V~
Frequency	50/60Hz

Product description	
Protection degree	IP44
Colour code	red RAL 3000
Colour of appliance	Hinged lid red RAL 3000, Collar red RAL 3000, Cable gland grey RAL 7035, Housing cover red RAL 3000
Connection design	screwless spring terminals with Kontex-Kontakt
Maximum conductor size	6,0 qmm
Cable entry	with cable gland
Height	194mm
Width	79mm
Depth	93mm
Material of enclosure	Polyamide
Contacts	The contacts are brass, The contact carrier is made of polyamide

Additional technical properties	
	Multi-Grip cable gland with gasket and integrated strain relief, For cable diameter from 11 up to max. 23,5 mm, Screwless housing connection with snap fastening

Logistics data	
Weight/pcs	0.278 kg / Piece
Packaging	Bag
Content amount	1 ST
EAN	4024941031424

Logistics data	
Length	93 mm
Width	79 mm
Height	194 mm
Weight	0.279 kg
Volume	1,425.318 ccm
Packaging	Carton
Content amount	10 ST
EAN	4024941958295
Length	295 mm
Width	185 mm
Height	215 mm
Weight	2.944 kg
Volume	9,975 ccm



3 MB 65

Ampere	16	16	16	32	32	32
Polzahl	3	4	5	3	4	5
a ø	53,0	60,0	66,0	74,5	74,5	74,5
b	100,5	112,5	113,5	133,5	133,5	134,5
c	141,0	153,0	154,0	186,0	186,0	187,0
d	97,5	104,5	105,5	127,5	127,5	128,5
e ø	18,0	18,0	18,0	23,0	23,0	23,0
f	76,0	79,0	86,0	92,0	92,0	97,0
Leiter mm ² min	1	1	1	2,5	2,5	2,5
Leiter mm ² max	2,5	2,5	2,5	6	6	6