

connector - with screwless terminals, for harsh applications



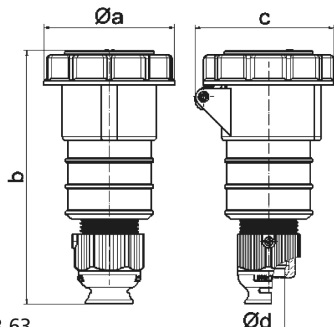
| Product description | |
|---------------------------|----------------------------|
| BALS-Prd.-Nr | 31207 |
| EAN | 4024941312073 |
| Product category | QUICK-CONNECT TE connector |
| Current | 32A |
| Number of poles | 5p |
| Arrangement of phases | 3p+N+PE |
| Position of earth contact | 7 h |
| Voltage | 277/480 - 288/500V~ |

| Product description | |
|------------------------|--|
| Frequency | 50/60Hz |
| Protection degree | IP67 |
| Colour code | black RAL 9005 |
| Colour of appliance | Hinged lid black RAL 9005, Bayonet ring grey RAL 7035, Cable gland grey RAL 7035, Enclosure black RAL 9005 |
| Connection design | screwless spring terminals with Kontex-Kontakt |
| Maximum conductor size | 6,0 qmm |
| Cable entry | with cable gland |
| Height | 196mm |
| Width | 101.5mm |
| Depth | 106mm |
| Material of enclosure | Polyamide |
| Contacts | The contact carrier is made of high temperature resistant material, the contacts are brass nickel plated |

| Additional technical properties | |
|---------------------------------|--|
| | For cable diameter from 13 up to max. 27 mm, Multi-Grip cable gland with gasket, integrated cable clamp and additional water evacuation openings |

| Logistics data | |
|----------------|------------------|
| Weight/pcs | 0.411 kg / Piece |
| Packaging | Bag |
| Content amount | 1 ST |

| Logistics data | |
|----------------|---------------|
| EAN | 4024941312073 |
| Length | 106 mm |
| Width | 101.5 mm |
| Height | 196 mm |
| Weight | 0.412 kg |
| Volume | 2,108.764 ccm |
| Packaging | Carton |
| Content amount | 10 ST |
| EAN | 4024941823494 |
| Length | 330 mm |
| Width | 216 mm |
| Height | 260 mm |
| Weight | 4.336 kg |
| Volume | 17,062.5 ccm |



| Ampere | 16 | 16 | 16 | 32 | 32 | 32 |
|----------------------------|-------|-------|-------|-------|-------|-------|
| Polzahl | 3 | 4 | 5 | 3 | 4 | 5 |
| a ø | 70,5 | 78,0 | 86,5 | 94,0 | 94,0 | 101,5 |
| b | 161,0 | 161,0 | 168,0 | 196,0 | 196,0 | 200,0 |
| c | 77,0 | 83,0 | 93,0 | 99,0 | 99,0 | 107,0 |
| d ø | 18,0 | 18,0 | 21,0 | 23,0 | 23,0 | 27,0 |
| Leiter mm ² min | 1 | 1 | 1 | 2,5 | 2,5 | 2,5 |
| Leiter mm ² max | 2,5 | 2,5 | 2,5 | 6 | 6 | 6 |
| | | | | | | |
| | | | | | | |
| | | | | | | |
| | | | | | | |

3 MB 63