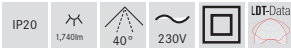
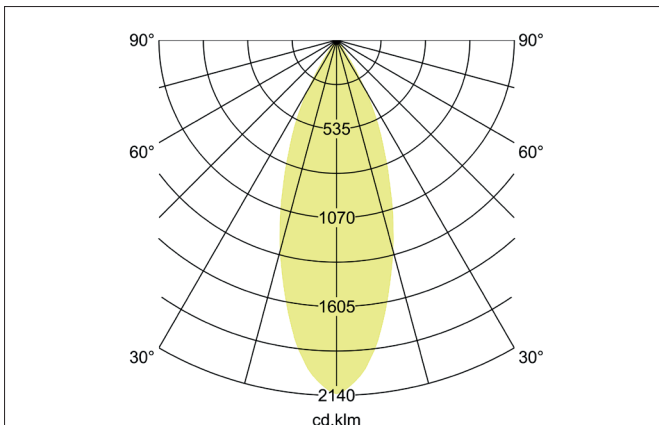
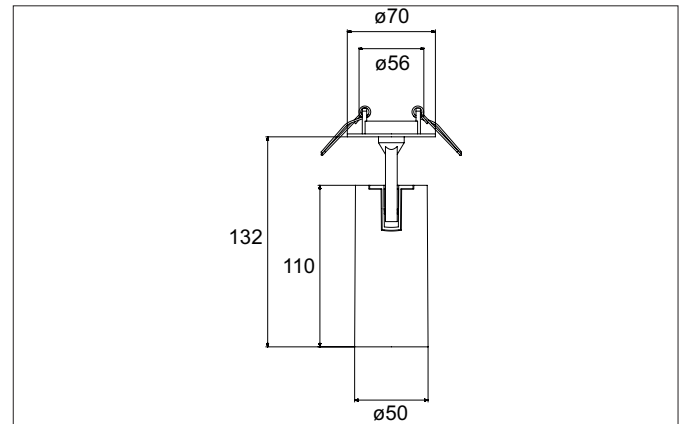


**TRAXX MINI LED semi-recessed spotlight, on/off switchable**

Article no. 88784163

Light.  
For Generations.**Tender**

LED semi-recessed spotlight, on/off switchable, Round. Ceiling cut-out  $\varnothing$  56 mm, Installation depth 50 mm, Weight 0,300 kg, with rotattionssymmetrical, deep, wide distributed light intensity. optimal light distribution due to a glass transparent cover. Luminous flux 1.740 lm, Power 1 x 14,5 W, Light colour warm white, Correlated color temprature (CCT) 3.000 K, Colour rendering index CRI > 90, Rated life time L80/B50 at 25 °C: 50.000 h, Housing material: Aluminium, Colour: Silver structure, Permissible ambient temperature (ta): -20 °C - +25 °C, Protection class (EN 61140): II, Degree of protection (DIN EN 60529): IP20, .With electronic driver, on/off switchable.

| Article data       |  |
|--------------------|--|
| Article no.        | 88784163                                       |
| GTIN               | 4251433972310                                  |
| Series name        | TRAXX MINI                                     |
| Short description  | LED semi-recessed spotlight, on/off switchable |
| Material           | Aluminium                                      |
| Colour             | Silver   |
| Type of surface    | Structure                                      |
| Shape              | Round  |
| Built-in diameter  | 56 mm  |
| Installation depth | 50 mm  |
| Weight             | 0.300 kg                                       |

**TRAXX MINI LED semi-recessed spotlight, on/off switchable**

Article no. 88784163

Light.  
For Generations.

| Lighting technology          |            |
|------------------------------|------------|
| Colour temperature           | 3.000 K    |
| Light colour                 | White      |
| Light output                 | Direct     |
| Luminous flux                | 1,740 lm   |
| System efficiency            | 120 lm/W   |
| Colour rendering             | CRI > 90   |
| Reflector                    | High-gloss |
| Beam angle                   | 40°        |
| Light sharing                | Symmetric  |
| Adjustable color temperature | No         |

| Operating technology of the luminaire |  |
|---------------------------------------|--|
| System output                         | 14.5 W   |
| Voltage type                          | AC   |
| AC nominal voltage max                | 230 V  |
| Frequenz max.                         | 50 Hz  |
| Lamp                                  | LED  |
| Lamp holder                           | Without fitting  |
| Protection class                      | II   |
| Degree of protection                  | IP20   |
| Control                               | on/off   |
| Bulb change possible                  | The light source of this luminaire may only be replaced by the manufacturer or a service technician commissioned by him or a similarly qualified person. |
| Rated life time L80/B50 at 25 °C      | 50.000 h   |

| Mounting technology         |   |
|-----------------------------|---|
| Mounting method             | Recessed mounting                         |
| Place of installation       | Ceiling-mounted                           |
| Adjustability               | Rotable and pivoted                       |
| Swivel angle                | 90°                                       |
| Rotation angle              | 350°                                      |
| Head adjustable angle       | 90°                                       |
| Further references          | No cover with thermal insulation material |
| Material cover              | Glass transparent                         |
| Suitable for through-wiring | No  |

| Packing data            |   |
|-------------------------|---|
| Gross weight            | 0.35 kg   |
| Length of packaging     | 50 mm   |
| Packaging width         | 50 mm   |
| Packaging height        | 171 mm  |
| Disposal at end of life | This product must not be disposed of with household waste. You are obliged, to dispose of such electrical waste separately.<br>By disposing of electrical waste and other old or defective electronics separately, you support recycling or other forms of re-use. In that way you help to take care and to avoid that harmful substances get into the environment. |