

6050/604-801-7B2-008850-001 Art. No. 270016



- Extremely compact universal light fitting with 4 power classes
- Can be used as a ceiling light fitting, pendant light fitting or floodlight
- Three light distribution curves available: Ultra-wide-beam, wide-beam and medium-wide-beam
- Glare-free thanks to opaque light fitting covering
- Quick, easy installation thanks to Ex e connection chamber
- Universally suitable for use in particularly cold environments as cold as -55 °C
- Suitable for particularly high ambient temperatures up to +70 °C

WebCode 6050C



The 6050/6 universal spotlight is equipment used for lighting areas, work equipment and objects. It can be used indoors and outdoors. The clear lens is available in a matted version to limit the glare. Using an internal reflector, the universal spotlight can be adapted as a narrow beam, wide beam or a medium-wide beam to suit the lighting task.

Technical Data

Explosion Protection

Application range (zones)	1 2 21 22
IECEX gas certificate	IECEX EPS 17.0093
IECEX gas explosion protection	Ex db eb op is IIC T4 Gb
IECEX dust certificate	IECEX EPS 17.0093
IECEX dust explosion protection	Ex tb op is IIIC T110 °C Db
ATEX gas certificate	EPS 17 ATEX 1 181
ATEX gas explosion protection	Ex II 2 G Ex db eb op is IIC T4 Gb
ATEX dust certificate	EPS 17 ATEX 1 181
ATEX dust explosion protection	Ex II 2 D Ex tb op is IIIC T110 °C Db
EAC certificate	TC RU C-DE.ME92.B.01004
EAC gas explosion protection	Ex 1 Ex d e op is IIC T4 Gb
EAC dust explosion protection	Ex Ex tb op is IIIC T110 °C Db
Certificates	ATEX (BVIS), China (CQST), EAC (Sertium), IECEX (BVIS), India (PESO)
Ship approval	DNVGL

Electrical Data

Rated operational voltage AC	220 – 240 V
Rated operational voltage max. AC	240 V
Rated operational voltage min. AC	220 V
Nominal current	0.36 – 0.36 A
Interfaces	DALI
Frequency range	50 – 60 Hz
Start-up current	4

Lighting Data

Number of lamps	1
-----------------	---

6050/604-801-7B2-008850-001 Art. No. 270016

Lighting Data

Lamp wattage	80 W
Lamp type	LED
Lamp	LED
Light colour	neutral white
Light distribution	medium beam
Luminaire efficacy	113 lm/W
Luminous flux	8800 lm
Colour rendering	≥ 80
Colour temperature	5000 K

Ambient Conditions

Ambient temperature	-40 °C ... +70 °C
---------------------	-------------------

Mechanical Data

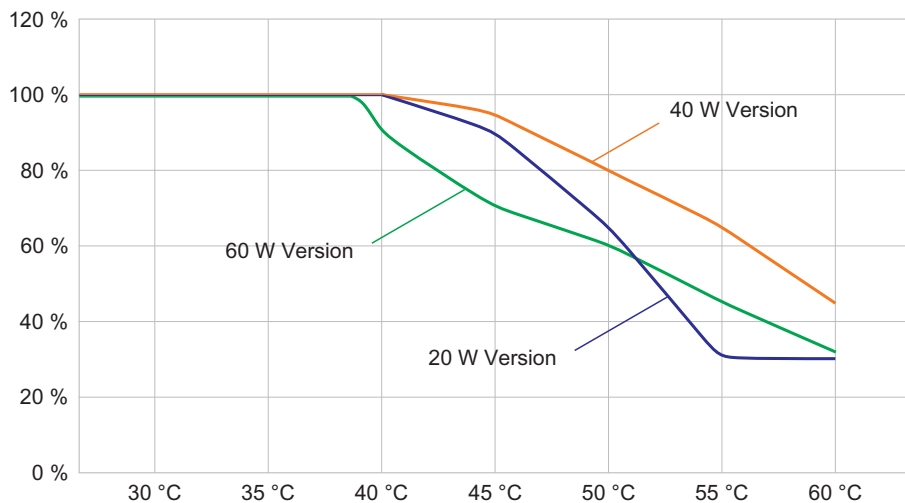
Version	Pendant with Mounting bracket
Degree of protection (IP)	IP66 / IP68 (10 m)
Enclosure material	Aluminium, Seawater resistant
Sealing material	Silicone
Silicon free	2
Protective glass material 2	pressed glass
Connection terminals solid max.	6 mm ²
Connection terminals finely-stranded max.	4 mm ²
Type of connection cable	solid finely-stranded finely-stranded with clip
Design size	1
Width	298 mm
Height	327.5 mm
Length	310 mm
Enclosure colour	Standart finish
Reflector	Yes
Weight	8.23 kg
Weight	18.14 lb
Disconnection of the luminaire	No

Components

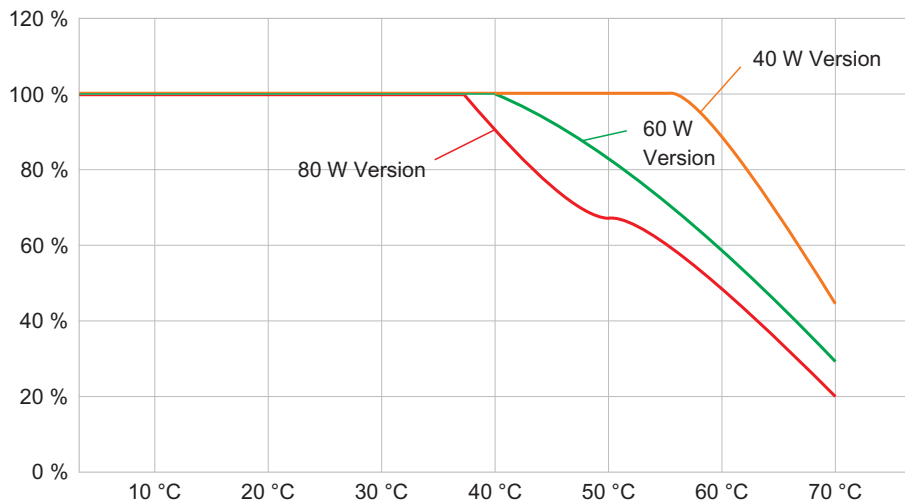
Cable entries	1 x M25 x 1,5
Stopping plug	1 x M25 x 1,5
Wire guard	No

6050/604-801-7B2-008850-001 Art. No. 270016

Technical Drawings – Subject to Alterations



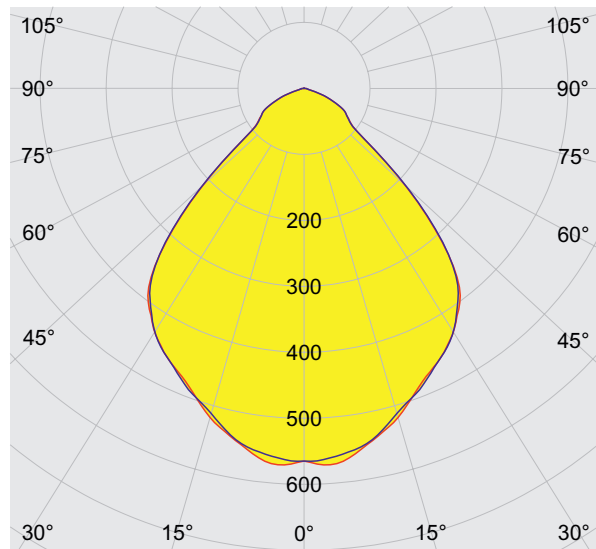
Luminous flux decrease at ambient temperature - variants with DALI



Luminous flux decrease at ambient temperature - variants without DALI

6050/604-801-7B2-008850-001 Art. No. 270016

Light Distribution Curves

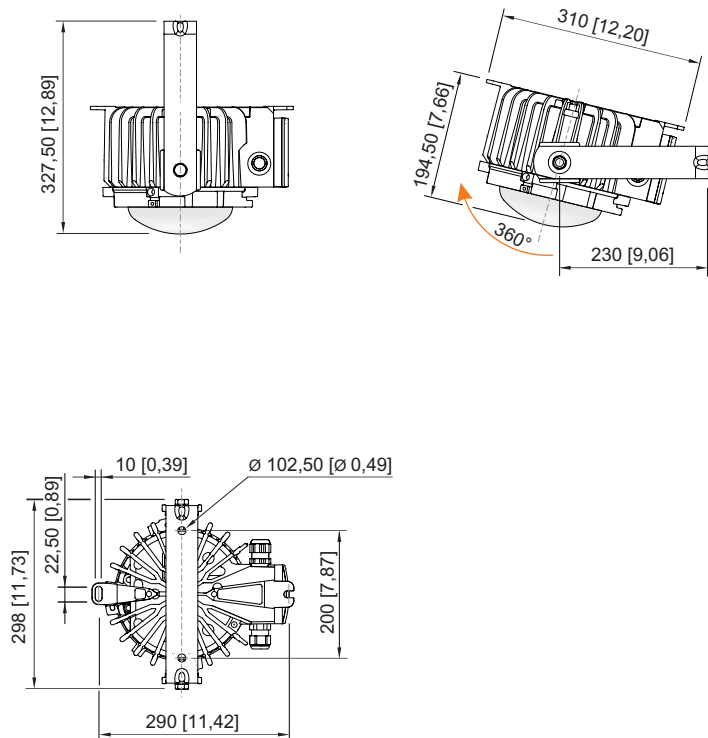


cd/klm $\eta = 100\%$

— C0 - C180 — C90 - C270

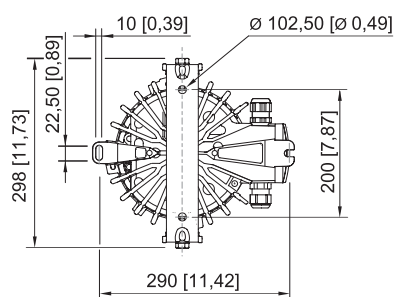
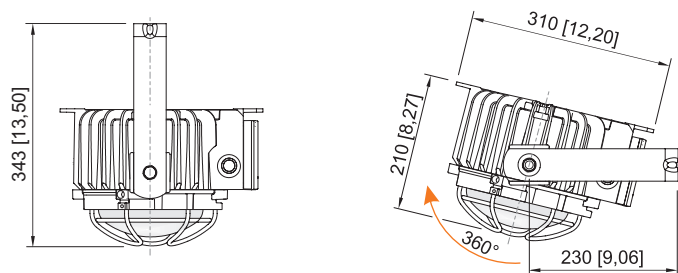
With internal reflector, protection glass clear

Dimensional Drawings (All Dimensions in mm [inches]) – Subject to Alterations

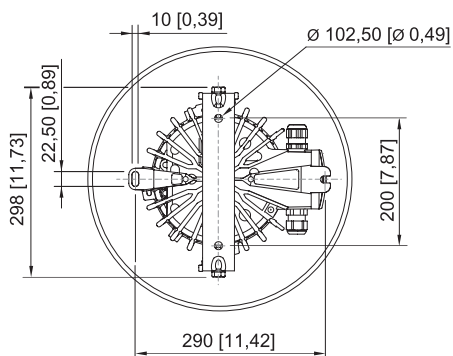
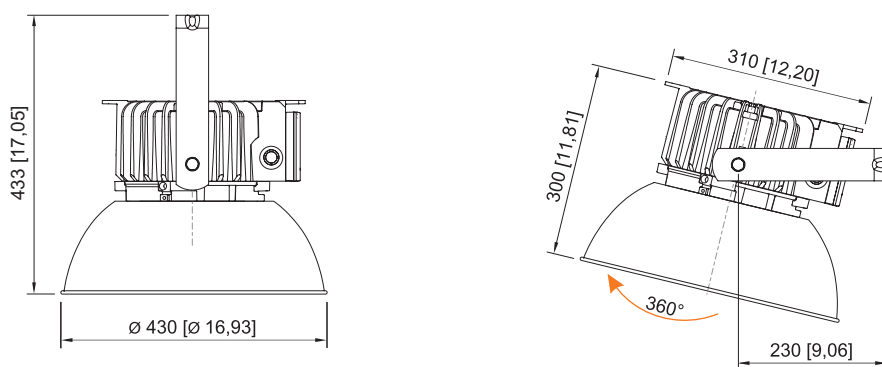


With mounting bracket

6050/604-801-7B2-008850-001 Art. No. 270016



With wire guard and mounting bracket



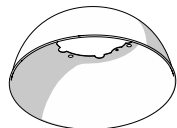
With antiglare device and mounting bracket

6050/604-801-7B2-008850-001 Art. No. 270016

Accessories

Antiglare device / reflector

Art. No.



Complete with mounting parts
Material: aluminium
for 6050/11 and 6050/6

118565

Cable gland made of plastic

Art. No.



8161/7-M25-1707
7 ... 17 mm², 50 pieces (delivery lot¹)

239157

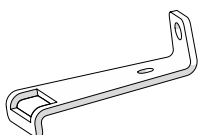
Mounting bracket

Art. No.



Complete; stainless steel (for additional mounting)
for 6050/6

265877

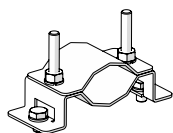


The stainless steel mounting fixture is fastened to the enclosure of the pendant light fitting series 6050/6 by means of two stainless steel screws M8.

269716

Pipe clamp

Art. No.



for pipe R 1 1/4" ... 2"

268967

Ring bolt

Art. No.



M8, für 6050/6, direct mounting; 1 pair

265874

Stopping plug

Art. No.



8290/3-M25, 100 pieces

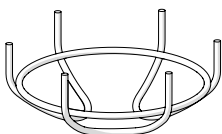
143544

8290/3-M25, 1 piece

143524

Wire guard

Art. No.



Complete with mounting parts
Material: steel wire, stainless steel
for 6050/6

221774

We reserve the right to make alterations to the technical data, dimensions, weights, designs and products available without notice. The illustrations cannot be considered binding.