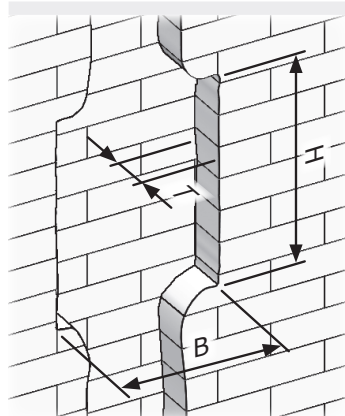
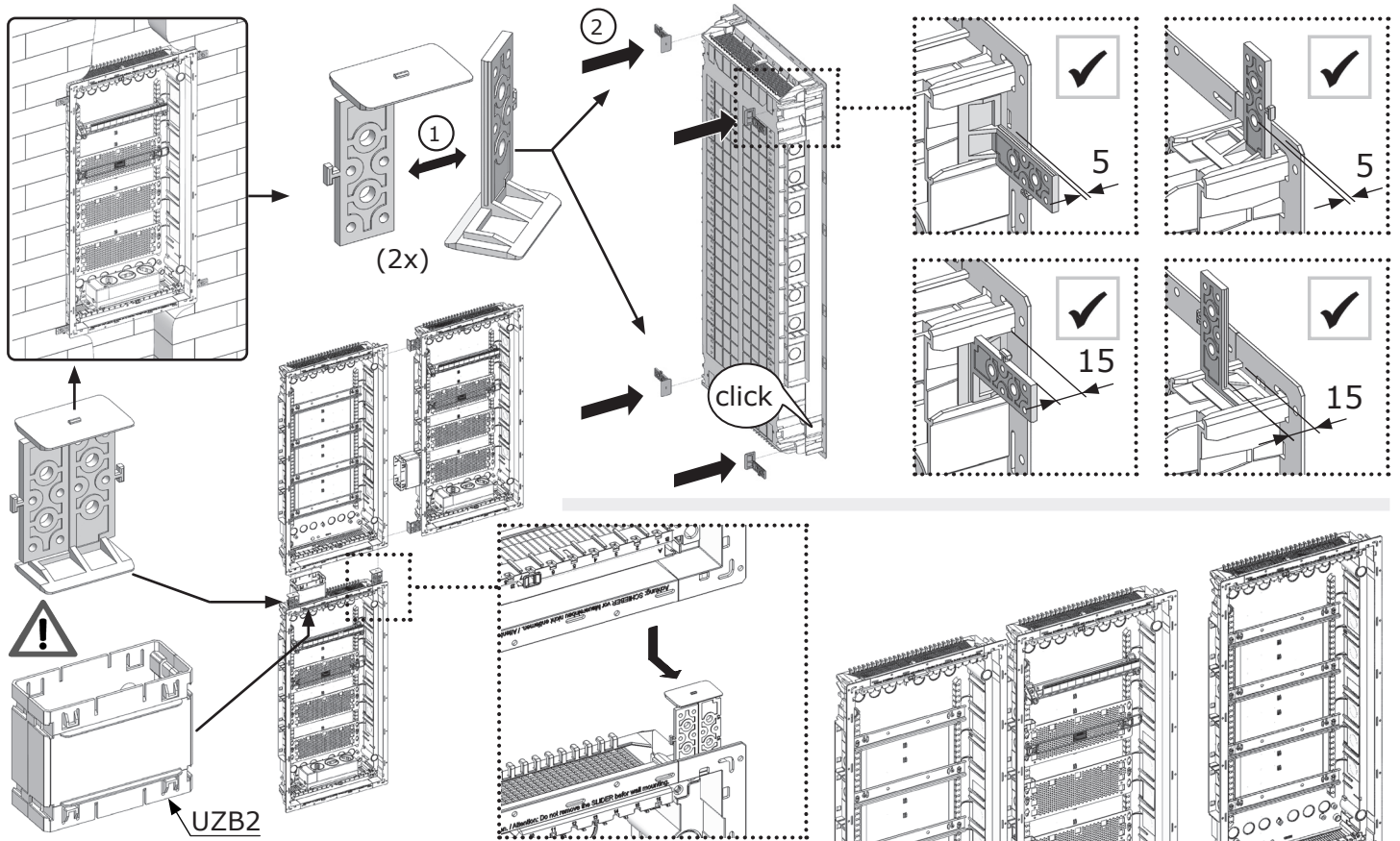
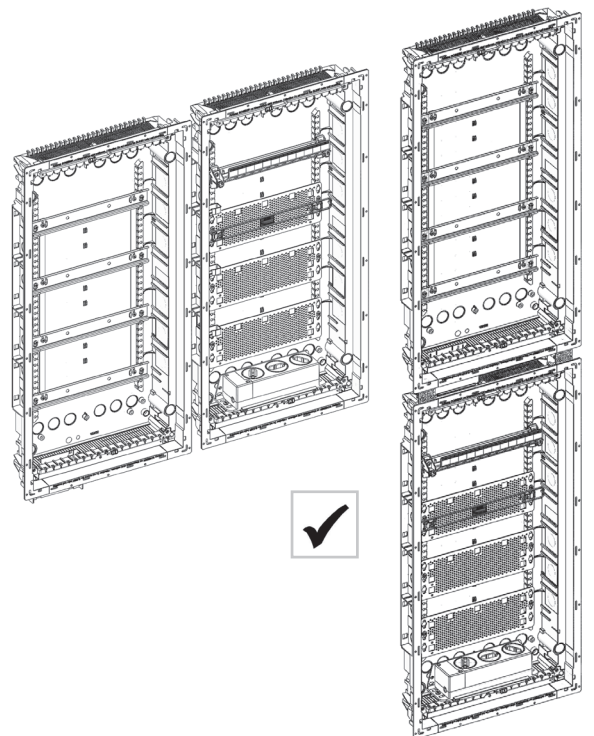


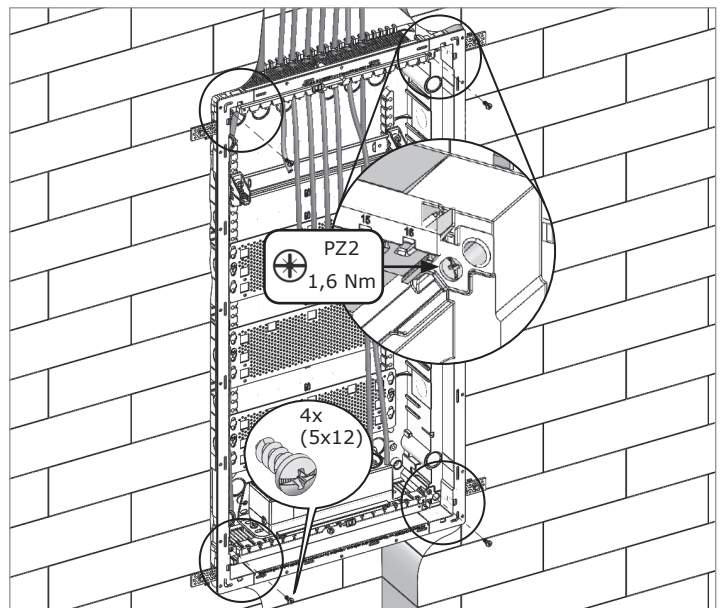
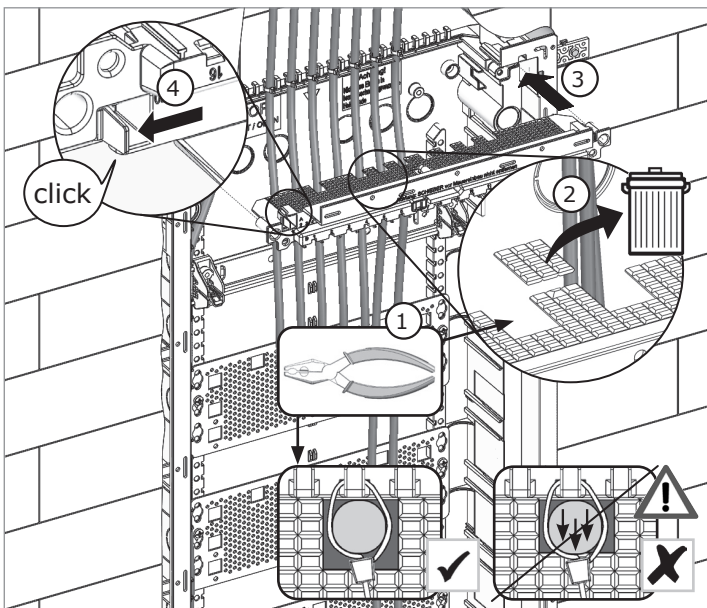
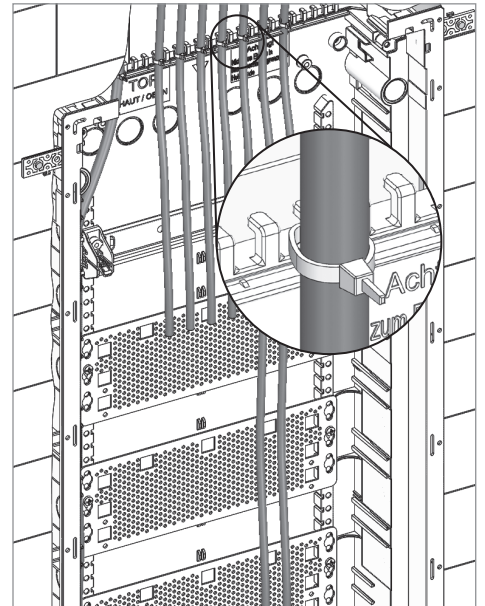
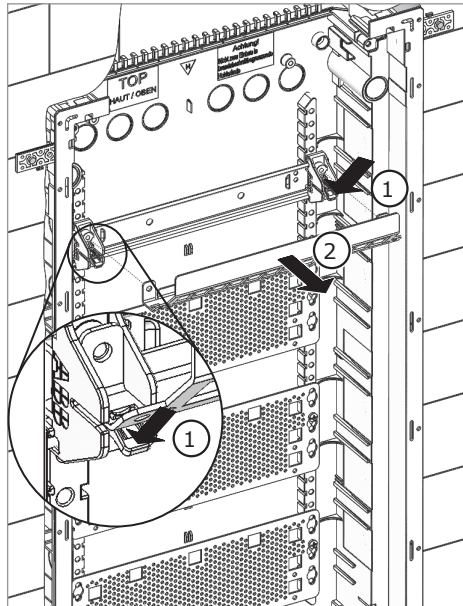
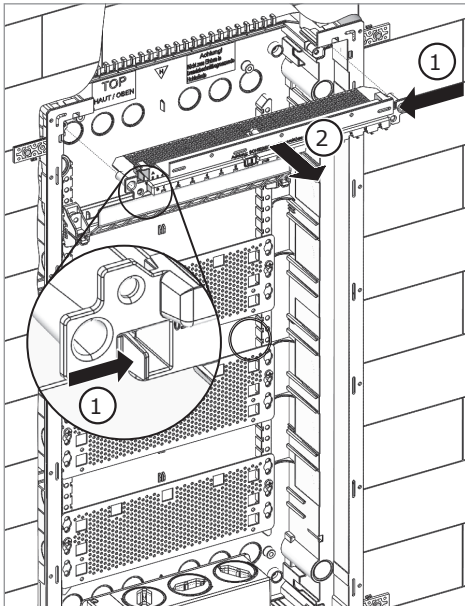
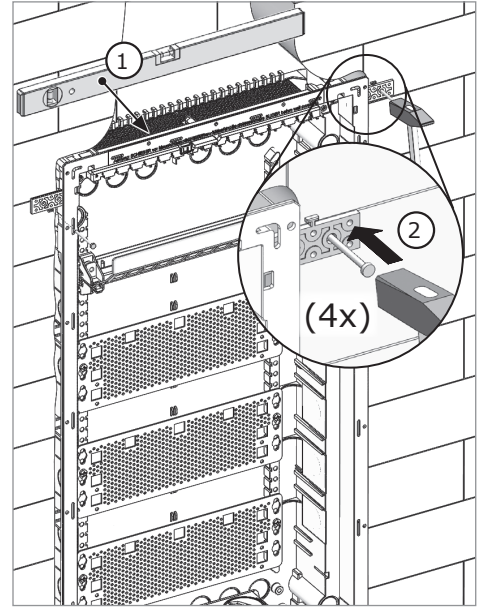
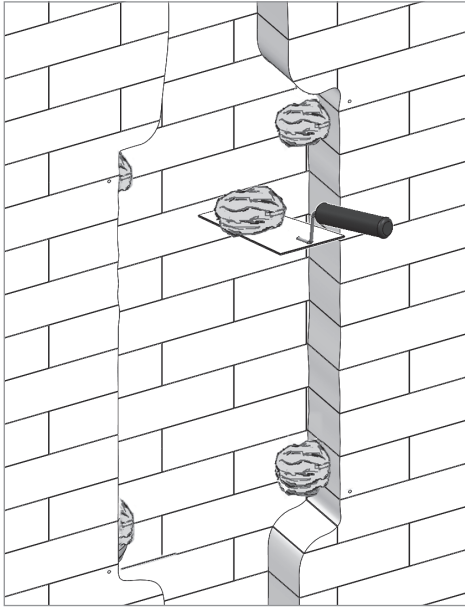
| | | | |
|--|--|-------------------------|--|
| | | EN 60670-24 (PD) | |
| | | | |
| www.striebelundjohn.com | | | |
| | | | |

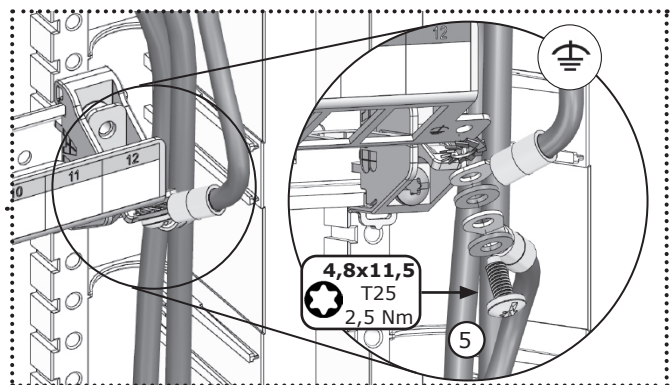
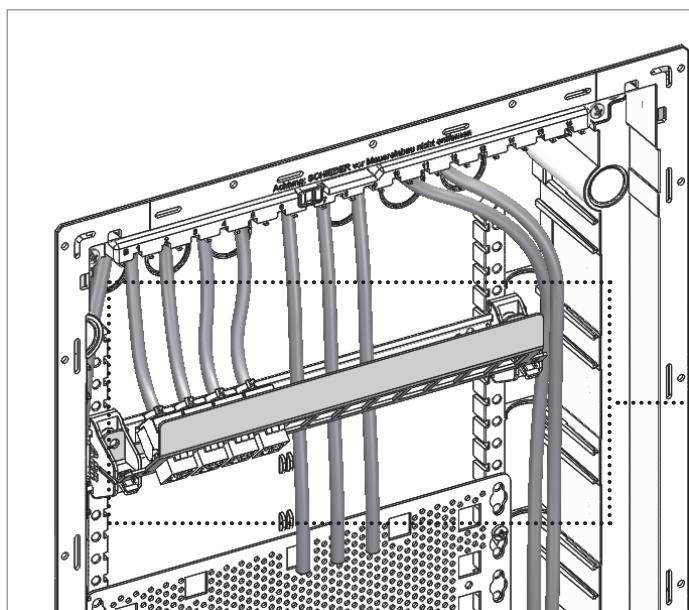
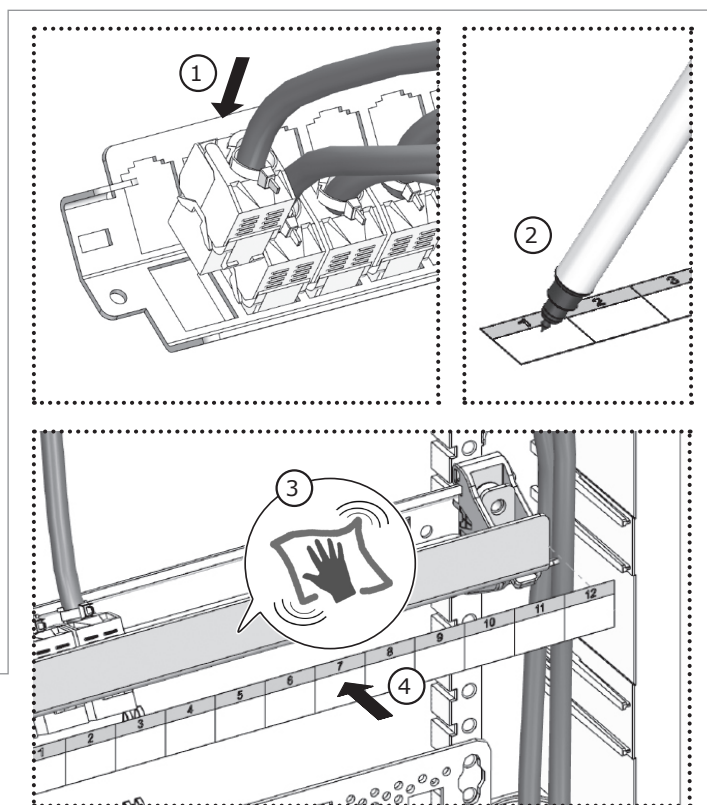
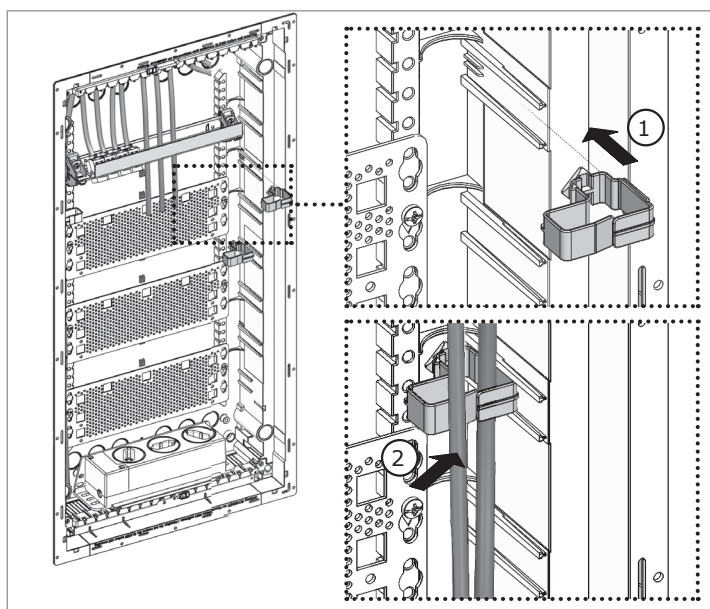
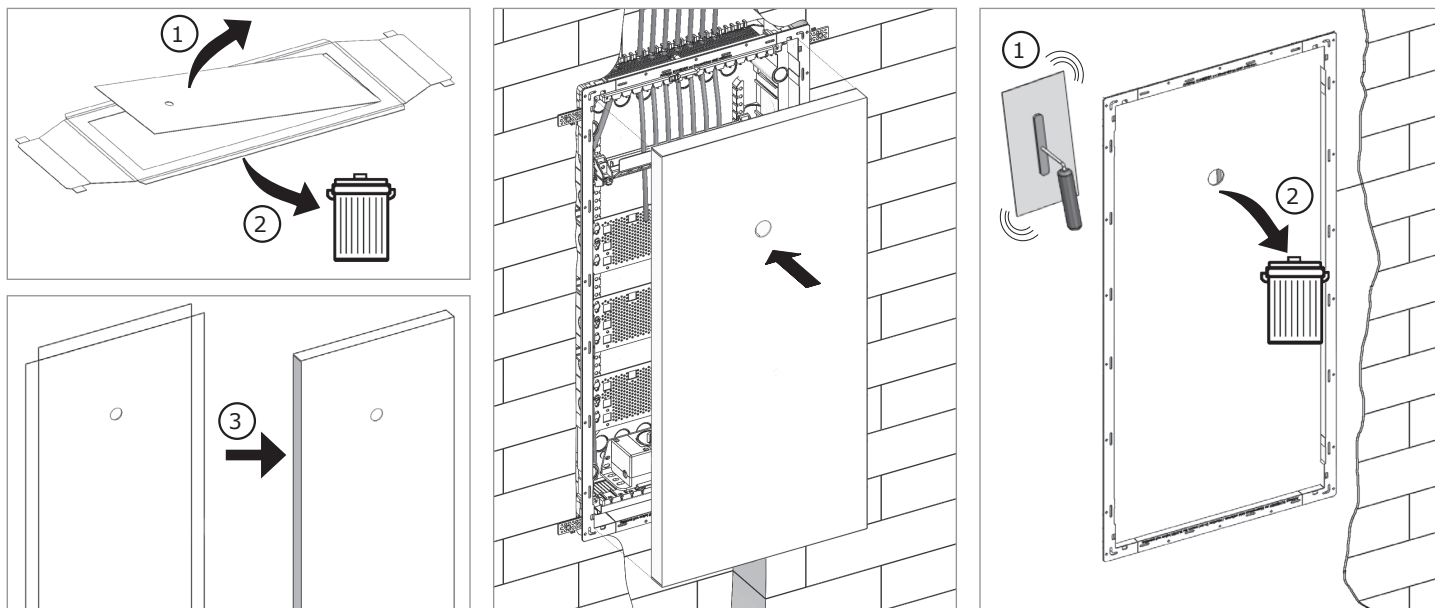
- | | | |
|---------|---------|------------|
| UK624MB | UK620MV | UK636MV/MW |
| UK636MB | UK630MV | UK648MV/MW |
| UK648MB | UK640MV | UK660MV/MW |
| UK660MB | UK650MV | |

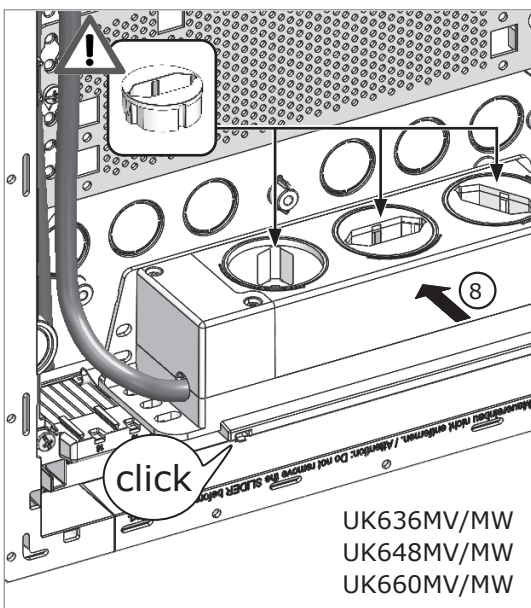
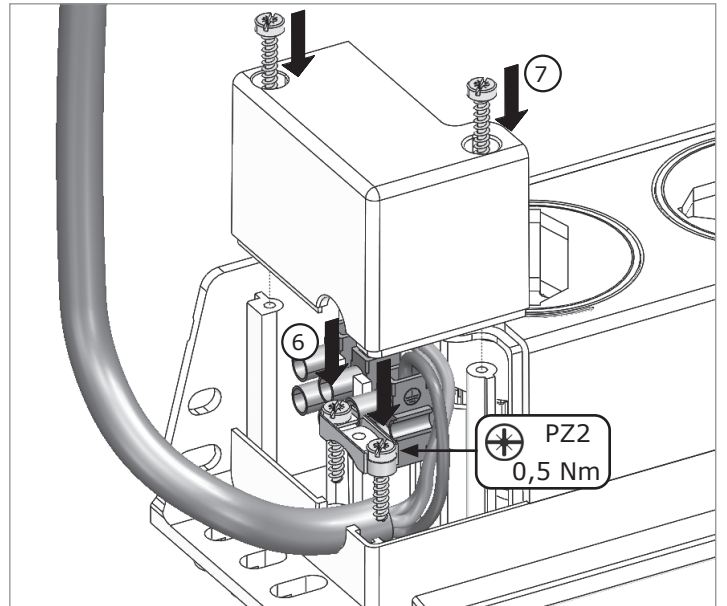
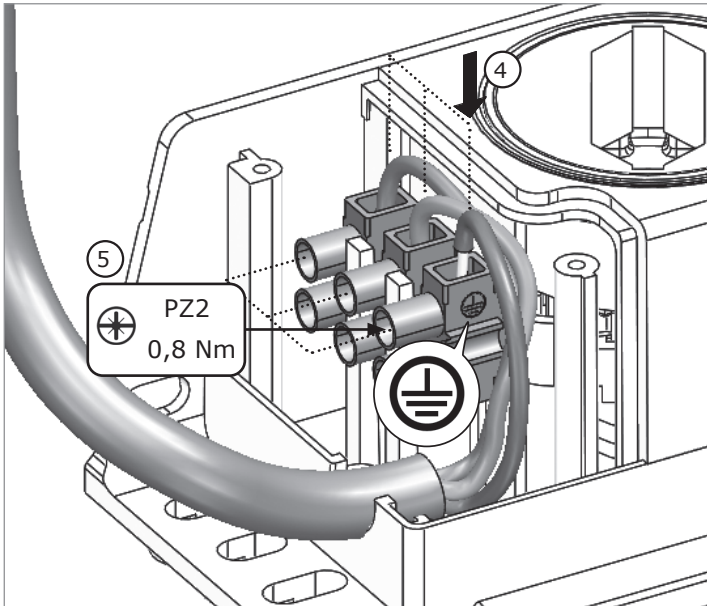
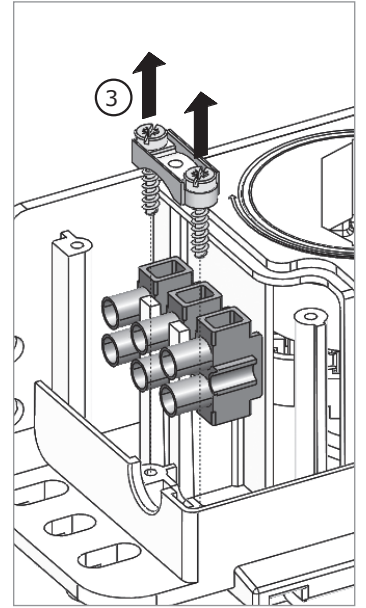
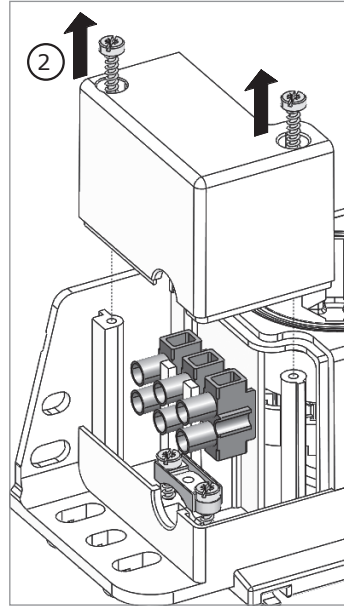
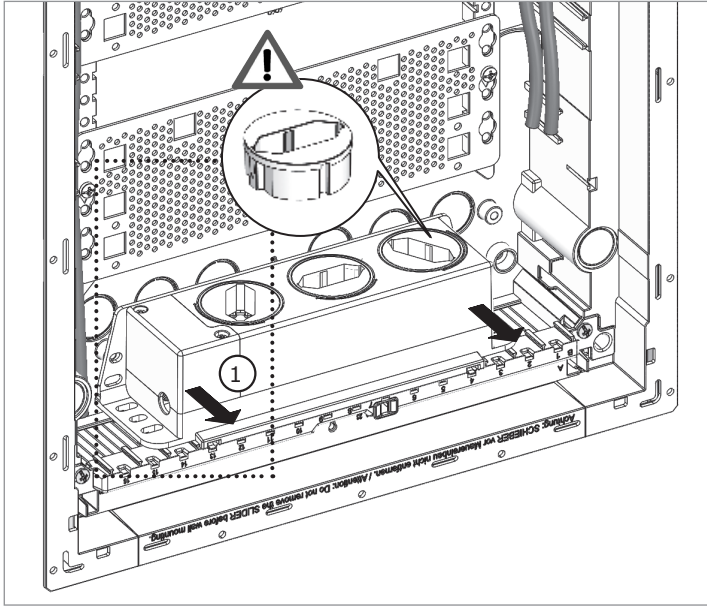


| Matchcode | Nischenmaß | | |
|-----------------|------------|-----|----|
| | H | B | T |
| UK636MV/MW/MB | 605 | 367 | 95 |
| UK648MV/MW/MB | 730 | 367 | 95 |
| UK660MV/MW/MB | 855 | 367 | 95 |
| UK620MV/UK624MB | 480 | 367 | 95 |
| UK630MV/UK636MB | 605 | 367 | 95 |
| UK640MV/UK648MB | 730 | 367 | 95 |
| UK650MV/UK660MB | 855 | 367 | 95 |

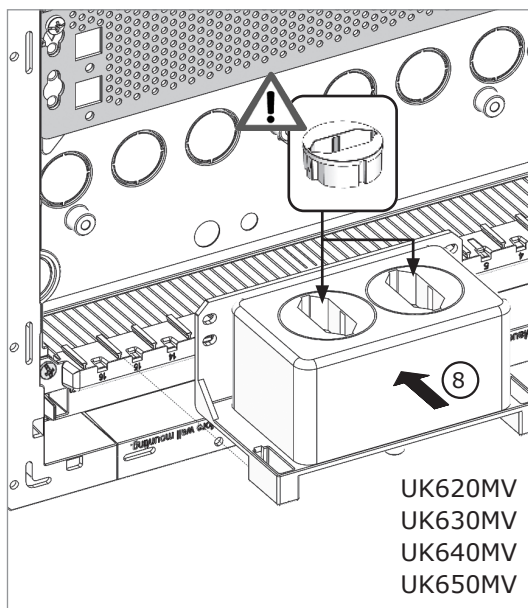








UK636MV/MW
UK648MV/MW
UK660MV/MW



UK620MV
UK630MV
UK640MV
UK650MV

