

wall mounting socket outlet, switched, interlocked - housing dimensions 260x160



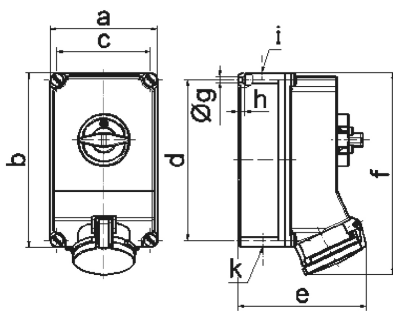
| Product description | |
|---------------------------|---|
| BALS-Prd.-Nr | 16933 |
| EAN | 4024941169332 |
| Product category | TE wall mounting socket outlet, switched, interlocked |
| Current | 63A |
| Number of poles | 4p |
| Arrangement of phases | 3P+PE |
| Position of earth contact | 9 h |
| Voltage | 200 - 250V~ |

| Product description | |
|------------------------|---|
| Frequency | 50/60Hz |
| Protection degree | IP44 |
| Colour code | blue RAL 5015 |
| Colour of appliance | Hinged lid blue RAL 5015, Housing bottom grey RAL 7035, Housing top grey RAL 7035, Housing screws grey RAL 7035, Control knob grey RAL 7035 |
| Connection design | screw terminal as box terminal with Kontex-contact |
| Maximum conductor size | 25.0 qmm |
| Cable entry | top entry M40 bottom entry M40/M32 |
| Height | 303mm |
| Width | 160mm |
| Depth | 185mm |
| Dimension of enclosure | 260x160 mm (HxW) |
| Material of enclosure | Polycarbonate |
| Contacts | The contact carrier is made of high temperature resistant material, the contacts are brass nickel plated |

| Additional technical properties | |
|---------------------------------|--|
| | The cable entry is one at top open and two at bottom closed |
| | In 0-position lockable for 4 padlocks with bow diameter up to 7 mm |

| Logistics data | |
|----------------|------------------|
| Weight/pcs | 2.105 kg / Piece |

| Logistics data | |
|----------------|---------------|
| Packaging | Carton |
| Content amount | 1 ST |
| EAN | 4024941169332 |
| Length | 325 mm |
| Width | 217 mm |
| Height | 210 mm |
| Weight | 2.321 kg |
| Volume | 13,588.4 ccm |



| Ampere Polzahl | 63 3 | 63 4 | 63 5 | | | |
|----------------|---------|---------|---------|--|--|--|
| a | 160,0 | 160,0 | 160,0 | | | |
| b | 260,0 | 260,0 | 260,0 | | | |
| c | 140,0 | 140,0 | 140,0 | | | |
| d | 240,0 | 240,0 | 240,0 | | | |
| e | 184,0 | 184,0 | 184,0 | | | |
| f | 302,0 | 302,0 | 302,0 | | | |
| g ø | 8,1 | 8,1 | 8,1 | | | |
| h | 10,0 | 10,0 | 10,0 | | | |
| i | M40 | M40 | M40 | | | |
| k | M32/40 | M32/40 | M32/40 | | | |
| | | | | | | |
| | | | | | | |

12 MB 30