

## wall mounting socket outlet, switched and fused - housing dimensions 365x134, with C-type MCB and RCCB

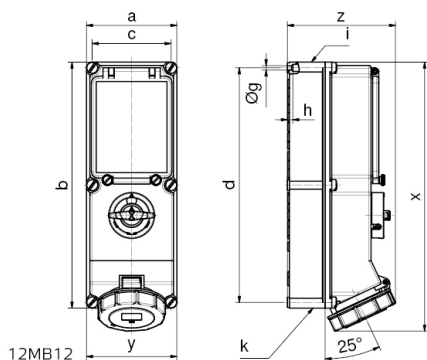


Product description	
BALS-Prd.-Nr	17312
EAN	4024941173124
Product category	Wall mounting socket outlet, switched, fused
Current	32A
Number of poles	5p
Arrangement of phases	3p+N+PE
Position of earth contact	6 h
Voltage	200/346 - 240/415V~

Product description	
Frequency	50/60Hz
Protection degree	IP67
Colour code	red RAL 3000
Colour of appliance	Hinged lid red RAL 3000, Housing bottom grey RAL 7035, Housing top grey RAL 7035, Housing screws grey RAL 7035, Control knob grey RAL 7035, Operating window smoky topaz, Bayonet ring grey RAL 7035
Connection design	screwless spring terminals with Kontex-Kontakt
Maximum conductor size	10,0 qmm
Cable entry	top entry M40/M32 bottom entry M40/32
Height	400mm
Width	134mm
Depth	161mm
Dimension of enclosure	365x134 mm (HxW)
Material of enclosure	Polycarbonate
Contacts	the contacts are brass nickel plated, The contact carrier is made of high temperature resistant material

Additional technical properties	
	cable entry two at top and two at bottom (open)
	In 0-position lockable for 3 padlocks with bow diameter up to 7 mm
	With 4 pole 40/0.03A RCCB, With 3 pole C-type MCB

Logistics data	
Weight/pcs	2.694 kg / Piece
Packaging	Carton
Content amount	1 ST
EAN	4024941173124
Length	387 mm
Width	222 mm
Height	150 mm
Weight	2.889 kg
Volume	11,029.5 ccm



Ampere Poles	16 4	16 5	32 4	32 5	63 4	63 5
a	134	134	134	134	180	180
b	365	365	365	365	460	460
c	117	117	117	117	160	460
d	348	348	348	348	440	440
Øg	6,5	6,5	6,5	6,5	8,3	8,3
h	8	8	8	8	6,5	6,5
i	M32/25	M32/25	M40/32	M40/32	M40	M40
k	M32/25	M32/25	M40/32	M40/32	M40/32	M40/32
x	390	390	400	400	503	503
y	134	134	134	134	180	180
z	153	153	154	161	192	192