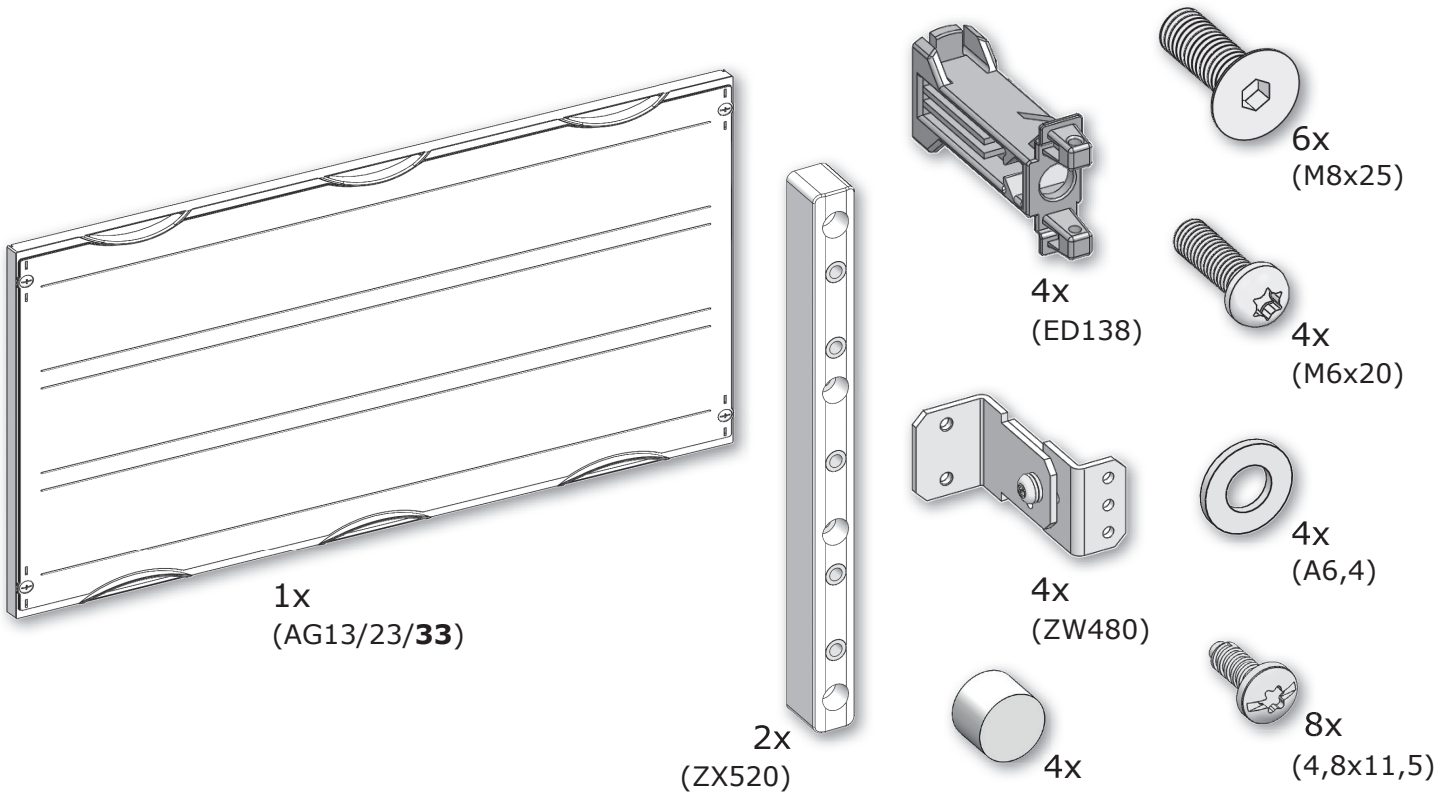


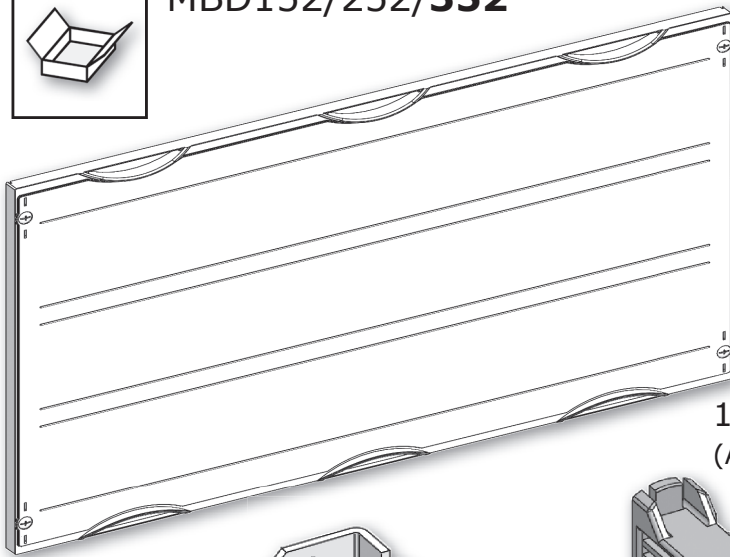
(MBD152/252/352)



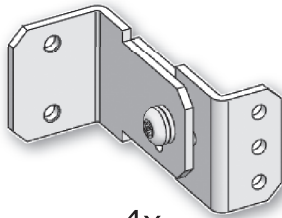
|  |  |  |                                |
|--|--|--|--------------------------------|
|  |  |  | <p>www.striebelundjohn.com</p> |
|--|--|--|--------------------------------|



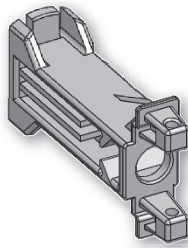
**MBD152/252/352**



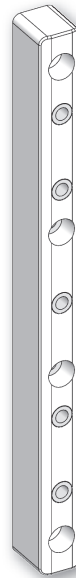
1x  
(AG13/23/33)



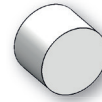
4x  
(ZW480)



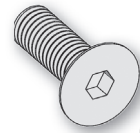
4x  
(ED138)



2x  
(ZX520)



4x



6x  
(M8x25)



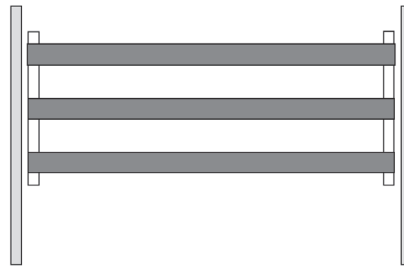
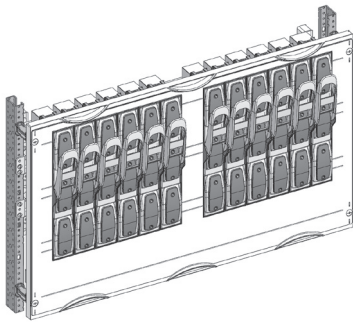
4x  
(M6x20)



4x  
(A6,4)



8x  
(4,8x11,5)



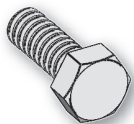
**A**



6-11



(TwinLine / TriLine / pro E power)



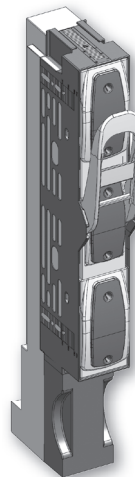
3x  
(M8x20)



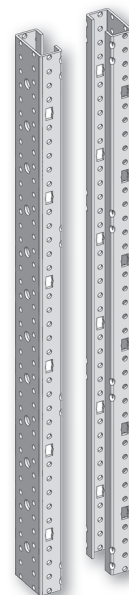
3x  
DIN6769-8-FSt



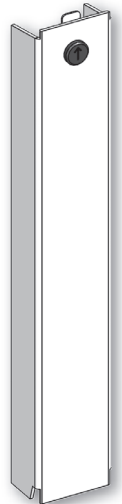
3x  
(Cu)



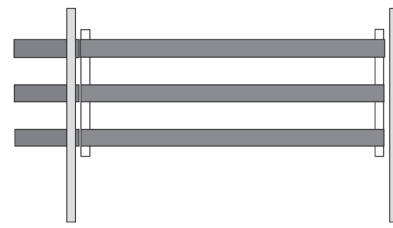
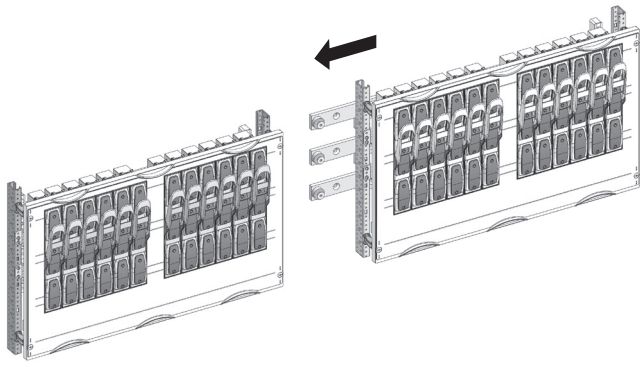
max. 12x  
(ZLBM00-100)



(WR/EDF)



(ZX964)



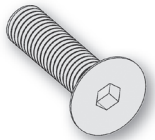
**B**



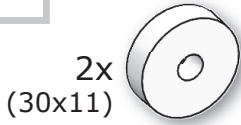
12-18



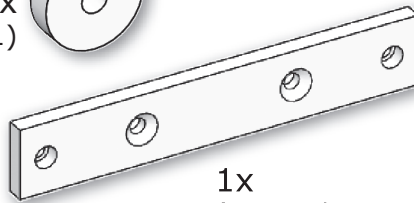
**ZX1216 / ZX1217 (3x/6x)**  
(TwinLine / TriLine / pro E power)



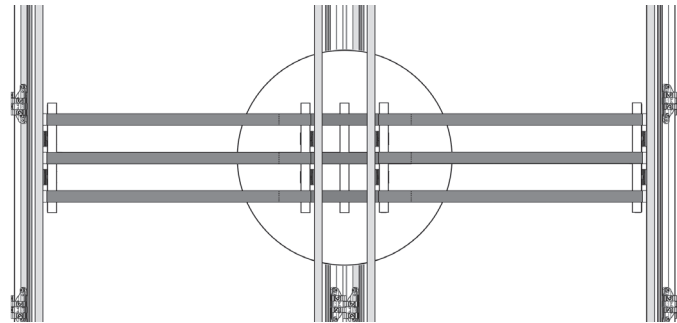
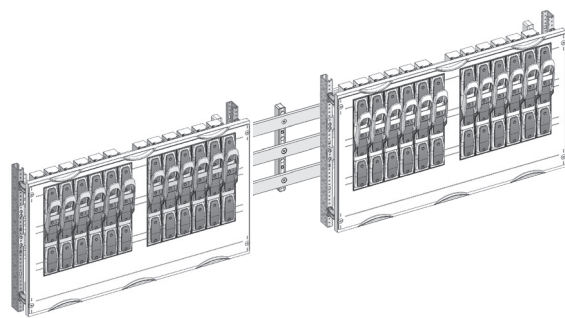
2x  
(M10x40)



2x  
(30x11)



1x  
(Cu 30/40x230)



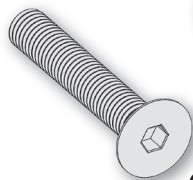
**C**



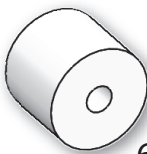
18-19



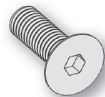
**ZX2216P3 / ..17P3 (TriLine)**  
**ZX2218P3 / ..19P3 (pro E power)**



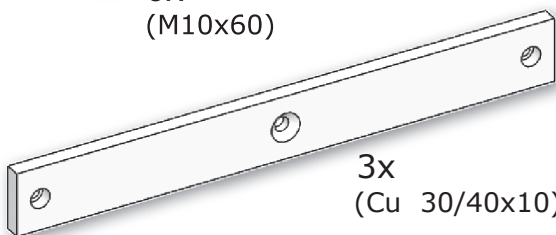
6x  
(M10x60)



6x  
(30x33)



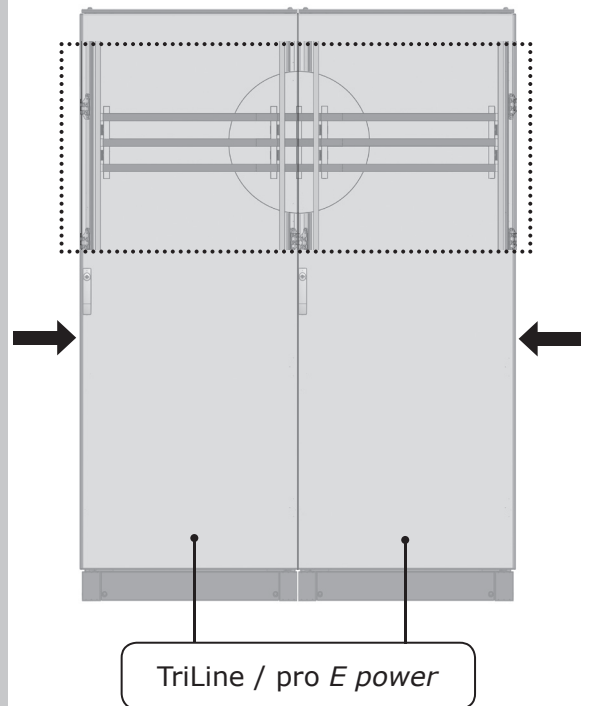
3x  
(M8x25)



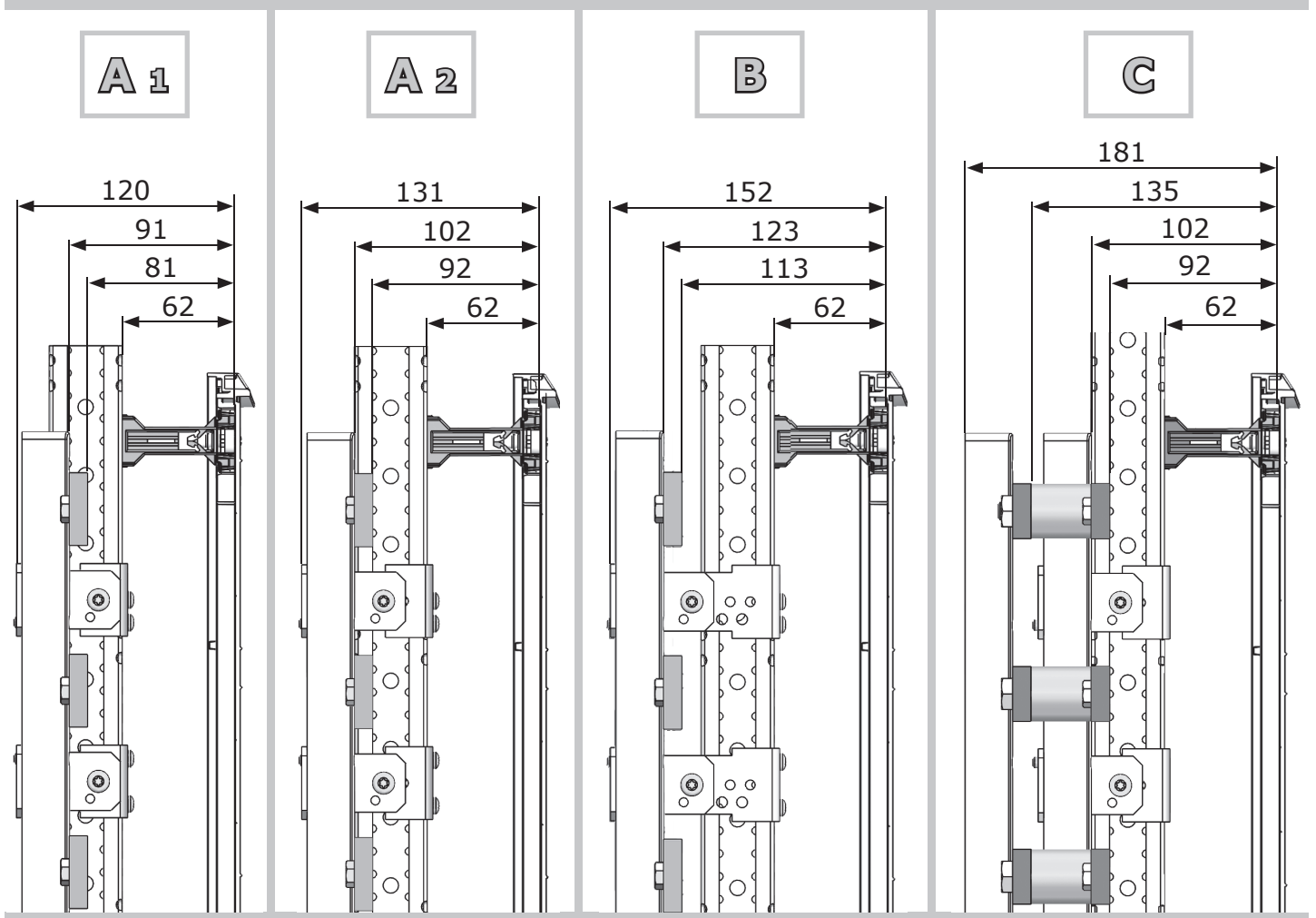
3x  
(Cu 30/40x10)


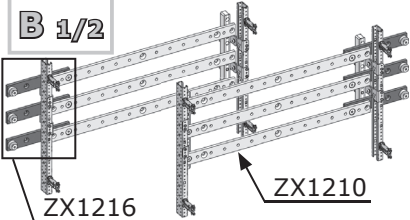
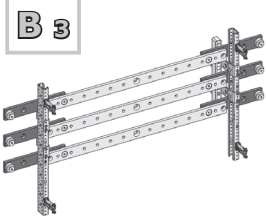


1x  
(ZX520)



|   |           |           |           |
|---|-----------|-----------|-----------|
| <p>Position →</p> <p>T30<br/>6 Nm</p>   | <p>1</p>  | <p>2</p>  | <p>3</p>  |
| <p><b>A 1</b></p> <p>WÖHNER 33235</p>   | <p>4x</p> |           |           |
| <p><b>A 2</b></p> <p>ABB: ZLBM00-100<br/>JEAN MÜLLER: SL00-3x3 100<br/>EATON: GTL00, GTLS00<br/>JUNG: LLSB300/100</p> |           | <p>4x</p> |           |
| <p><b>B 1</b></p>   |           | <p>2x</p> | <p>2x</p> |
| <p><b>B 2</b></p>   |           | <p>2x</p> | <p>2x</p> |
| <p><b>B 3</b></p>   |           |           | <p>4x</p> |
| <p><b>C</b></p>   |           | <p>4x</p> |           |

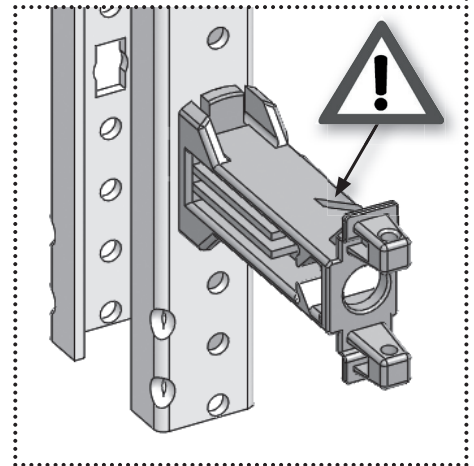
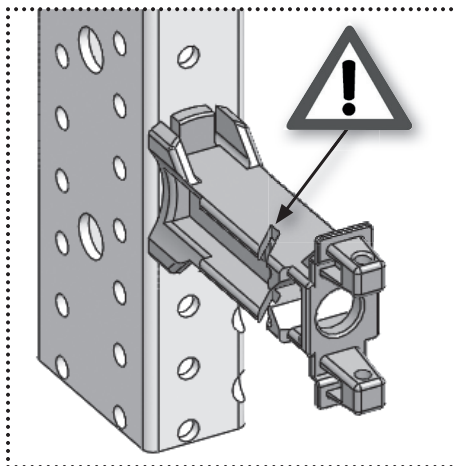
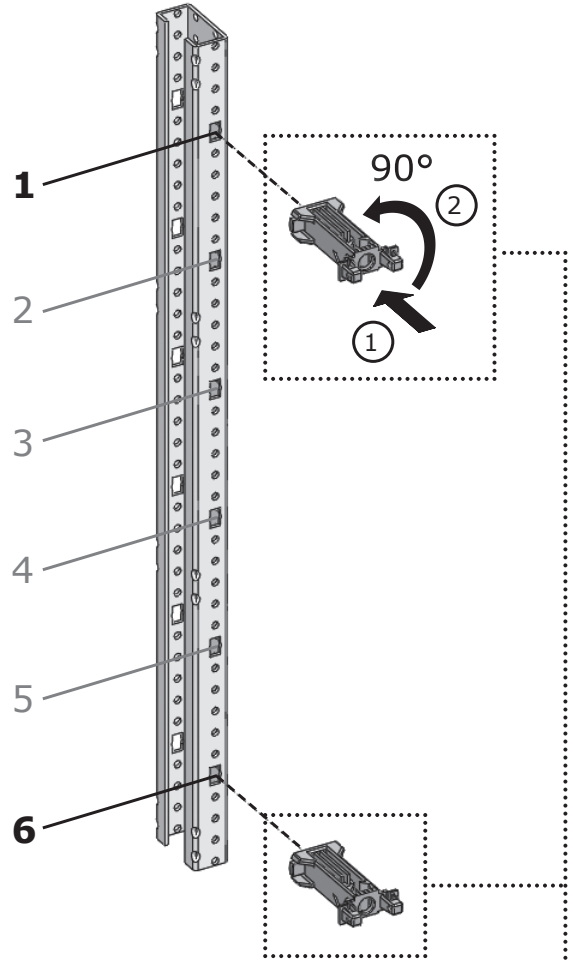
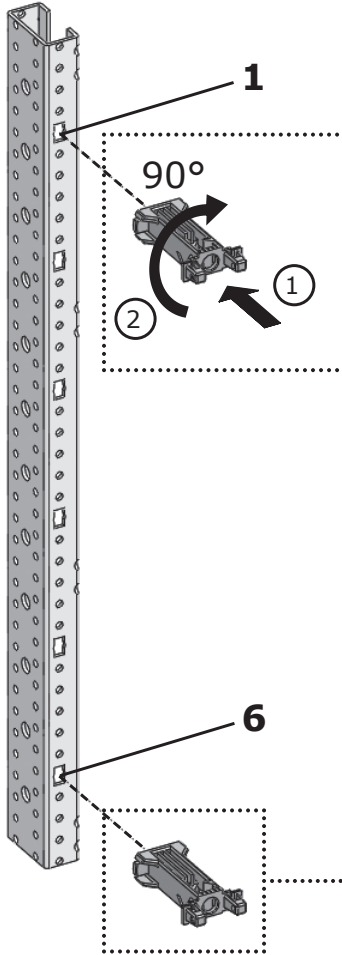


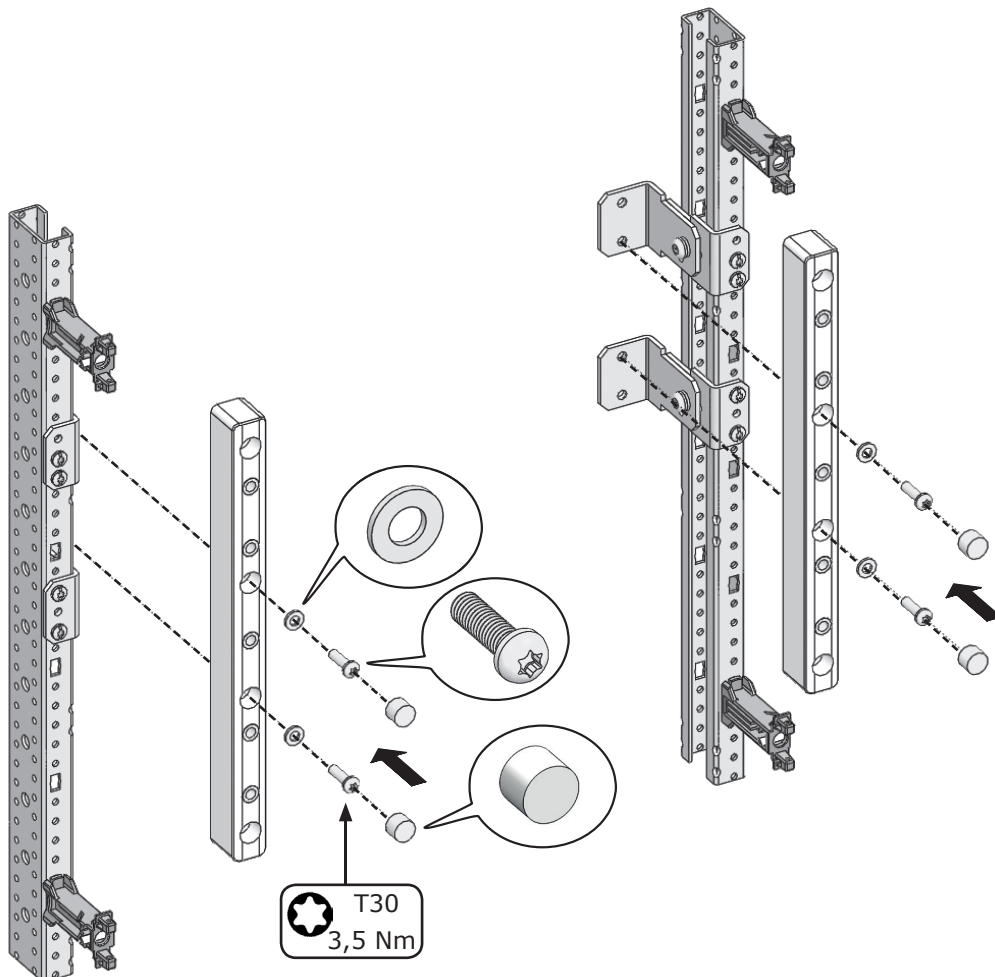
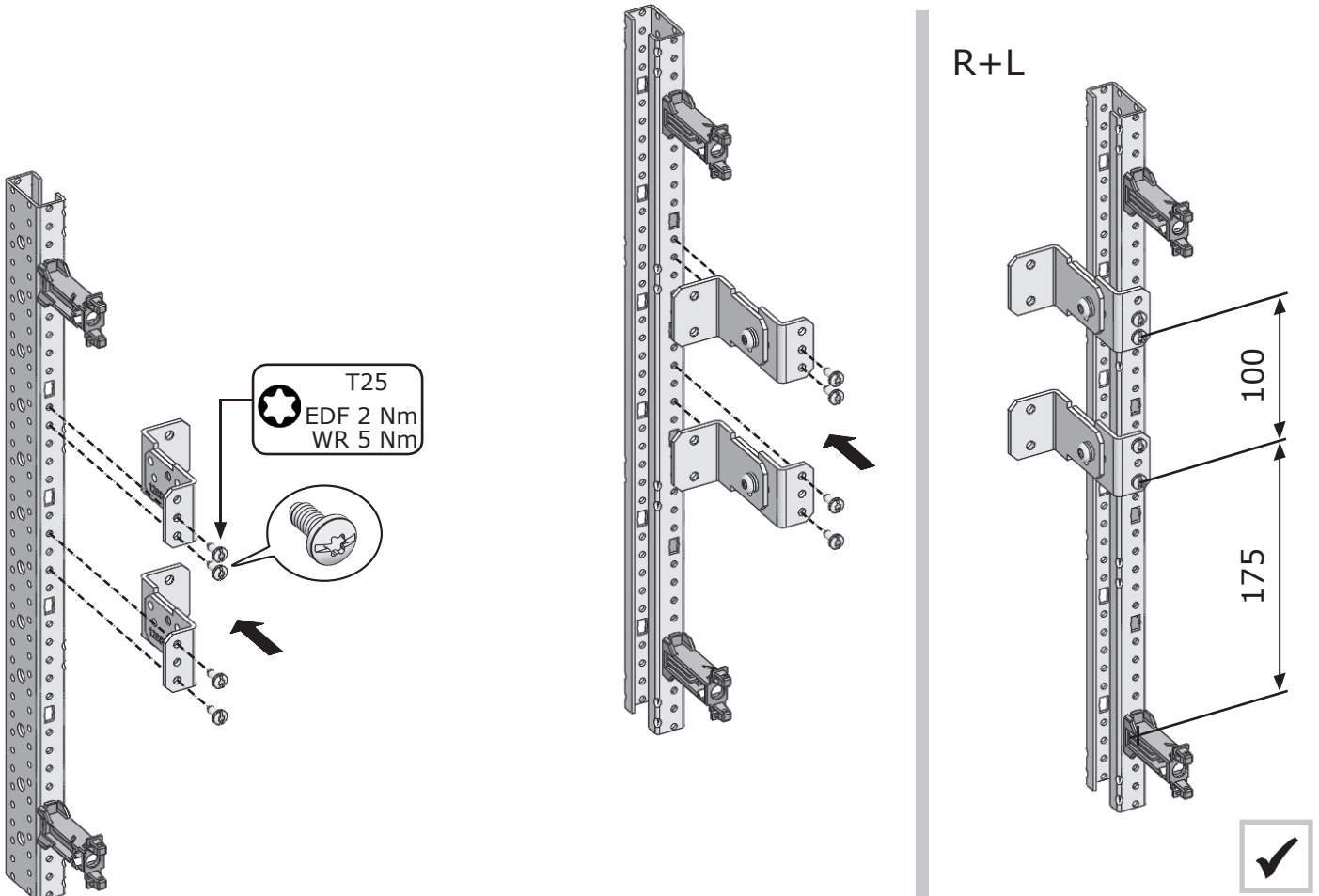
|  | <b>Cu</b> | <b>B 1/2</b>  | <b>B 3</b>   | <b>C</b>                   |                            |
|---|-----------|---|--|----------------------------|----------------------------|
|   |           |  |  | <b>TriLine</b>             | <b>pro E power</b>         |
| <b>MBD152</b>   | 30x10     | 3 x ZX1210<br>3 x ZX1216  | 3 x ZX1210<br>6 x ZX1216   | 6 x ZX1210<br>1 x ZX2216P3 | 6 x ZX1210<br>1 x ZX2218P3 |
|   | 40x10     | 3 x ZX1213<br>3 x ZX1217  | 3 x ZX1213<br>6 x ZX1217   | 6 x ZX1213<br>1 x ZX2217P3 | 6 x ZX1213<br>1 x ZX2219P3 |
| <b>MBD252</b>   | 30x10     | 3 x ZX1211<br>3 x ZX1216  | 3 x ZX1211<br>6 x ZX1216   | 6 x ZX1211<br>1 x ZX2216P3 | 6 x ZX1211<br>1 x ZX2218P3 |
|   | 40x10     | 3 x ZX1214<br>3 x ZX1217  | 3 x ZX1214<br>6 x ZX1217   | 6 x ZX1214<br>1 x ZX2217P3 | 6 x ZX1214<br>1 x ZX2219P3 |
| <b>MBD352</b>   | 30x10     | 3 x ZX1212<br>3 x ZX1216  | 3 x ZX1212<br>6 x ZX1216   | 6 x ZX1212<br>1 x ZX2216P3 | 6 x ZX1212<br>1 x ZX2218P3 |
|   | 40x10     | 3 x ZX1215<br>3 x ZX1217  | 3 x ZX1215<br>6 x ZX1217   | 6 x ZX1215<br>1 x ZX2217P3 | 6 x ZX1215<br>1 x ZX2219P3 |

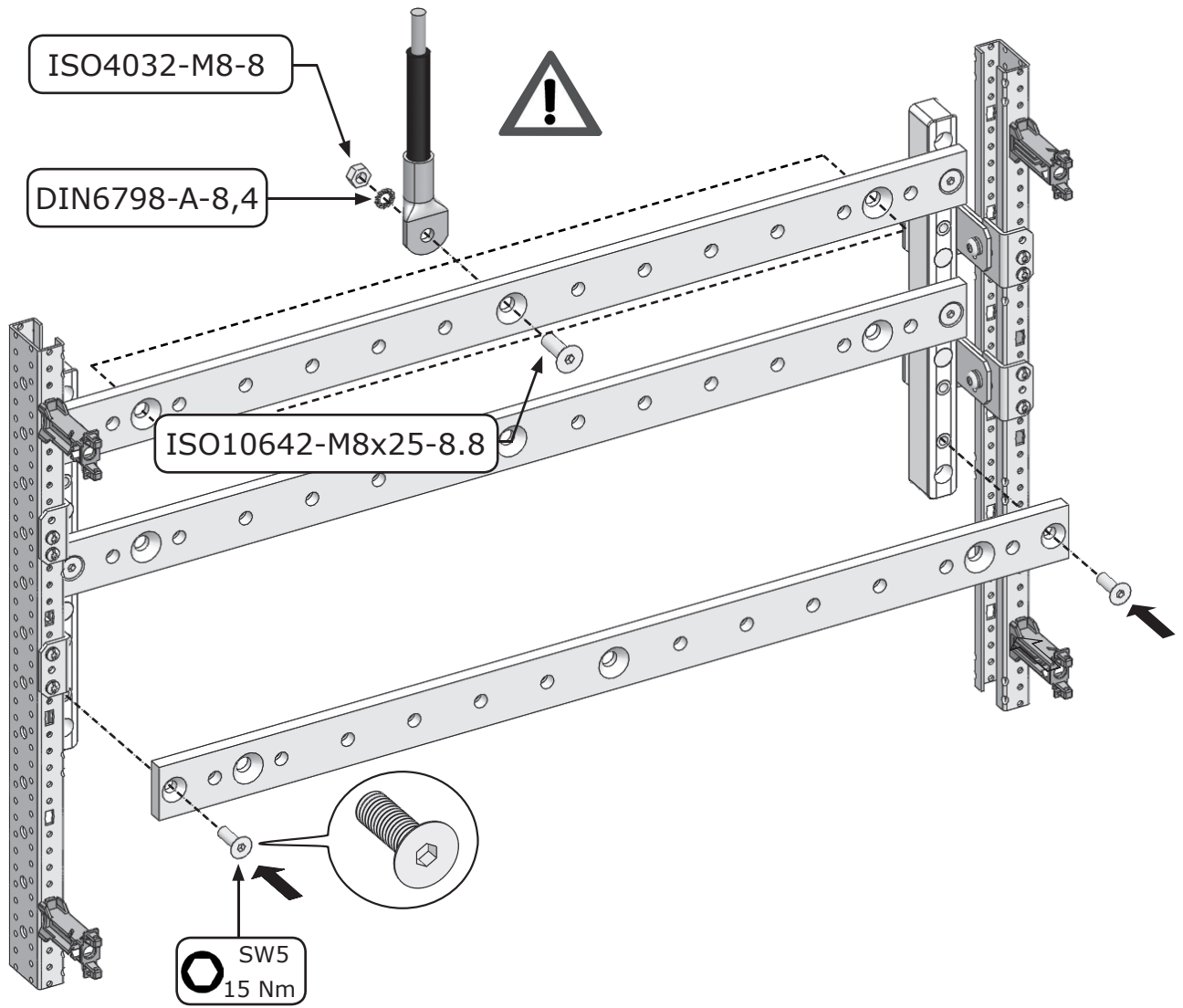
A


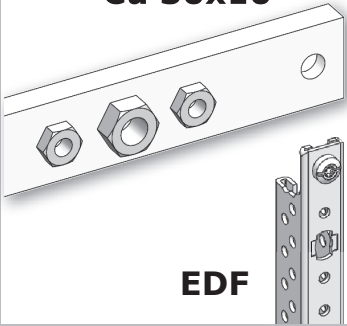
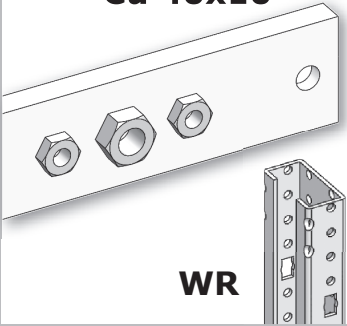


6-11

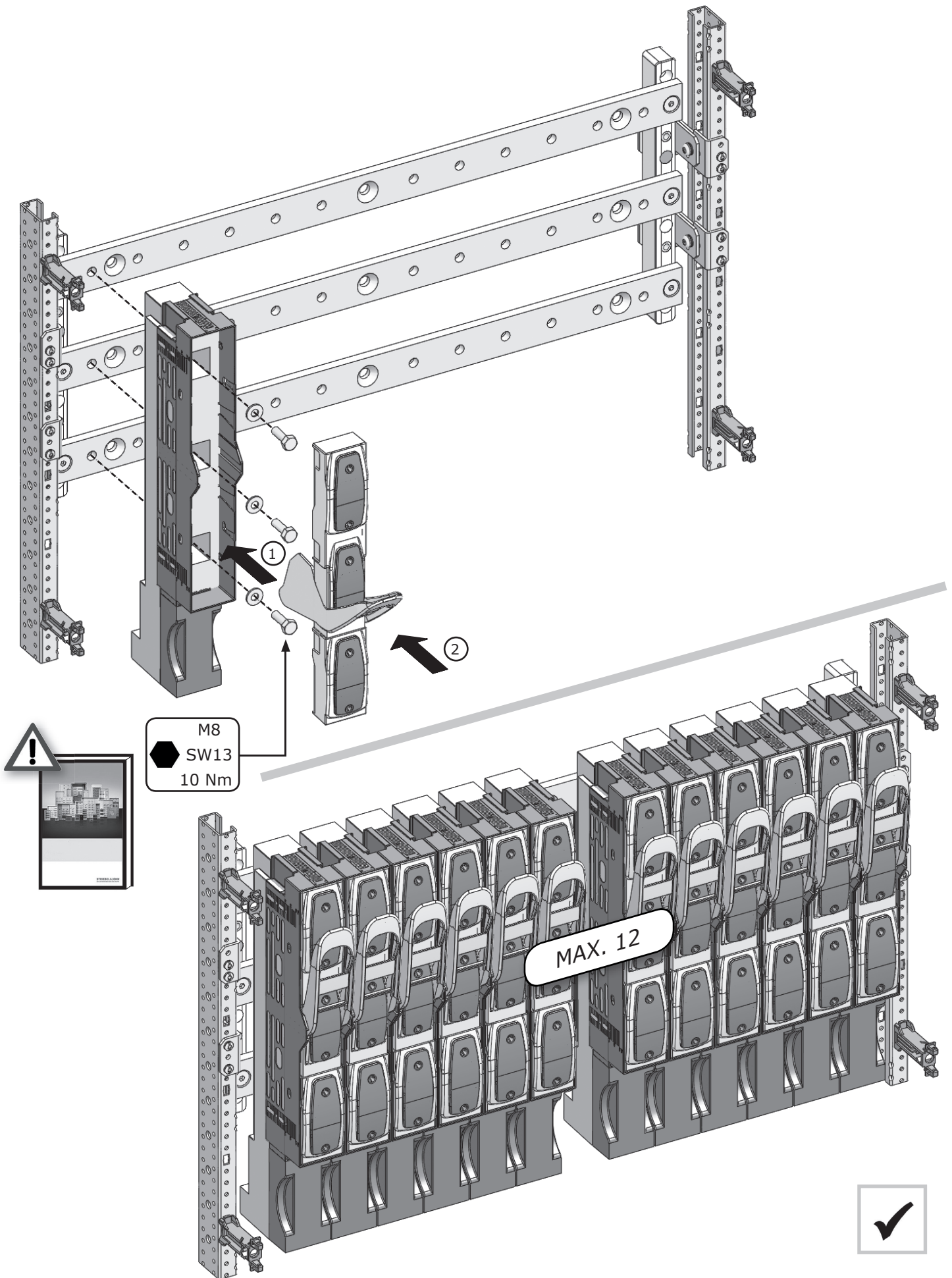


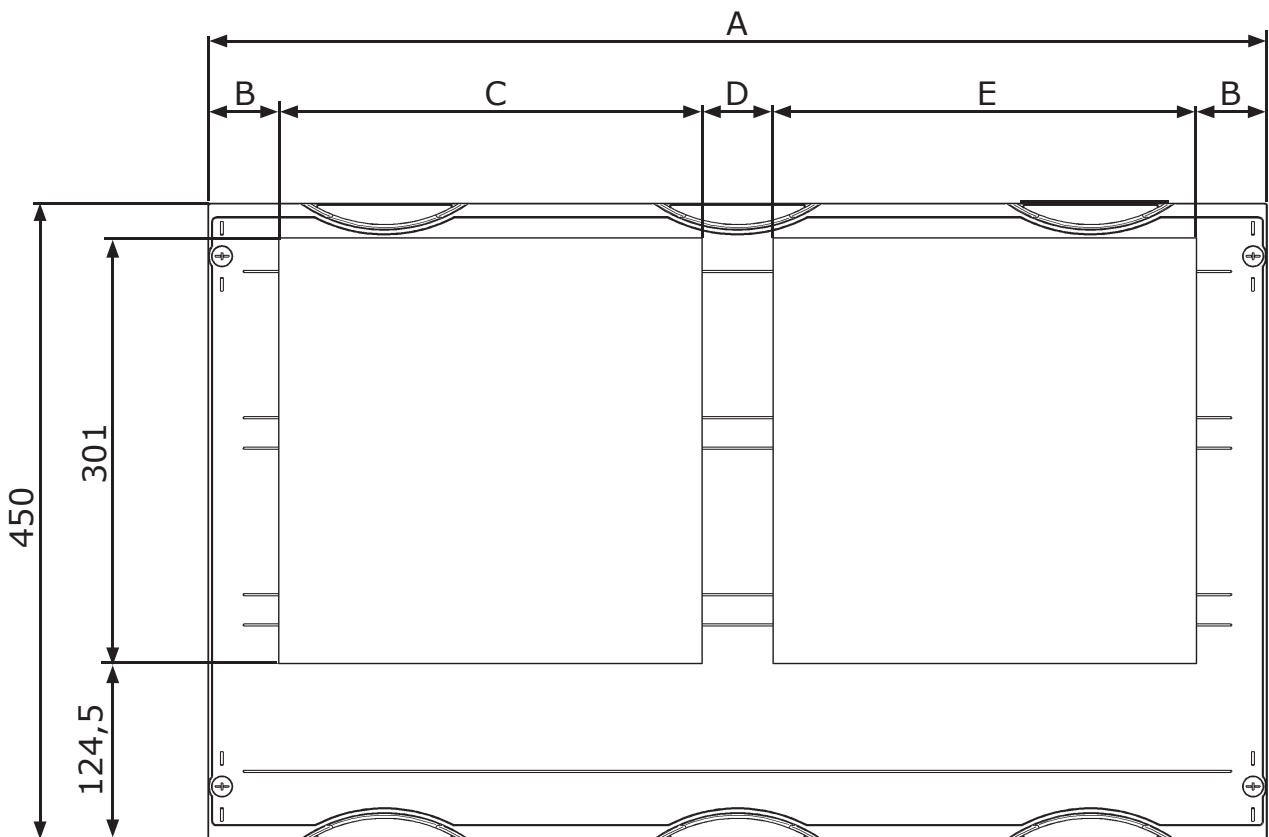
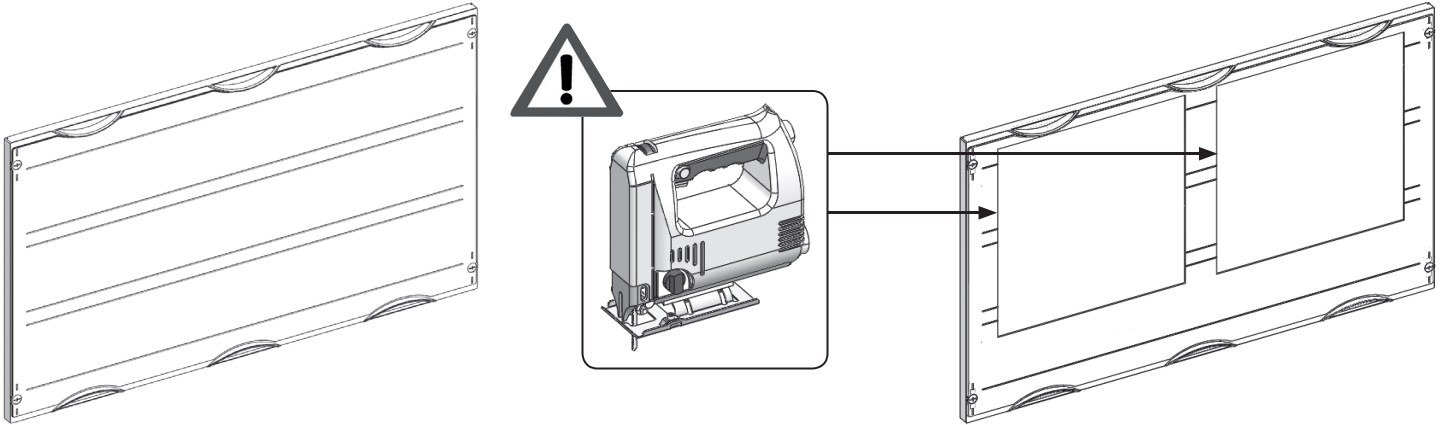




|   | <b>Cu 30x10</b>   | <b>Cu 40x10</b>   |
|---|---|---|
|  | <br><b>EDF</b> | <br><b>WR</b> |
| MBD152  | ZX1210  | ZX1213  |
| MBD252  | ZX1211  | ZX1214  |
| MBD352  | ZX1212  | ZX1215  |



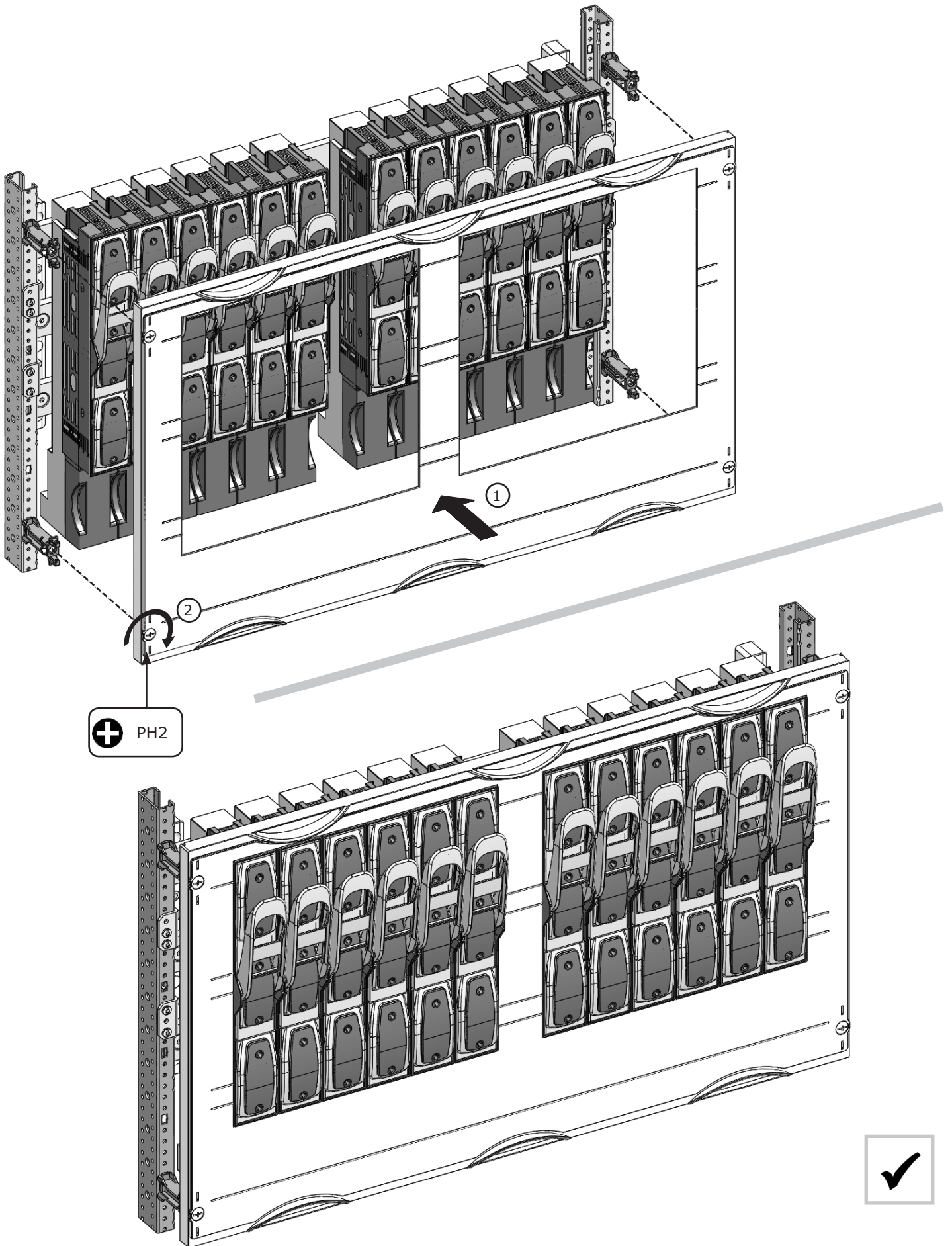




|        | <b>Type</b> | <b>A</b> | <b>B</b> | <b>C</b> | <b>D</b> | <b>E</b> |
|--------|-------------|----------|----------|----------|----------|----------|
| MBD152 | AG13        | 250      | 50       | 150      | -        | -        |
| MBD252 | AG23        | 500      | 50       | 400      | -        | -        |
| MBD352 | AG33        | 750      | 50       | 300      | 50       | 300      |



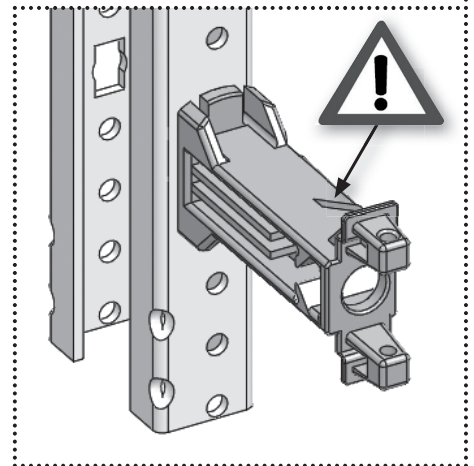
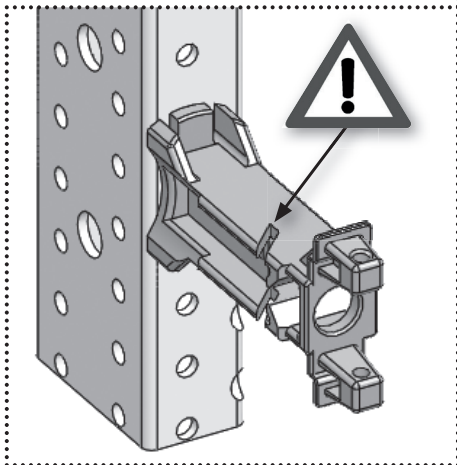
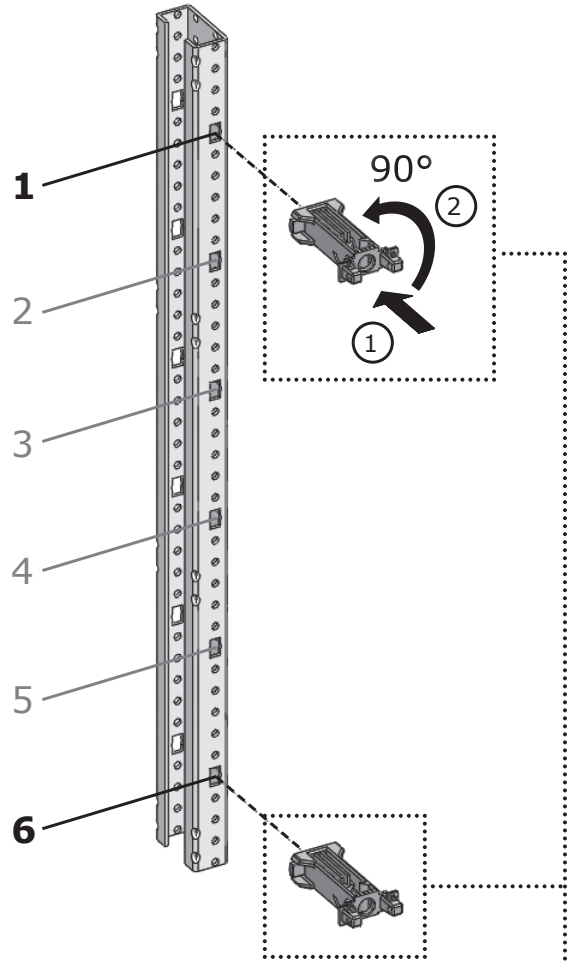
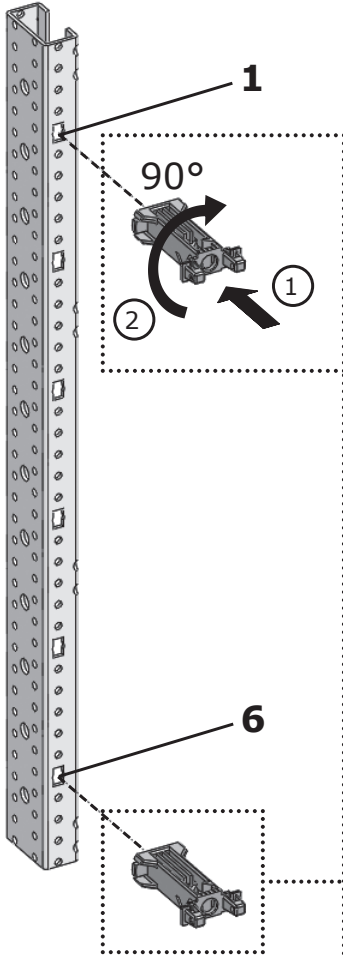
Attention only compatible with ABB Inline II ZLBM00-100



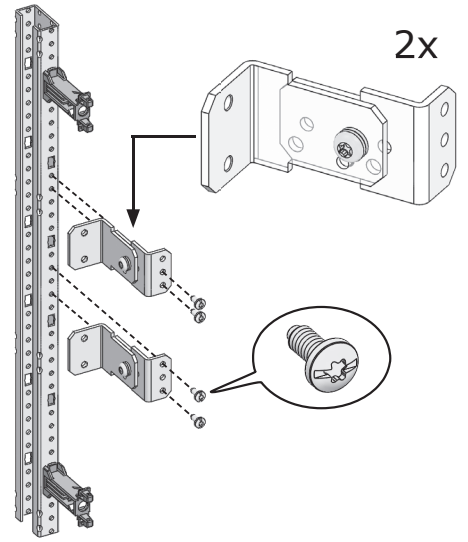
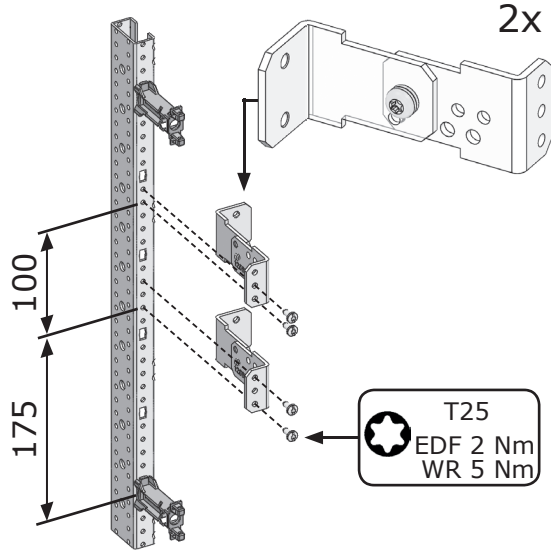
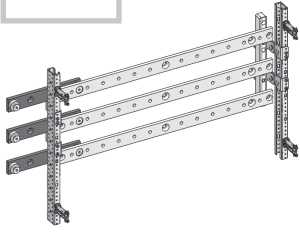
B



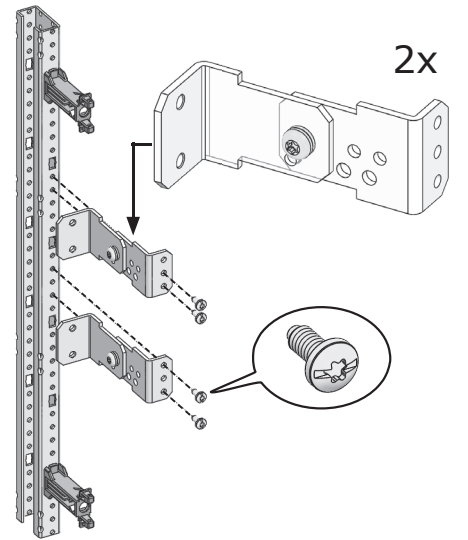
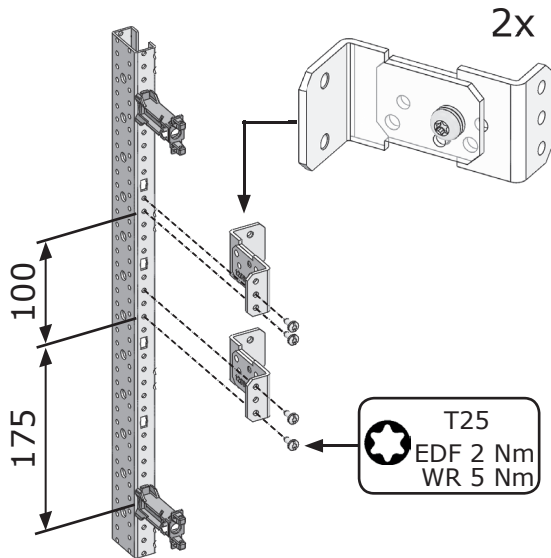
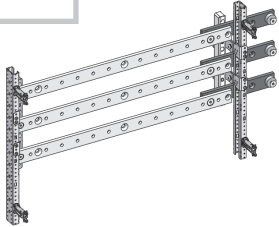
12-18



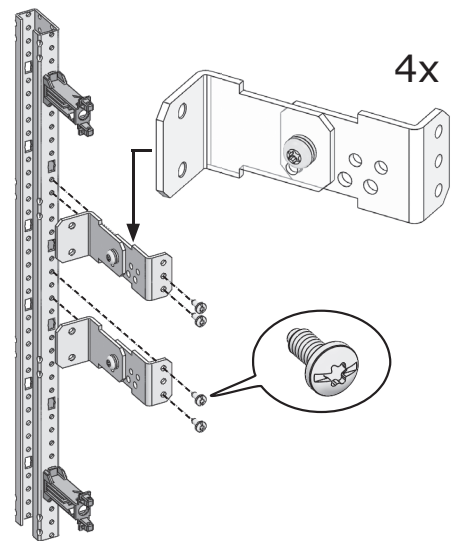
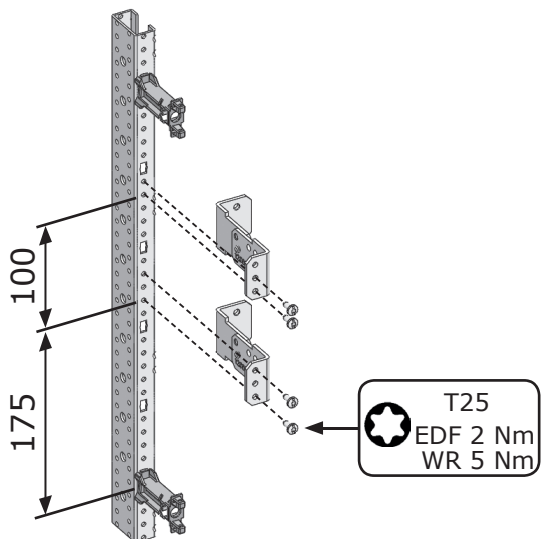
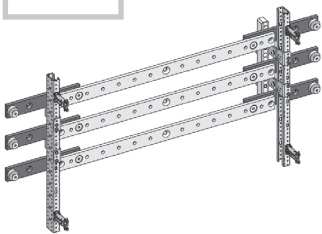
**B 1**

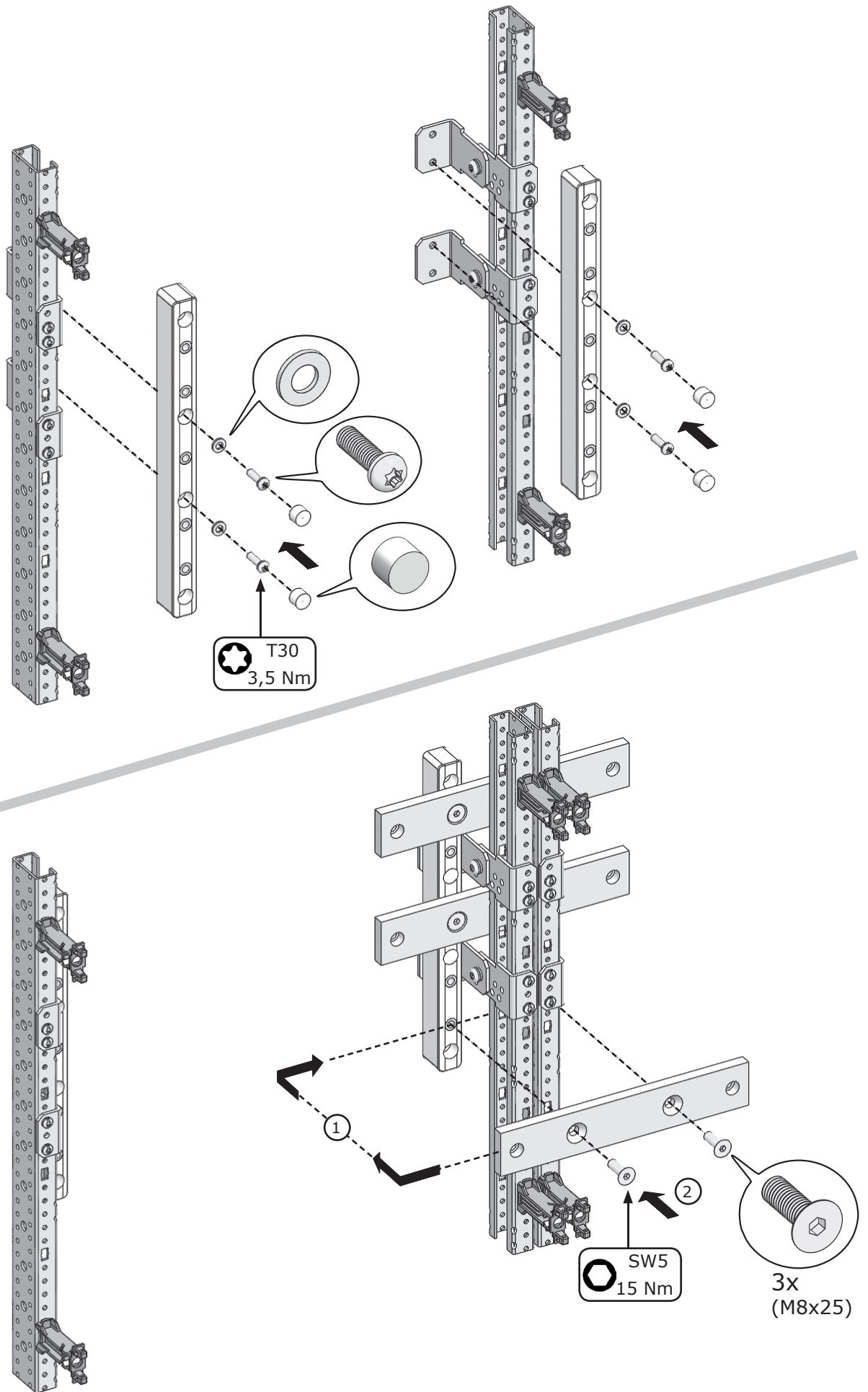


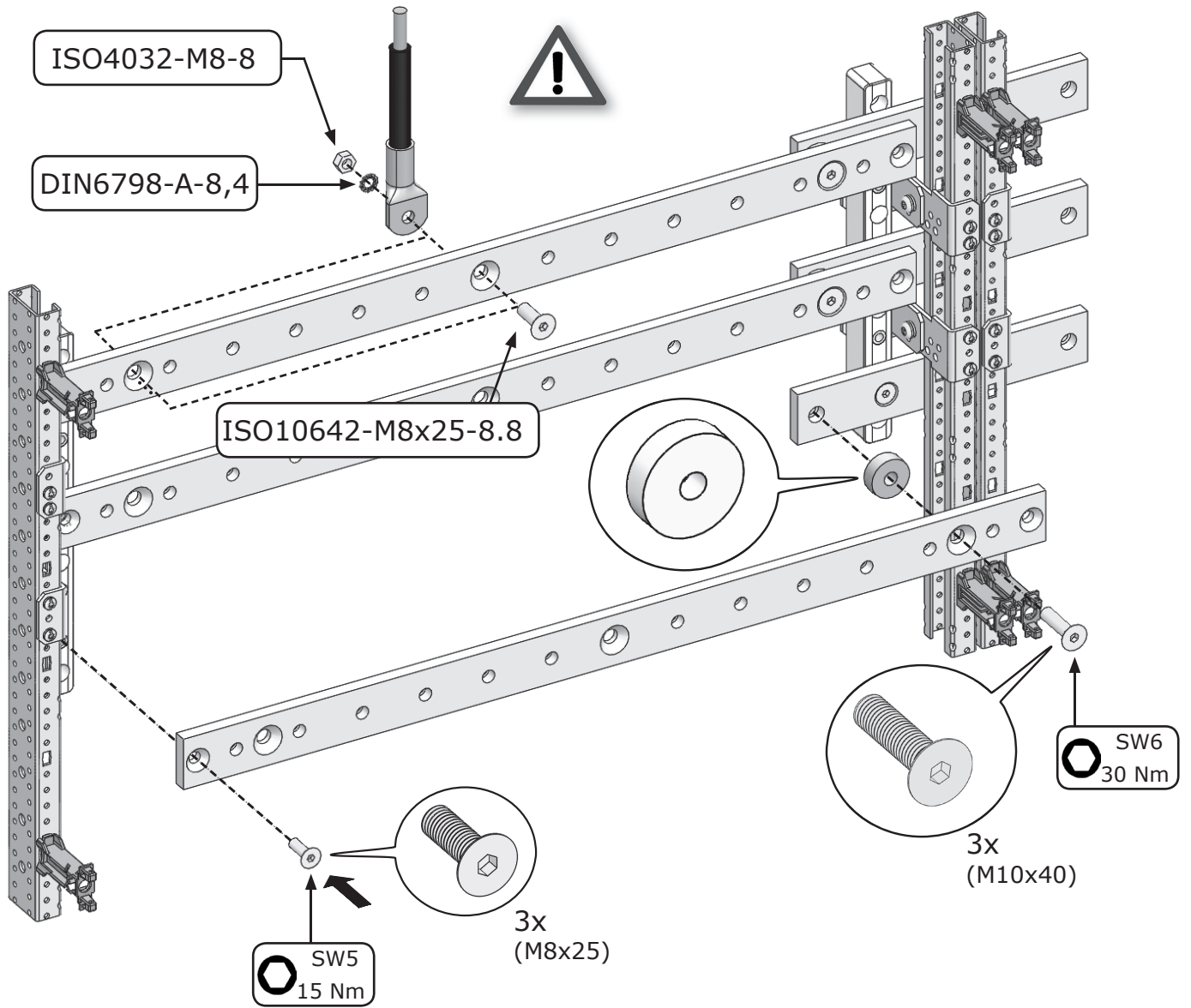
**B 2**


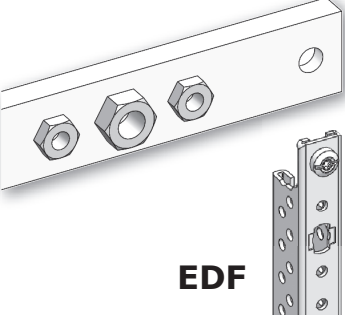
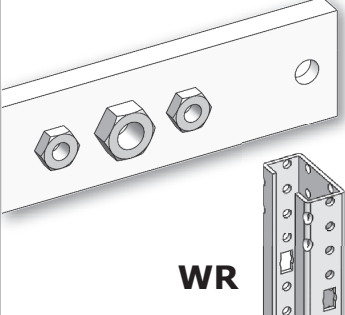


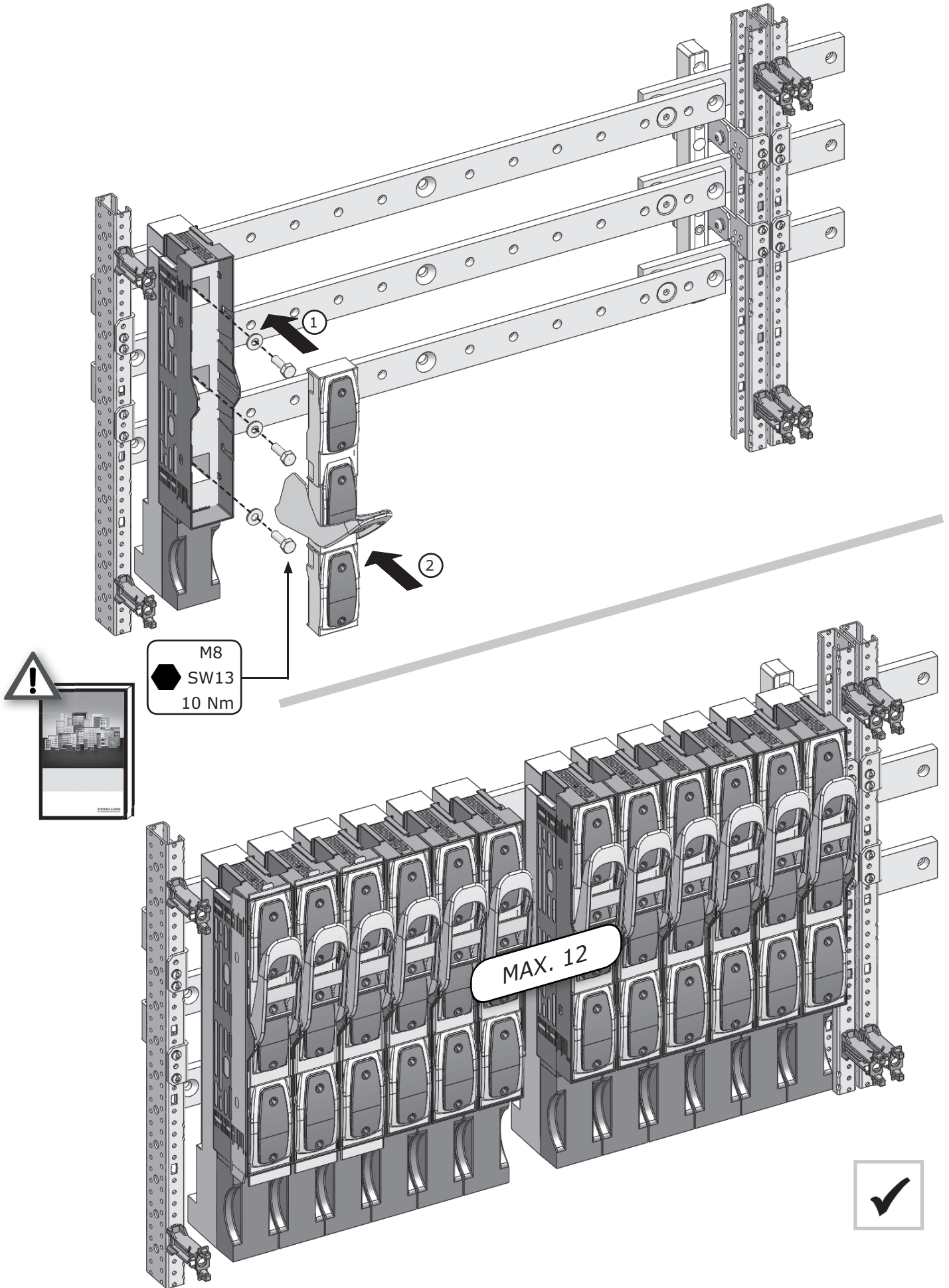
**B 3**



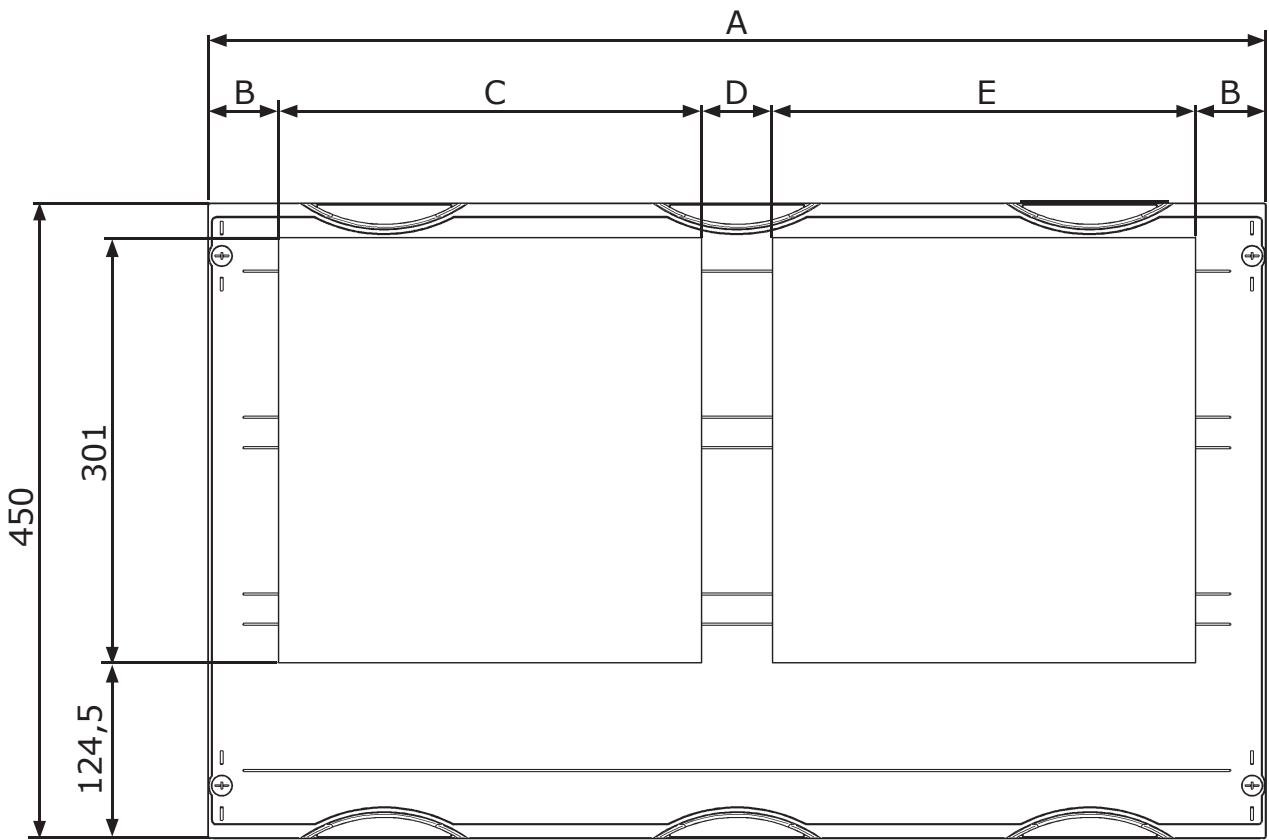
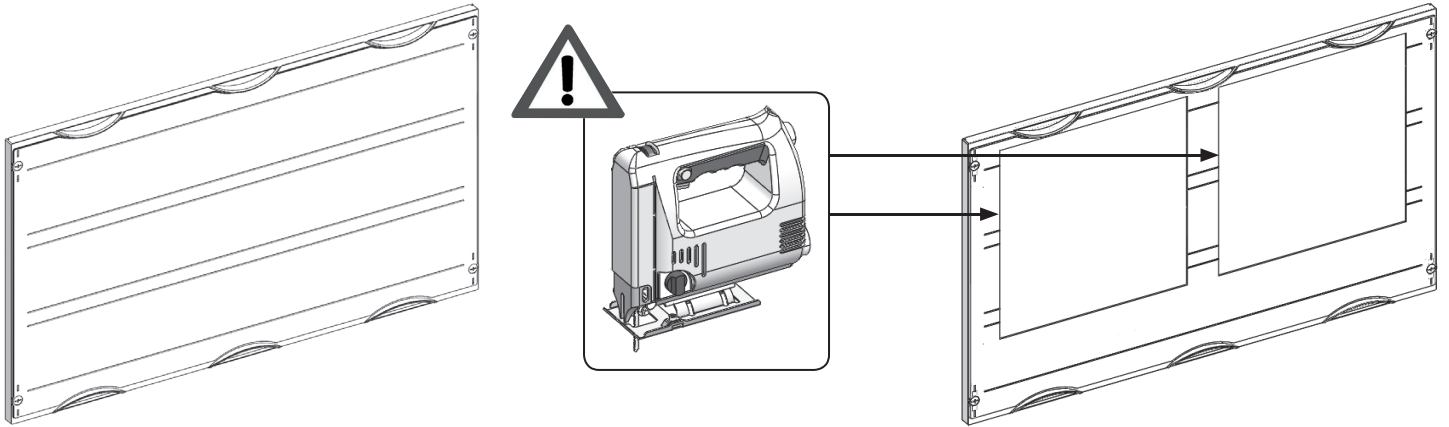




|   | <b>Cu 30x10</b>   | <b>Cu 40x10</b>  |
|---|---|--|
|  |  |  |
|   | <b>EDF</b>  | <b>WR</b>  |
| MBD152  | ZX1210  | ZX1213   |
| MBD252  | ZX1211  | ZX1214   |
| MBD352  | ZX1212  | ZX1215   |



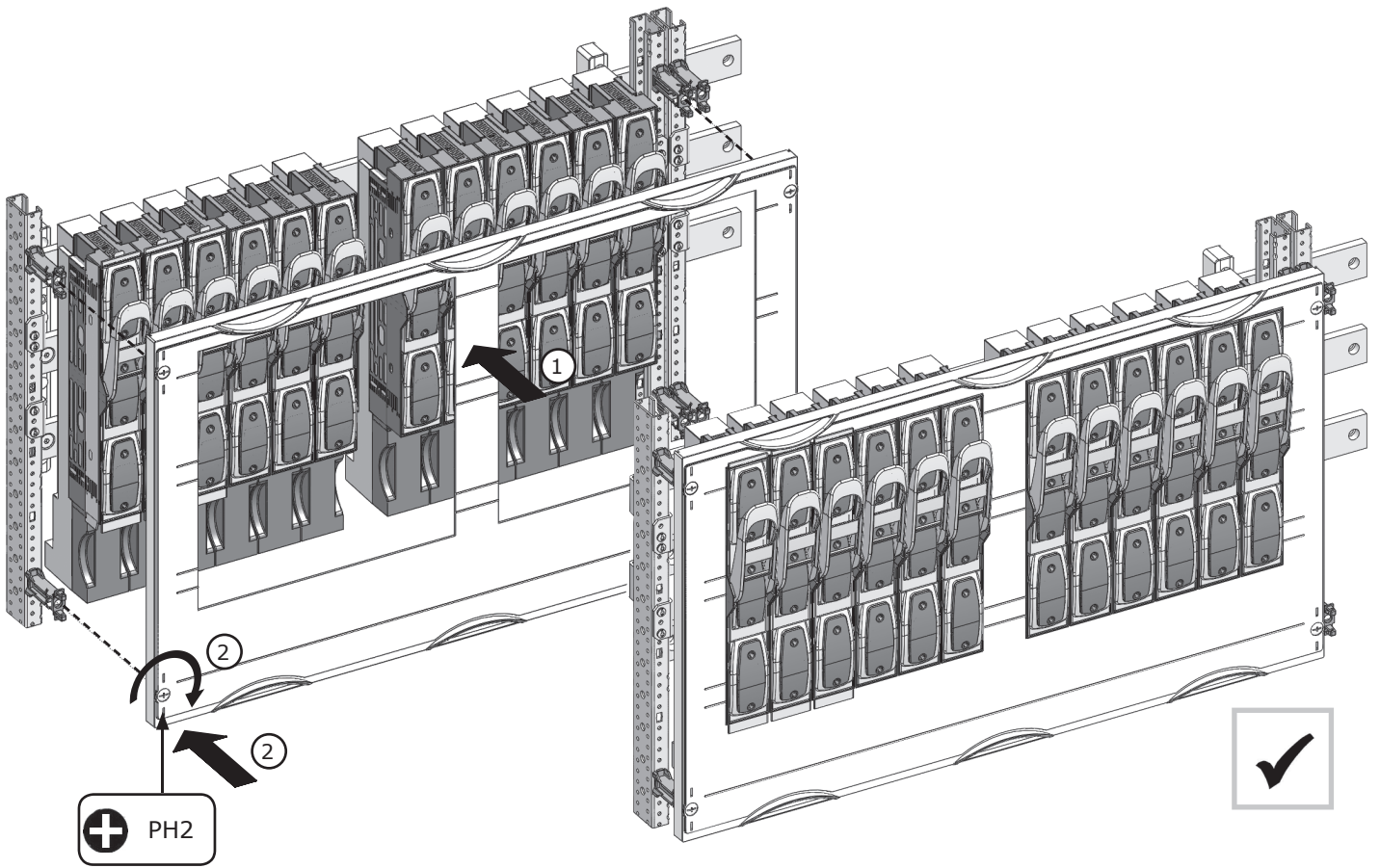




|        | <b>Type</b> | <b>A</b> | <b>B</b> | <b>C</b> | <b>D</b> | <b>E</b> |
|--------|-------------|----------|----------|----------|----------|----------|
| MBD152 | AG13        | 250      | 50       | 150      | -        | -        |
| MBD252 | AG23        | 500      | 50       | 400      | -        | -        |
| MBD352 | AG33        | 750      | 50       | 300      | 50       | 300      |



Attention only compatible with ABB Inline II ZLBM00-100



C  
↓  
18-19

