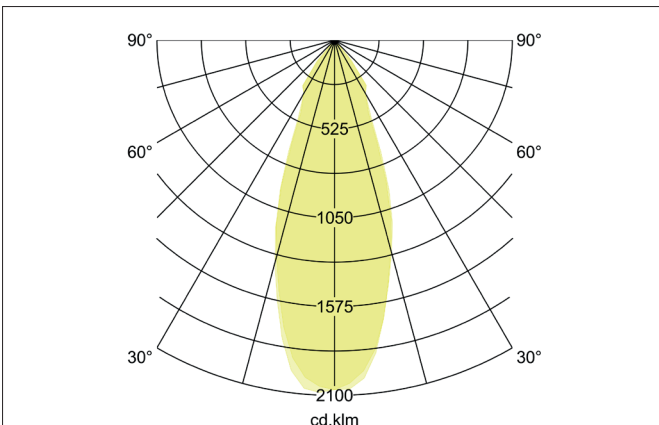
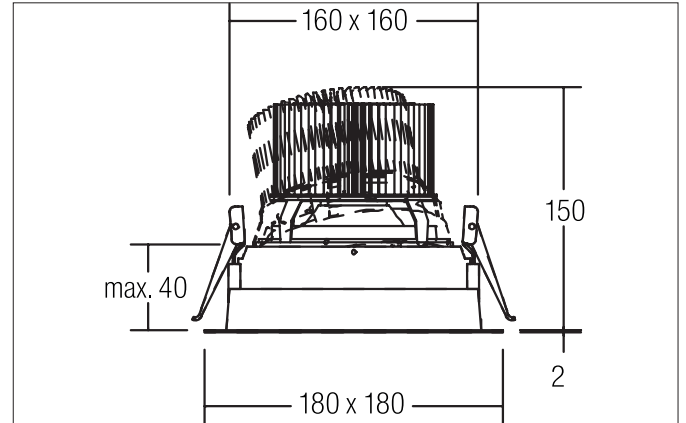


CORE LED recessed spotlight

Article no. 88681175

Light.
For Generations.



Tender
LED recessed spotlight CORE, Square. Ceiling cut-out L x W 160 x 160 mm, Installation depth 150 mm, Length 180 mm, Width 180 mm, Weight 1,236 kg, Reflector silver with rotationssymmetrical, deep, wide distributed light intensity. Luminous flux 3.011 lm, Power 1 x 34,4 W, System Efficiency 88 lm/W, Light colour neutral white, Correlated color temprature (CCT) 3.500 K, Colour rendering index CRI > 80, Housing material: Aluminium / Plastic, Colour: White, Permissible ambient temperature (ta): -20 °C - +25 °C, Protection class (EN 61140): II, Degree of protection (DIN EN 60529): IP20. With electronic driver, on/off switchable.

| Article data | |
|--------------------|------------------------|
| Article no. | 88681175 |
| GTIN | 4251433900337 |
| Series name | CORE |
| Short description | LED recessed spotlight |
| Material | Aluminium / Plastic |
| Colour | White |
| Type of surface | Matt |
| Shape | Square |
| Built-in width | 160 mm |
| Built-in length | 160 mm |
| Installation depth | 150 mm |
| Length | 180 mm |
| Width | 180 mm |
| Weight | 1.236 kg |

CORE LED recessed spotlight

Article no. 88681175

Light.
For Generations.

| Lighting technology | |
|---------------------|------------|
| Colour temperature | 3.500 K |
| Light colour | White |
| Light output | Direct |
| Luminous flux | 3,011 lm |
| System efficiency | 88 lm/W |
| Colour rendering | CRI > 80 |
| Reflector | High-gloss |
| Reflektorfarbe | silver |
| Beam angle | 38° |
| Light sharing | Symmetric |

| Operating technology of the luminaire | |
|---------------------------------------|--|
| System output | 34.4 W |
| Voltage type | AC |
| AC nominal voltage max | 230 V |
| Frequenz max. | 50 Hz |
| Lamp | LED |
| Protection class | II |
| Degree of protection | IP20 |
| Control | on/off |
| Bulb change possible | The light source of this luminaire may only be replaced by the manufacturer or a service technician commissioned by him or a similarly qualified person. |

| Mounting technology | |
|-----------------------|---|
| Mounting method | Recessed mounting |
| Place of installation | Ceiling-mounted |
| Adjustability | Rotable and pivoted |
| Swivel angle | 25° |
| Rotation angle | 350° |
| Further references | No cover with thermal insulation material |

| Packing data | |
|-------------------------|---|
| Gross weight | 1.432 kg |
| Length of packaging | 200 mm |
| Packaging width | 185 mm |
| Packaging height | 155 mm |
| Disposal at end of life | This product must not be disposed of with household waste. You are obliged, to dispose of such electrical waste separately. By disposing of electrical waste and other old or defective electronics separately, you support recycling or other forms of re-use. In that way you help to take care and to avoid that harmful substances get into the environment. |