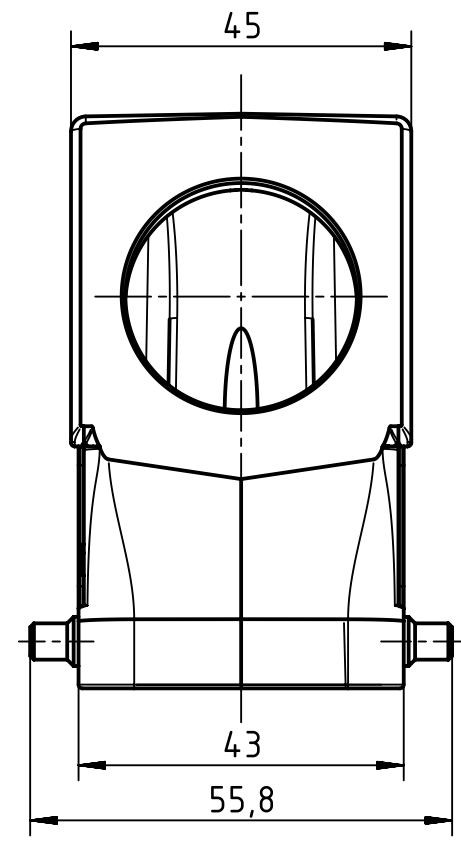
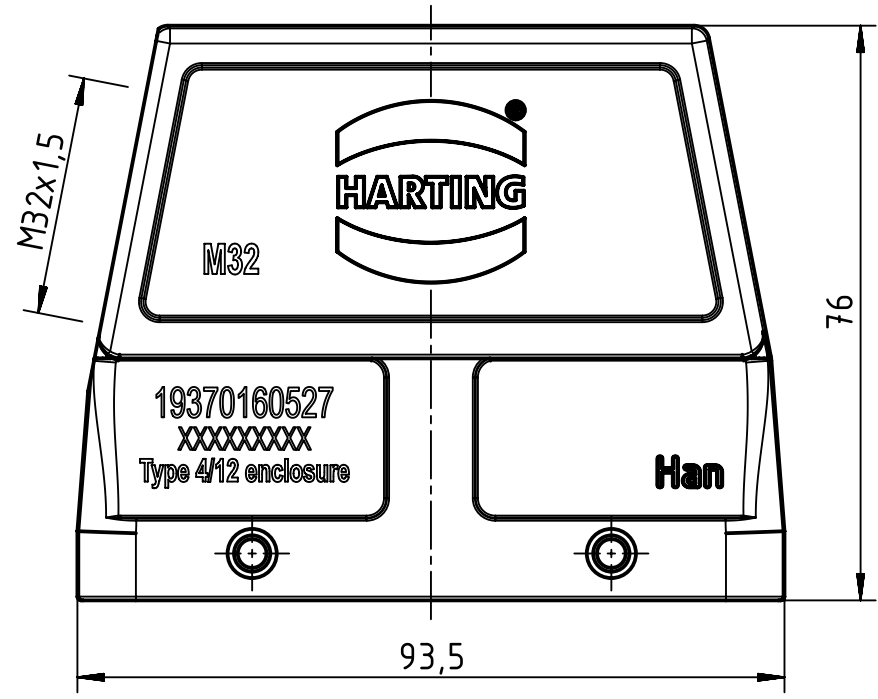
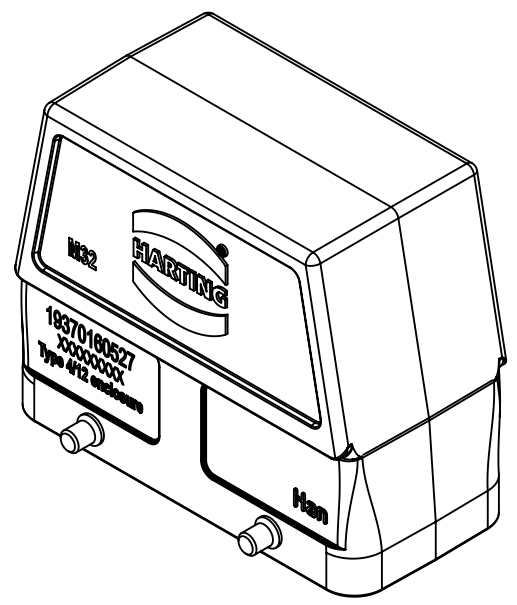
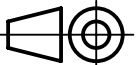



1 2 3 4 5 6

A
B
C
D



 All Dimensions in mm Original Size DIN A4	Scale 1:1	Free size tol.		Ref. Sub. TB 19 37 016 0527 v. 05.12.00	
	 All rights reserved Department EL PD	Created by HOLLERT	Inspected by NICHTERLEIN	Standardisation SCHMIDTM	Date 2015-12-11
HARTING Electric GmbH & Co. KG D-32339 Espelkamp			Title Han 16M-gs-M32		Doc-Key / ECM-Nr. 100222908/UGD/002/C 500000096083
Type TB		Number 19 37 016 0527		Rev. C	Page 1/1