

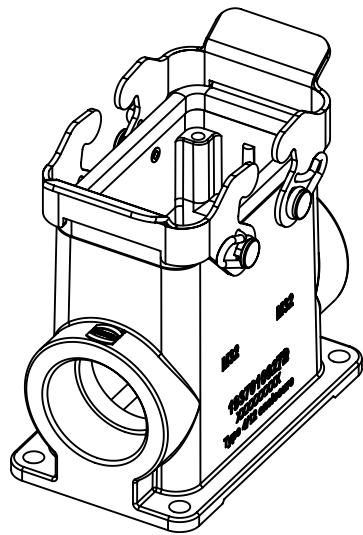
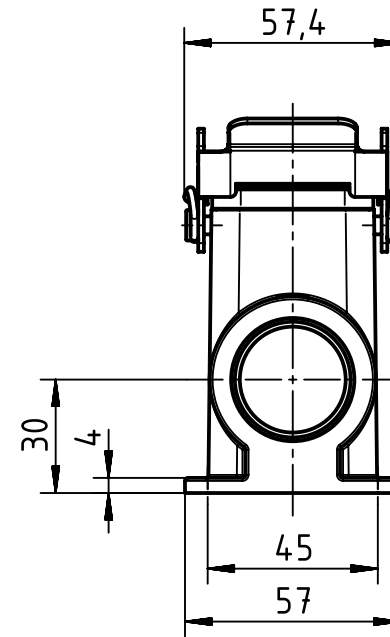
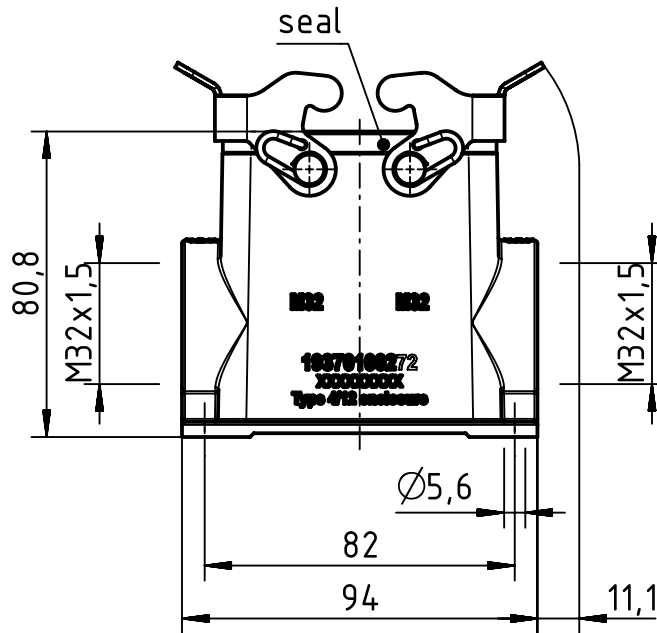
1 2 3 4 5 6


A

B

C

D



	All rights reserved Department EL PD	All Dimensions in mm Original Size DIN A4		Scale 1:2	Free size tol.		Ref.	
		HARTING Electric GmbH & Co. KG D-32339 Espelkamp		Created by HELLMANN	Inspected by NICHTERLEIN	Standardisation SCHMIDTM	Date 2018-09-11	State Final Release
			Title Han 10M-asg2-QB-M32			Doc-Key / ECM-Nr. 100192067/UGD/004/D 500000139889		
			Type TB	Number 19 37 010 0272			Rev. D	Page 1/1