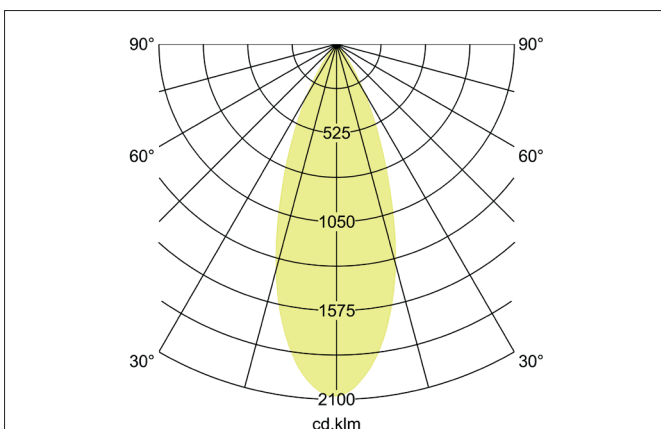
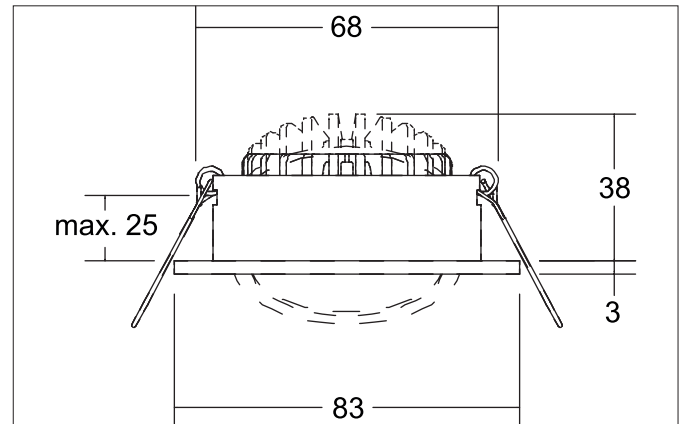


ABACO LED recessed spotlight set, swivel-mounted, trailing edge dimmable, dim2warm

Article no. 39413173DW

Light.
For Generations.**Tender**

LED recessed spotlight set, swivel-mounted, trailing edge dimmable, dim2warm, Round. Toolless ceiling installation by installation springs. Ceiling cut-out Ø 68 mm, Installation depth 38 mm, Outer diameter 83 mm, Weight 0,180 kg, Reflector silver with rotationssymmetrical, deep, wide distributed light intensity. optimal light distribution due to a plastic, transparent cover. Luminous flux 530 lm, Power 1 x 8 W, Light colour warm white to StructureNodeImpl 4028e4c98bb3208a018bf345e7e00e4a, Correlated color temprature (CCT) 3.000 - 1.800 K, Colour rendering index CRI > 90, Housing material: Aluminium / PMMA, Colour: White structure, Permissible ambient temperature (ta): -20 °C - +25 °C, Protection class (EN 61140): II, Degree of protection (DIN EN 60529): IP44, .With electronic driver, Trailing-edge phase dimmable.

Product Benefits

- Protection class IP44 for indoor damp locations
- Standard ceiling cut-out 68 mm - low installation depth 40 mm
- Dimmable as standard via trailing edge phase control (supplied as a set)
- Dim2warm version 3,000 K - 1,800 K - if the luminaire is dimmed, the color temperature is reduced.

ABACO LED recessed spotlight set, swivel-mounted, trailing edge**dimmable, dim2warm**

Article no. 39413173DW

Light.
For Generations.

Lighting technology	
Colour temperature	3.000 K - 1.800 K
Light colour	White
Light output	Direct
Luminous flux	530 lm
System efficiency	66 lm/W
Colour rendering	CRI > 90
Reflector	Faceted
Reflector colour	silver
Beam angle	36°
Light sharing	Symmetric
Adjustable color temperature	Infinite control

Operating technology of the luminaire	
System output	8 W
Voltage type	AC
AC nominal voltage max	230 V
Frequency max	50 Hz
Lamp	LED
Protection class	II
Degree of protection	IP44
Protection class on the ceiling side	IP20
Dimmable	Yes
Control	Trailing-edge phase
Bulb change possible	The light source of this luminaire may only be replaced by the manufacturer or a service technician commissioned by him or a similarly qualified person.

Mounting technology	
Mounting method	Recessed mounting
Place of installation	Ceiling-mounted
Adjustability	Pivoted
Swivel angle	15°
Max. ceiling thickness	25 mm
Further references	No cover with thermal insulation material
Material cover	Plastic, transparent
Circlip	Without circlip
Suitable for through-wiring	Yes

Packing data	
Gross weight	0.21 kg
Length of packaging	105 mm
Packaging width	105 mm
Packaging height	90 mm
Disposal at end of life	This product must not be disposed of with household waste. You are obliged, to dispose of such electrical waste separately. By disposing of electrical waste and other old or defective electronics separately, you support recycling or other forms of re-use. In that way you help to take care and to avoid that harmful substances get into the environment.

Accessories	