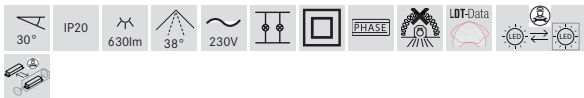
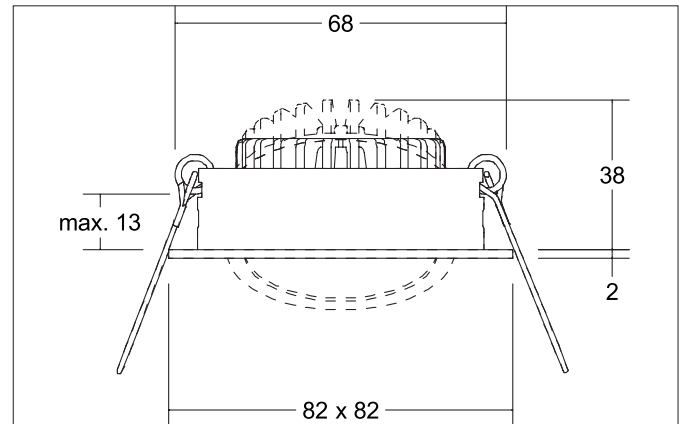


**BB05 LED recessed spot set, trailing-edge phase dimmable, incl. connection box**

Article no. 39465173

Light.  
For Generations.**Tender**

LED recessed spot set, trailing-edge phase dimmable, incl. connection box, Square. Toolless ceiling installation by installation springs. Ceiling cut-out Ø 68 mm, Installation depth 38 mm, Length 82 mm, Width 82 mm, Weight 0,202 kg, Reflector silver with rotationssymmetrical, deep, wide distributed light intensity. optimal light distribution due to a polycarbonat clear cover. Luminous flux 630 lm, Power 1 x 6 W, Light colour warm white, Correlated color temprature (CCT) 3.000 K, Colour rendering index CRI > 80, Rated life time L80/B20 at 25 °C: 50.000 h, Housing material: Aluminium / Polycarbonate, Colour: White structure, Permissible ambient temperature (ta): -20 °C - +25 °C, Protection class (EN 61140): II, Degree of protection (DIN EN 60529): IP20, .With electronic driver, Trailing-edge phase dimmable.

**BB05 LED recessed spot set, trailing-edge phase dimmable, incl.****connection box**

Article no. 39465173

Light.  
For Generations.

| Article data       |   |
|--------------------|---|
| Article no.        | 39465173  |
| GTIN               | 4251433954101   |
| Series name        | BB05  |
| Short description  | LED recessed spot set, trailing-edge phase dimmable, incl. connection box |
| Material           | Aluminium / Polycarbonate   |
| Colour             | White   |
| Type of surface    | Structure   |
| Shape              | Square  |
| Built-in diameter  | 68 mm   |
| Installation depth | 38 mm   |
| Length             | 82 mm   |
| Width              | 82 mm   |
| Hight              | 2 mm  |
| Scope of delivery  | incl. connection box, 3-pole  |
| Weight             | 0.202 kg  |
| Conformance        | CE, UKCA  |

| Lighting technology          |            |
|------------------------------|------------|
| Colour temperature           | 3.000 K    |
| Light colour                 | White      |
| Light output                 | Direct     |
| Luminous flux                | 630 lm     |
| System efficiency            | 105 lm/W   |
| Colour rendering             | CRI > 80   |
| Reflector                    | High-gloss |
| Reflector colour             | silver     |
| Beam angle                   | 38°        |
| Light sharing                | Symmetric  |
| Adjustable color temperature | No         |

| Operating technology of the luminaire |  |
|---------------------------------------|--|
| System output                         | 6 W  |
| Voltage type                          | AC   |
| AC nominal voltage max                | 230 V  |
| Frequency max                         | 50 Hz  |
| Lamp                                  | LED  |
| Protection class                      | II   |
| Degree of protection                  | IP20   |
| Dimmable                              | Yes  |
| Control                               | Trailing-edge phase  |
| Bulb change possible                  | The light source of this luminaire may only be replaced by the manufacturer or a service technician commissioned by him or a similarly qualified person. |
| Rated life time L80/B20 at 25 °C      | 50.000 h   |

| Mounting technology         |   |
|-----------------------------|---|
| Mounting method             | Recessed mounting                         |
| Place of installation       | Ceiling-mounted                           |
| Adjustability               | Pivoted                                   |
| Swivel angle                | 30°                                       |
| Max. ceiling thickness      | 13 mm                                     |
| Further references          | No cover with thermal insulation material |
| Material cover              | Polycarbonat clear                        |
| Suitable for through-wiring | Yes, with optional accessories            |

**BB05 LED recessed spot set, trailing-edge phase dimmable, incl.  
connection box**

Article no. 39465173

Light.  
For Generations.

| Packing data            |  |
|-------------------------|--|
| Gross weight            | 0.263 kg   |
| Length of packaging     | 100 mm   |
| Packaging width         | 100 mm   |
| Packaging height        | 100 mm   |
| Disposal at end of life | <p>This product must not be disposed of with household waste. You are obliged, to dispose of such electrical waste separately.</p> <p>By disposing of electrical waste and other old or defective electronics separately, you support recycling or other forms of re-use. In that way you help to take care and to avoid that harmful substances get into the environment.</p> |