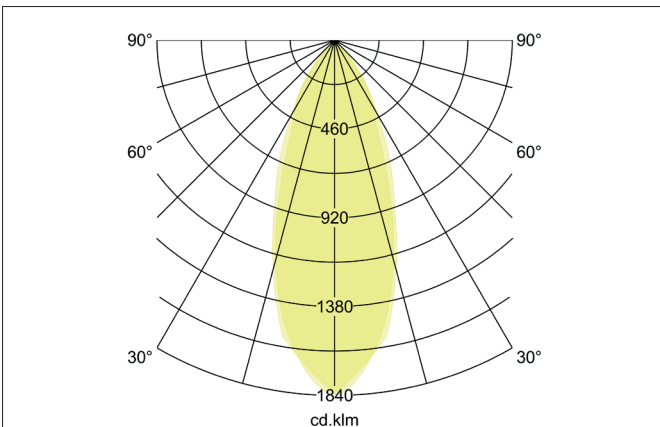
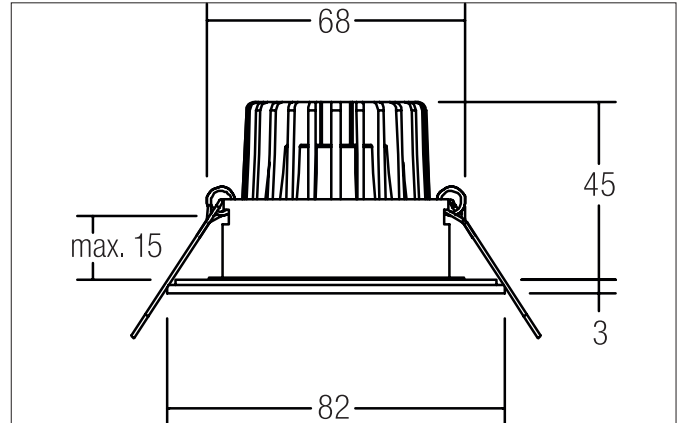


**ITANSA-R BB15 LED recessed downlight set, V4A, IP54, trailing-edge phase dimmable**

Article no. 39375083

Light.  
For Generations.



**Tender**  
LED recessed downlight set, V4A, IP54, trailing-edge phase dimmable, Round. Toolless ceiling installation by installation springs. Ceiling cut-out Ø 68 mm, Installation depth 45 mm, Outer diameter 82 mm, Weight 0,326 kg. Reflector silver with rotationssymmetrical, deep, wide distributed light intensity. optimal light distribution due to a glass transparent cover. Luminous flux 680 lm, Power 1 x 6 W, Light colour warm white, Correlated color temprature (CCT) 3.000 K, Colour rendering index CRI > 80, Rated life time L80/B20 at 25 °C: 50.000 h, Housing material: Stainless steel / Aluminium / Glass, Colour: Black, Permissible ambient temperature (ta): -20 °C - +25 °C, Protection class (EN 61140): II, Degree of protection (DIN EN 60529): IP54 when installing in closed ceilings, .With electronic driver, Trailing-edge phase dimmable.

**ITANSA-R BB 15 LED recessed downlight set, V4A, IP54, trailing-edge phase dimmable**

Article no. 39375083

Light.  
For Generations.

Article data	
Article no.	39375083
GTIN	4251433957645
Series name	ITANSA-R BB 15
Short description	LED recessed downlight set, V4A, IP54, trailing-edge phase dimmable
Material	Stainless steel / Aluminium / Glass
Colour	Black
Type of surface	Matt
Shape	Round
Outer diameter	82 mm
Built-in diameter	68 mm
Installation depth	45 mm
Hight	3 mm
Weight	0.326 kg
stamp	UKCA
Conformance	CE, UKCA

Lighting technology	
Colour temperature	3.000 K
Light colour	White
Light output	Direct
Luminous flux	680 lm
System efficiency	113 lm/W
Colour rendering	CRI > 80
Reflector	High-gloss
Reflector colour	silver
Beam angle	38°
Light sharing	Symmetric
Adjustable color temperature	No

Operating technology of the luminaire	
Article No. of used light source	12924383
Hight	32 mm
Diameter	50 mm
Lamp holder	Plug&Play
Power	6 W
Voltage type	DC
Current	350 mA
Lamp	LED
Protection class	III
Degree of protection	IP20
Bulb change possible	The light source of this luminaire may only be replaced by the manufacturer or a service technician commissioned by him or a similarly qualified person.

**ITANSA-R BB15 LED recessed downlight set, V4A, IP54, trailing-edge phase dimmable**




Article no. 39375083

Light.  
For Generations.

Operating technology of driver	
Article No. of used driver	17663000
Length	110 mm
Width	50 mm
Hight	19 mm
AC nominal voltage min	198 V
AC nominal voltage max	264 V
Frequency max	60 Hz
Dimmable	Yes
Control	Trailing-edge phase
Starting current	1A (15,2 µs)
Power min	2.8 W
Power	7 W
Output current	350 mA
Degree of protection	IP20
Protection class	II
Flicker-free	Yes

Mounting technology	
Mounting method	Recessed mounting
Place of installation	Ceiling-mounted
Adjustability	Not adjustable
Max. ceiling thickness	15 mm
Further references	V4A No cover with thermal insulation material
Material cover	Glass transparent
Circlip	Without circlip
Suitable for through-wiring	Yes, with optional accessories

Packing data	
Gross weight	0.404 kg
Length of packaging	100 mm
Packaging width	100 mm
Packaging hight	100 mm
Disposal at end of life	This product must not be disposed of with household waste. You are obliged, to dispose of such electrical waste separately. By disposing of electrical waste and other old or defective electronics separately, you support recycling or other forms of re-use. In that way you help to take care and to avoid that harmful substances get into the environment.

Accessories	
	Article no.: 8 1204280 Reducing ring D 110 mm, for luminaire cut-out size 68 mm
	Article no.: 8 1205280 Reducing ring D 130 mm, for luminaire cut-out size 68 mm
	Article no.: 8 1206280 Reducing ring D 145 mm, for luminaire cut-out size 68 mm