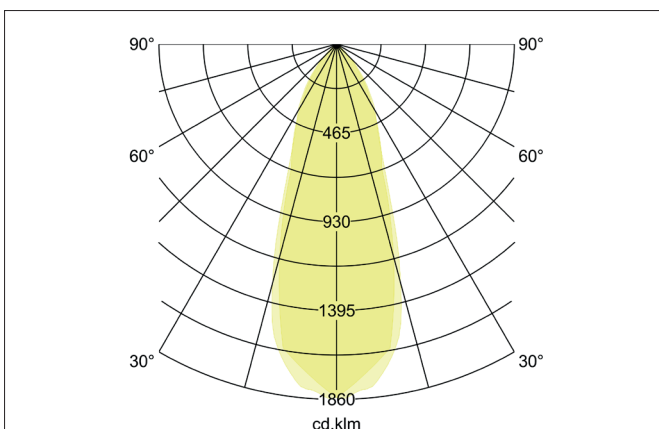
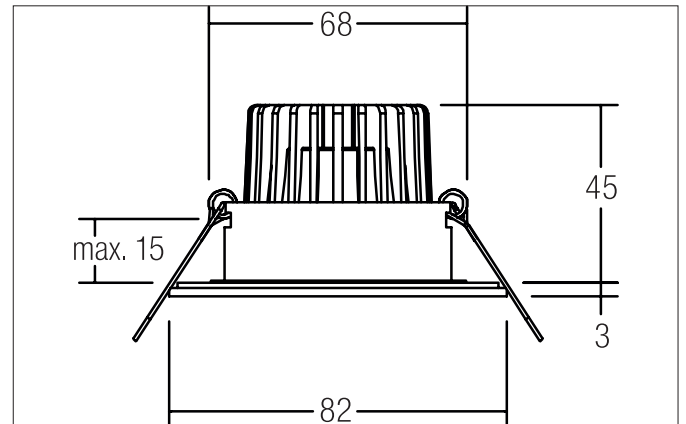


ITANSA-R BB15 LED recessed downlight set, V4A, IP54, trailing-edge phase dimmable, incl. connection box
Article no. 39475073

Light.
For Generations.



Tender

LED recessed downlight set, V4A, IP54, trailing-edge phase dimmable, incl. connection box, Round. Toolless ceiling installation by installation springs. Ceiling cut-out Ø 68 mm, Installation depth 45 mm, Outer diameter 82 mm, Weight 0,315 kg, Reflector silver with rotationally symmetrical, deep, wide distributed light intensity. optimal light distribution due to a glass transparent cover. Luminous flux 680 lm, Power 1 x 6 W, Light colour warm white, Correlated color temperature (CCT) 3.000 K, Colour rendering index CRI > 80, Rated life time L80/B20 at 25 °C: 50.000 h, Housing material: Stainless steel / Aluminium / Glass, Colour: White, Permissible ambient temperature (ta): -20 °C - +25 °C, Protection class (EN 61140): II, Degree of protection (DIN EN 60529): IP54 when installing in closed ceilings, .With electronic driver, Trailing-edge phase dimmable.

ITANSA-R BB 15 LED recessed downlight set, V4A, IP54, trailing-edge phase dimmable, incl. connection box

Article no. 39475073

Light.
For Generations.

| Article data | |
|--------------------|---|
| Article no. | 39475073 |
| GTIN | 4251433936084 |
| Series name | ITANSA-R BB 15 |
| Short description | LED recessed downlight set, V4A, IP54, trailing-edge phase dimmable, incl. connection box |
| Material | Stainless steel / Aluminium / Glass |
| Colour | White |
| Type of surface | Matt |
| Shape | Round |
| Outer diameter | 82 mm |
| Built-in diameter | 68 mm |
| Installation depth | 45 mm |
| Hight | 3 mm |
| Scope of delivery | incl. connection box, 3-pole |
| Weight | 0.315 kg |
| stamp | UKCA |
| Conformance | CE, UKCA |

| Lighting technology | |
|------------------------------|------------|
| Colour temperature | 3.000 K |
| Light colour | White |
| Light output | Direct |
| Luminous flux | 680 lm |
| System efficiency | 113 lm/W |
| Colour rendering | CRI > 80 |
| Reflector | High-gloss |
| Reflector colour | silver |
| Beam angle | 38° |
| Light sharing | Symmetric |
| Adjustable color temperature | No |

| Operating technology of the luminaire | |
|---------------------------------------|-----------|
| Article No. of used light source | 12924003 |
| Hight | 40 mm |
| Diameter | 50 mm |
| Lamp holder | Plug&Play |
| Power | 6 W |
| Voltage type | DC |
| Current | 350 mA |
| Lamp | LED |
| Protection class | III |
| Degree of protection | IP20 |

ITANSA-R BB15 LED recessed downlight set, V4A, IP54, trailing-edge phase dimmable, incl. connection box




Article no. 39475073

Light.
For Generations.

| Operating technology of driver | |
|--------------------------------|---------------------|
| Article No. of used driver | 17663000 |
| Length | 110 mm |
| Width | 50 mm |
| Hight | 19 mm |
| AC nominal voltage min | 198 V |
| AC nominal voltage max | 264 V |
| Frequency max | 60 Hz |
| Dimmable | Yes |
| Control | Trailing-edge phase |
| Starting current | 1A (15,2 µs) |
| Power min | 2.8 W |
| Power | 7 W |
| Output current | 350 mA |
| Degree of protection | IP20 |
| Protection class | II |
| Flicker-free | Yes |

| Mounting technology | |
|-----------------------------|---|
| Mounting method | Recessed mounting |
| Place of installation | Ceiling-mounted |
| Adjustability | Not adjustable |
| Max. ceiling thickness | 15 mm |
| Further references | V4A No cover with thermal insulation material |
| Material cover | Glass transparent |
| Circlip | Without circlip |
| Suitable for through-wiring | Yes |

| Packing data | |
|-------------------------|---|
| Gross weight | 0.371 kg |
| Length of packaging | 140 mm |
| Packaging width | 110 mm |
| Packaging hight | 120 mm |
| Disposal at end of life | This product must not be disposed of with household waste. You are obliged, to dispose of such electrical waste separately. By disposing of electrical waste and other old or defective electronics separately, you support recycling or other forms of re-use. In that way you help to take care and to avoid that harmful substances get into the environment. |

| Accessories | |
|---|--|
|  | Article no.: 8 1204270 Reducing ring D 110 mm, for luminaire cut-out size 68 mm |
|  | Article no.: 8 1205270 Reducing ring D 130 mm, for luminaire cut-out size 68 mm |
|  | Article no.: 8 1206270 Reducing ring D 145 mm, for luminaire cut-out size 68 mm |