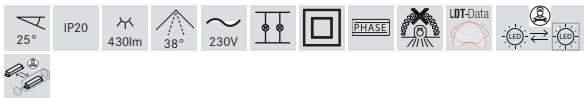
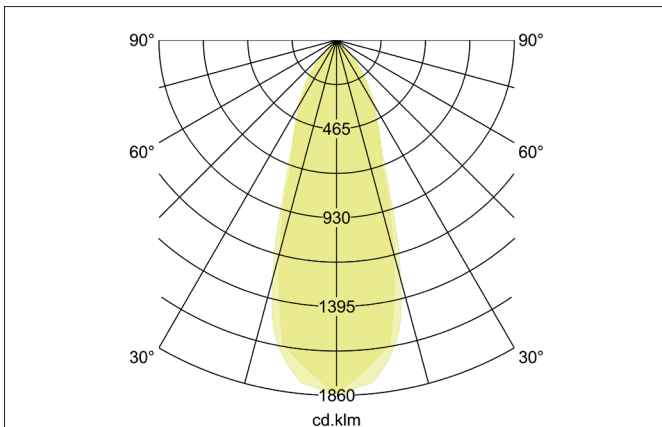
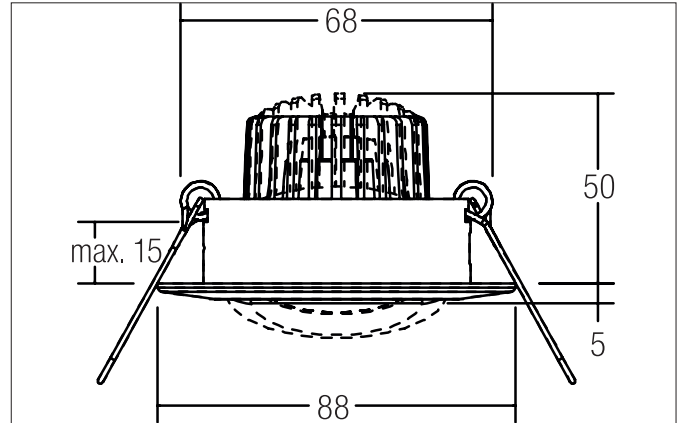


BB13 LED recessed spot set BB13, dim2warm, trailing-edge phase

dimmable

Article no. 39373023

Light.
For Generations.



Tender
LED recessed spot set BB13, dim2warm, trailing-edge phase dimmable, Round. Toolless ceiling installation by installation springs. Ceiling cut-out Ø 68 mm, Installation depth 50 mm, Outer diameter 88 mm, Weight 0,296 kg, Reflector silver with rotationssymmetrical, deep, wide distributed light intensity. optimal light distribution due to a glass transparent cover. Luminous flux 430 lm, Power 1 x 6 W, Light colour warm white to StructureNodeImpl 4028e4bd62d2f56b01637355bb8f058b, Correlated color temprature (CCT) 3.000 - 1.800 K, Colour rendering index CRI > 90, Housing material: Cast iron / Aluminium / Glass / Plastic, Colour: Chrome, Permissible ambient temperature (ta): -20 °C - +25 °C, Protection class (EN 61140): II, Degree of protection (DIN EN 60529): IP20, .With electronic driver, Trailing-edge phase dimmable.

BB13 LED recessed spot set BB13, dim2warm, trailing-edge phase dimmable

Article no. 39373023

Light.
For Generations.

| Article data | |
|--------------------|--|
| Article no. | 39373023 |
| GTIN | 4251433916833 |
| Series name | BB13 |
| Short description | LED recessed spot set BB13, dim2warm, trailing-edge phase dimmable |
| Material | Cast iron / Aluminium / Glass / Plastic |
| Colour | Chrome |
| Type of surface | Glossy |
| Shape | Round |
| Outer diameter | 88 mm |
| Built-in diameter | 68 mm |
| Installation depth | 50 mm |
| Hight | 5 mm |
| Weight | 0.296 kg |
| stamp | UKCA |
| Conformance | CE, UKCA |

| Lighting technology | |
|------------------------------|-------------------|
| Colour temperature | 3.000 K - 1.800 K |
| Light colour | White |
| Light output | Direct |
| Luminous flux | 430 lm |
| System efficiency | 72 lm/W |
| Colour rendering | CRI > 90 |
| Reflector | High-gloss |
| Reflector colour | silver |
| Beam angle | 38° |
| Light sharing | Symmetric |
| Adjustable color temperature | Infinite control |

| Operating technology of the luminaire | |
|---------------------------------------|--|
| Article No. of used light source | 12963383 |
| Hight | 32 mm |
| Diameter | 50 mm |
| Lamp holder | Plug&Play |
| Power | 6 W |
| Voltage type | DC |
| Current | 350 mA |
| Lamp | LED |
| Protection class | III |
| Degree of protection | IP20 |
| Bulb change possible | The light source of this luminaire may only be replaced by the manufacturer or a service technician commissioned by him or a similarly qualified person. |

**BB13 LED recessed spot set BB13, dim2warm, trailing-edge phase
dimmable**

Article no. 39373023

Light.
For Generations.

| Operating technology of driver | |
|--------------------------------|---------------------|
| Article No. of used driver | 17663000 |
| Length | 110 mm |
| Width | 50 mm |
| Hight | 19 mm |
| AC nominal voltage min | 198 V |
| AC nominal voltage max | 264 V |
| Frequency max | 60 Hz |
| Dimmable | Yes |
| Control | Trailing-edge phase |
| Starting current | 1A (15,2 µs) |
| Power min | 2.8 W |
| Power | 7 W |
| Output current | 350 mA |
| Degree of protection | IP20 |
| Protection class | II |
| Flicker-free | Yes |

| Mounting technology | |
|-----------------------------|---|
| Mounting method | Recessed mounting |
| Place of installation | Ceiling-mounted |
| Adjustability | Pivoted |
| Swivel angle | 25° |
| Max. ceiling thickness | 15 mm |
| Further references | No cover with thermal insulation material |
| Material cover | Glass transparent |
| Suitable for through-wiring | Yes, with optional accessories |

| Packing data | |
|-------------------------|---|
| Gross weight | 0.353 kg |
| Length of packaging | 95 mm |
| Packaging width | 75 mm |
| Packaging hight | 95 mm |
| Disposal at end of life | This product must not be disposed of with household waste. You are obliged, to dispose of such electrical waste separately. By disposing of electrical waste and other old or defective electronics separately, you support recycling or other forms of re-use. In that way you help to take care and to avoid that harmful substances get into the environment. |