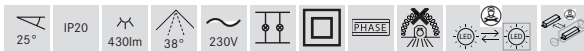
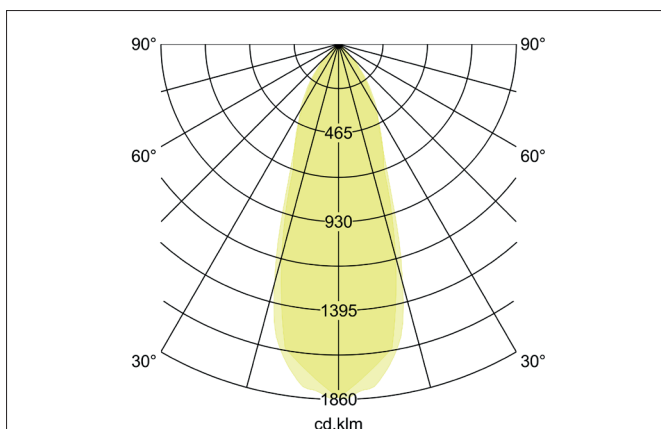
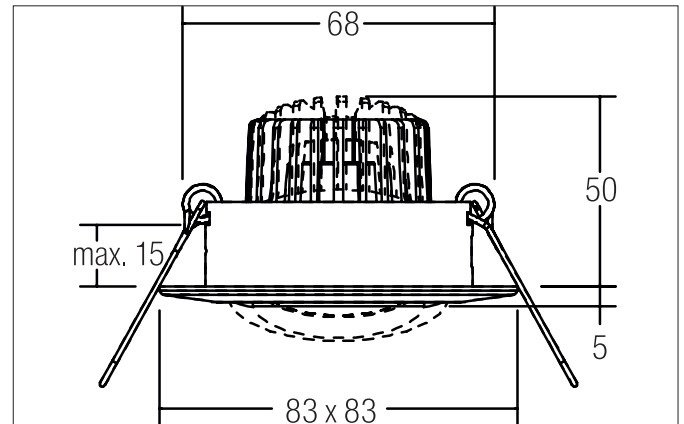
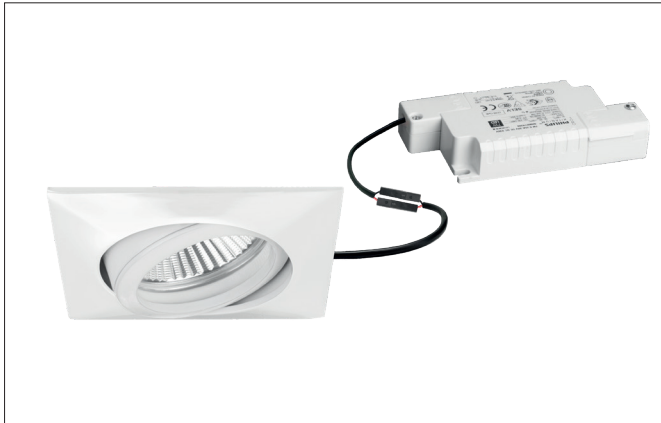


**BB14 LED recessed spot set BB14, dim2warm, trailing-edge phase dimmable**

Article no. 39374173

Light.  
For Generations.**Tender**

LED recessed spot set BB14, dim2warm, trailing-edge phase dimmable, Square. Toolless ceiling installation by installation springs. Ceiling cut-out Ø 68 mm, Installation depth 50 mm, Length 82 mm, Width 82 mm, Weight 0,324 kg, Reflector silver with rotationssymmetrical, deep, wide distributed light intensity. optimal light distribution due to a glass transparent cover. Luminous flux 430 lm, Power 1 x 6 W, System Efficiency 72 lm/W, Light colour warm white to StructureNodeImpl 4028e4c982ac67f801830ecfb16326e, Correlated color temperature (CCT) 3.000 - 1.800 K, Colour rendering index CRI > 90, Housing material: Cast iron / Aluminium / Glass, Colour: White structure, Permissible ambient temperature (ta): -20 °C - +25 °C, Protection class (EN 61140): II, Degree of protection (DIN EN 60529): IP20, .With electronic driver, Trailing-edge phase dimmable.

Article data	
Article no.	39374173
GTIN	4251433970439
Series name	BB14
Short description	LED recessed spot set BB14, dim2warm, trailing-edge phase dimmable
Material	Cast iron / Aluminium / Glass
Colour	White
Type of surface	Structure
Shape	Square
Built-in diameter	68 mm
Installation depth	50 mm
Length	82 mm
Width	82 mm
Height	5 mm
Weight	0.324 kg
stamp	UKCA

**BB14 LED recessed spot set BB14, dim2warm, trailing-edge phase dimmable**

Article no. 39374173

Light.  
For Generations.

Lighting technology	
Colour temperature	3.000 K - 1.800 K
Light colour	White
Light output	Direct
Luminous flux	430 lm
System efficiency	72 lm/W
Colour rendering	CRI > 90
Reflector	High-gloss
Reflector colour	silver
Beam angle	38°
Light sharing	Symmetric
Adjustable color temperature	Infinite control

Operating technology of the luminaire	
Article No. of used light source	12963383
Hight	32 mm
Diameter	50 mm
Lamp holder	Plug&Play
Power	6 W
Voltage type	DC
Current	350 mA
Lamp	LED
Protection class	III
Degree of protection	IP20
Bulb change possible	The light source of this luminaire may only be replaced by the manufacturer or a service technician commissioned by him or a similarly qualified person.

Operating technology of driver	
Article No. of used driver	17663000
Length	110 mm
Width	50 mm
Hight	19 mm
AC nominal voltage min	198 V
AC nominal voltage max	264 V
Frequency max	60 Hz
Dimmable	Yes
Control	Trailing-edge phase
Starting current	1A (15,2 µs)
Power min	2.8 W
Power	7 W
Output current	350 mA
Degree of protection	IP20
Protection class	II
Flicker-free	Yes

Mounting technology	
Mounting method	Recessed mounting
Place of installation	Ceiling-mounted
Adjustability	Pivoted
Swivel angle	25°
Max. ceiling thickness	15 mm
Further references	No cover with thermal insulation material
Material cover	Glass transparent
Suitable for through-wiring	Yes, with optional accessories

**BB14 LED recessed spot set BB14, dim2warm, trailing-edge phase  
dimmable**

Article no. 39374173

Light.  
For Generations.

Packing data	
Gross weight	0.381 kg
Length of packaging	100 mm
Packaging width	100 mm
Packaging height	100 mm
Disposal at end of life	<p>This product must not be disposed of with household waste. You are obliged, to dispose of such electrical waste separately.</p> <p>By disposing of electrical waste and other old or defective electronics separately, you support recycling or other forms of re-use. In that way you help to take care and to avoid that harmful substances get into the environment.</p>