

8602C3-735-B-C06 Art. No. 244654



- Pushbutton, mushroom pushbutton, mushroom stay-put button with key lock, mushroom stay-put button, twin pushbutton and illuminated pushbutton, rotary actuator, key-operated switch, potentiometer bezel and indicator lamp bezel
- One axial actuator can actuate up to four 8082 series contact elements
- Key-operated switches and rotary switches codable at any time as "latching/spring return" or "key not removable"

WebCode **8602A**



Thanks to their special technical features, the actuators from the 8602/3 series can withstand the most extreme conditions. In addition to the application option for use in ambient temperatures from -60 °C to +70 °C, the IP degree of protection, IP66, is maintained in accordance with EN 60529. It is also possible to actuate up to four contact elements from the 8082 series with a single axial actuator from the 8602/3 series.

The coding option of the key switches and rotary switches is innovative and one-of-a-kind. Integrated coding allows you to adjust the "latching/spring return" and/or "key not removable" functions at any time without additional accessories. A versatile set of accessories consisting of label holders and locking devices is available.

### Technical Data

#### Explosion Protection

Application range (zones)	1 2 21 22
IECEX gas certificate	IECEX PTB 13.0047U
IECEX gas explosion protection	Ex eb IIC Gb
IECEX dust certificate	IECEX PTB 13.0047 U
IECEX dust explosion protection	Ex tb IIIC Db
ATEX gas certificate	PTB 13 ATEX 1019 U
ATEX gas explosion protection	Ex II 2 G Ex eb IIC Gb
ATEX dust certificate	PTB 13 ATEX 1019 U
ATEX dust explosion protection	Ex II 2 D Ex tb IIIC Db
UL gas certificate	E182378 V4 S2
Certificates	ATEX (PTB), Brazil (ULB), Canada / USA (UL), EAC (CCVE), IECEX (PTB), India (PESO), Korea (KGS)

#### Ambient Conditions

Ambient temperature	-20 °C ... +60 °C
Ambient temperature	-4 °F ... +140 °F
Storage temperature	-25 °C ... +60 °C
Storage temperature	-13 °F ... +140 °F
Use at the height of	< 2000 m
Degree of contamination	3

# Installation Equipment

## Illuminated pushbutton Spring return



8602C3-735-B-C06 Art. No. 244654

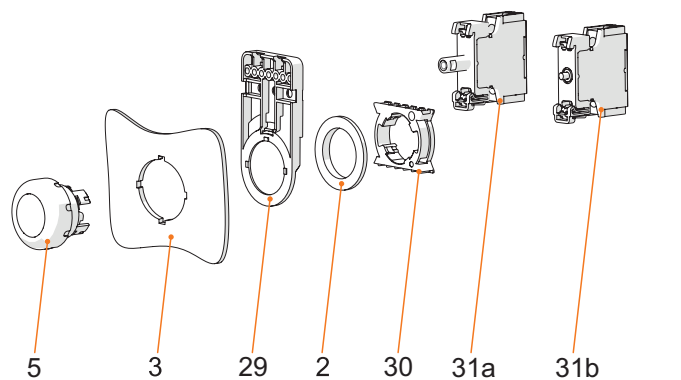
### Mechanical Data

Version	spring-return
Degree of protection (IP)	IP66
Note on degree of protection	acc. to IEC/EN 60529
Enclosure material	Polyamide
Silicone-free	Yes
Assembly	735
Diameter	39 mm
Service life, min.	10 <sup>5</sup> actuations
Impact strength (IEC 60079)	4 J
Impact strength (IEC 62262)	min. IK07
Lens colour	All colours
Mounting	Thread type
Seal	Standard
Packaging unit	1
Weight	0.035 kg
Weight	0.08 lb
Description note	Pressure plate for 3 contact elements enclosed.

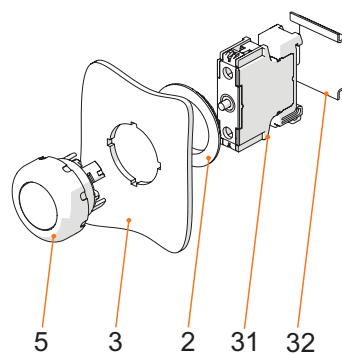
### Mounting / Installation

Tightening torque	3 Nm
Tightening torque lbf in	26.55 lbf in

### Technical Drawings – Subject to Alterations



Front installation mounting with indication lamp series 8010/6 and contact element series 8082/3



Mounting rail mounting

### Legend

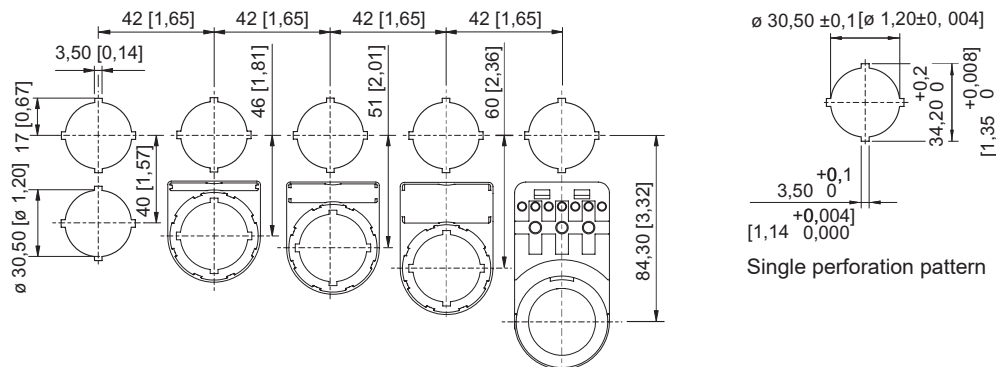
- 2 = Jam nut (order no. 205592)
- 3 = Installation wall (wall thickness max. 5 mm [0.197 in])
- 5 = Actuator with seal
- 29 = Cable duct carrier (optional) (order no. 248673)
- 30 = Adaptor (order no. 227038)
- 31a = Built-in element: LED element 8010/6
- 31b = Built-in element: Contact element 8082/3

### Legend

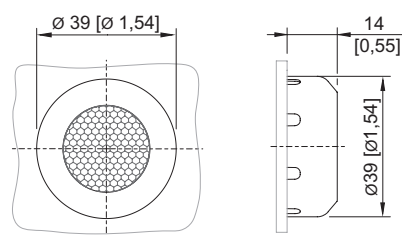
- 2 = Jam nut (order no. 205592)
- 3 = Installation wall (wall thickness max. 5 mm [0.197 in])
- 5 = Actuator with seal
- 31 = Built-in element
- 32 = Mounting rail TS35

8602C3-735-B-C06 Art. No. 244654

### Dimensional Drawings (All Dimensions in mm [inches]) – Subject to Alterations



Standard cut-out with / without front label



8602/3-735 Illuminated pushbutton  
Actuator with axial actuation

## Accessories

### Label holder



Size 1, without insert disc, 1-line label  
for actuators Ø 39

Art. No.

223566

### Insert discs for label holder



1-line  
Plain  
Material: PVC  
Colour: White  
Self-adhesive

Art. No.

238271



2-line  
Plain  
Material: PVC  
Colour: White  
Self-adhesive

Art. No.

238272



3-line  
Plain  
Material: PVC  
Colour: White  
Self-adhesive

Art. No.

238273

### Closing part



8602C3-733-B  
for closing unused holes in cover, Ø 30.5 mm, NBR

Art. No.

244306

8602C3-733-S  
for closing unused holes in cover, Ø 30.5 mm, silicone

Art. No.

244307

# Installation Equipment

## Illuminated pushbutton Spring return



8602C3-735-B-C06 Art. No. 244654

### Spare Parts

#### Colour filter for BG 735

Art. No.



for illuminated pushbutton, all colours packaged

248684

#### Label holder

Art. No.



Size 2, without insert disc, 1- or 2-line label  
for actuators Ø 39

223567



Size 3, without insert disc, 1-, 2- or 3-line label  
for actuators Ø 39

223568

#### Special key

Art. No.



for tightening plastic locking nut

169101

#### Pressure plates

Art. No.



Ø 37 mm  
3 contact elements

215436

#### Holder for front installation

Art. No.



8602/3 holder for cable duct

248673

#### Adaptor for front installation

Art. No.



8602/3 Front installation for indicator lamp series 8010/6 and contact element series 8082/3

227038

#### Indicator lamp 8010/6

Art. No.



for Ex e front installation

240900

for Ex i front installation

240901

for EEB front installation

274899

# Installation Equipment

## Illuminated pushbutton Spring return



8602C3-735-B-C06 Art. No. 244654

### 8082/3 Contact element

		Art. No.
	for NC contact front installation	240898
	for NO contact front installation	240899

We reserve the right to make alterations to the technical data, dimensions, weights, designs and products available without notice. The illustrations cannot be considered binding.