

8602C3-734-B-45H-E08 Art. No. 227391



- Pushbutton, mushroom pushbutton, mushroom stay-put button with key lock, mushroom stay-put button, twin pushbutton and illuminated pushbutton, rotary actuator, key-operated switch, potentiometer bezel and indicator lamp bezel
- One axial actuator can actuate up to four 8082 series contact elements
- Key-operated switches and rotary switches codable at any time as "latching/spring return" or "key not removable"

WebCode **8602A**



Thanks to their special technical features, the actuators from the 8602/3 series can withstand the most extreme conditions. In addition to the application option for use in ambient temperatures from -60 °C to +70 °C, the IP degree of protection, IP66, is maintained in accordance with EN 60529. It is also possible to actuate up to four contact elements from the 8082 series with a single axial actuator from the 8602/3 series.

The coding option of the key switches and rotary switches is innovative and one-of-a-kind. Integrated coding allows you to adjust the "latching/spring return" and/or "key not removable" functions at any time without additional accessories. A versatile set of accessories consisting of label holders and locking devices is available.

Technical Data

Explosion Protection

| | |
|---------------------------------|---|
| Application range (zones) | 1 2 21 22 |
| IECEX gas certificate | IECEX PTB 13.0047U |
| IECEX gas explosion protection | Ex eb IIC Gb |
| IECEX dust certificate | IECEX PTB 13.0047 U |
| IECEX dust explosion protection | Ex tb IIIC Db |
| ATEX gas certificate | PTB 13 ATEX 1019 U |
| ATEX gas explosion protection | Ex II 2 G Ex eb IIC Gb |
| ATEX dust certificate | PTB 13 ATEX 1019 U |
| ATEX dust explosion protection | Ex II 2 D Ex tb IIIC Db |
| UL gas certificate | E182378 V4 S2 |
| Inmetro gas certificate | UL-BR 14.0380U |
| Inmetro dust certificate | UL-BR 14.0380U |
| Certificates | ATEX (PTB), Brazil (ULB), Canada / USA (UL), EAC (CCVE), IECEX (PTB), India (PESO), Korea (KGS) |

Ambient Conditions

| | |
|----------------------|--------------------|
| Ambient temperature | -20 °C ... +60 °C |
| Ambient temperature | -4 °F ... +140 °F |
| Storage temperature | -25 °C ... +60 °C |
| Storage temperature | -13 °F ... +140 °F |
| Use at the height of | < 2000 m |

Installation Equipment

Rotary actuator, small Padlockable



8602C3-734-B-45H-E08 Art. No. 227391

Ambient Conditions

| | |
|-------------------------|---|
| Degree of contamination | 3 |
|-------------------------|---|

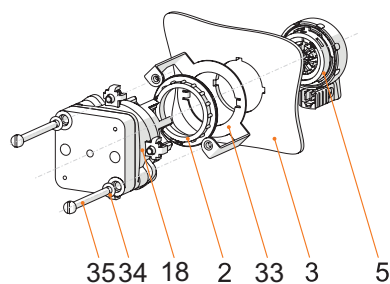
Mechanical Data

| | |
|------------------------------|---|
| Version | lockable |
| Degree of protection (IP) | IP66 |
| Note on degree of protection | acc. to IEC/EN 60529 |
| Enclosure material | Polyamide |
| Silicone-free | Yes |
| Assembly | 734 |
| Diameter | 39 mm |
| Service life, min. | 10 ⁵ actuations |
| Impact strength (IEC 60079) | 7 J |
| Impact strength (IEC 62262) | min. IK08 |
| Colour | Black |
| Mounting | Thread type |
| Designation plate | 0/OFF - I/ON |
| Seal | Standard |
| Lockable in | One pos. with one lock |
| Packaging unit | 1 |
| Weight | 0.04 kg |
| Weight | 0.09 lb |
| Decription note | 0/OFF-I/ON label provided separately. Cylinder lock not enclosed. Other labels must be ordered separately. |

Mounting / Installation

| | |
|--------------------------|--------------|
| Tightening torque | 3 Nm |
| Tightening torque lbf in | 26.55 lbf in |

Technical Drawings – Subject to Alterations



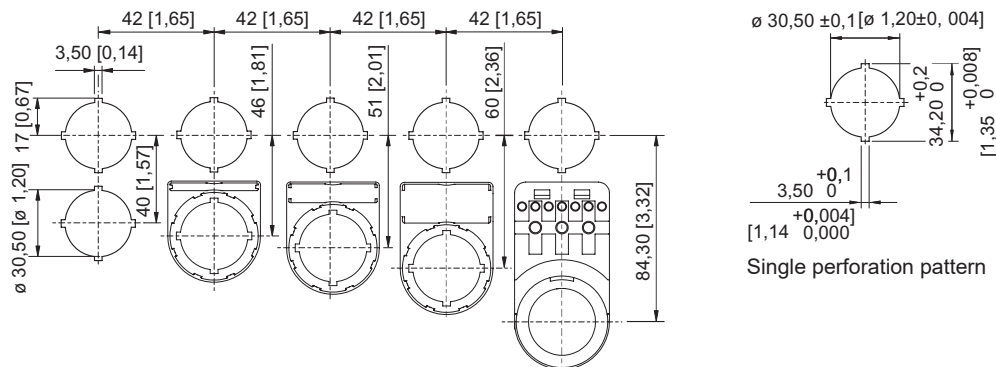
Front installation mounting with control switch series 8008

Legend

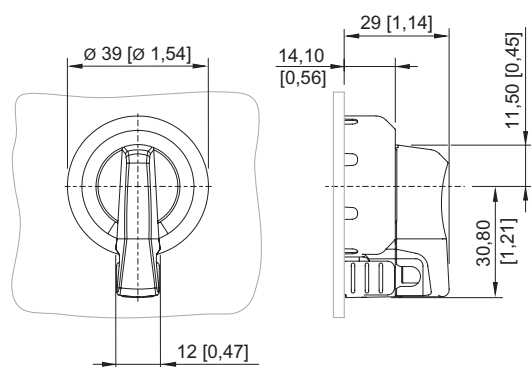
- 2 = Jam nut (order no. 205592)
- 3 = Installation wall (wall thickness max. 2 mm [0.0787in])
- 5 = Actuator 8302/3 with seal (4)
- 18 = Control switch 8008/2-
- 33 = Adaptor 8602/3 for front installation for type 8008/2
- 34 = Disc M4
- 35 = Screw M4x

8602C3-734-B-45H-E08 Art. No. 227391

Dimensional Drawings (All Dimensions in mm [inches]) – Subject to Alterations



Standard cut-out with / without front label



8602/3-734 Rotary actuator, padlockable using 1 lock
Actuator with radial actuation

Accessories

Label holder



Size 1, without insert disc, 1-line label for actuators Ø 39

Art. No.

223566

Insert discs for label holder



1-line
Plain
Material: PVC
Colour: White
Self-adhesive

Art. No.

238271



2-line
Plain
Material: PVC
Colour: White
Self-adhesive

238272







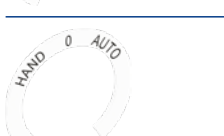

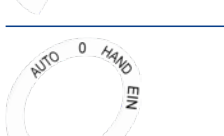

3-line
Plain
Material: PVC
Colour: White
Self-adhesive

238273

8602C3-734-B-45H-E08 Art. No. 227391


Labels for small BG 732, BG 734 rotary actuator

Art. No.

| | | |
|--|---------------------------|--------|
|  | Ø 30.8 0/OFF I/ON | 227489 |
|  | Ø 30.8 0 I | 227490 |
|  | Ø 30.8 I 0 II | 227491 |
|  | Ø 30.8 0 I | 227492 |
|  | Ø 30.8 HAND 0 AUTO | 227494 |
|  | Ø 30.8 AUS EIN | 269983 |
|  | Ø 30.8 AUTO 0 HAND EIN | 269984 |
|  | Ø 30.8 AUTO 0 HAND | 269985 |


Labels for small BG 732, BG 734 rotary actuator and BG 726, BG 727 axial rotary actuator

Art. No.

| | | |
|--|-----------------|--------|
|  | Ø 30.8 plain | 227495 |
|--|-----------------|--------|

Closing part

Art. No.

| | | |
|--|--|--------|
|  | 8602C3-733-B for closing unused holes in cover, Ø 30.5 mm, NBR | 244306 |
| | 8602C3-733-S for closing unused holes in cover, Ø 30.5 mm, silicone | 244307 |

Installation Equipment

Rotary actuator, small Padlockable



8602C3-734-B-45H-E08 Art. No. 227391

Cylinder lock

Art. No.



for closing (bracket Ø 3)

107115

Spare Parts

Label holder

Art. No.



Size 2, without insert disc, 1- or 2-line label
for actuators Ø 39

223567



Size 3, without insert disc, 1-, 2- or 3-line label
for actuators Ø 39

223568

Special key

Art. No.



for tightening plastic locking nut

169101

Adaptor for front installation

Art. No.



8602/3 Front installation for control switch series 8008

260081

We reserve the right to make alterations to the technical data, dimensions, weights, designs and products available without notice. The illustrations cannot be considered binding.