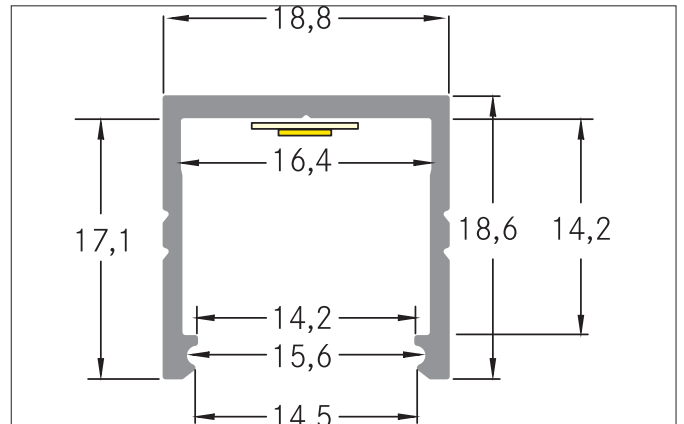


P16-16 Surface-mounted profile

Article no. 53607260

Light.
For Generations.**Tender**

Surface-mounted profile P16-16, alu. for Mounting method: Mounting profile. Material: Aluminium, dimensions profile: length: 2.000 mm x width: 18,8 mm x height: 18,6 mm .

Product Benefits

- Simple surface mounted profile.
 - Available in black and anodized aluminum.
 - Up to 4 meters in length in one piece.
- (For deliveries beyond 2000 mm: Please ask for delivery costs separately).
- Extensive accessories.
 - Covers on roll, up to 80 meters in one piece.

Article data	
Article no.	53607260
GTIN	4251433945048
Series name	P16-16
Short description	Surface-mounted profile
Material	Aluminium
Colour	Alu
Length	2,000 mm
Width	18.8 mm
Hight	18.6 mm
Weight	0.380 kg

P16-16 Surface-mounted profile

Article no. 53607260

Light.
For Generations.

Packing data	
Gross weight	0.79 kg
Length of packaging	2,020 mm
Packaging width	45 mm
Packaging height	45 mm
Note	Please note that the materials aluminium and PMMA or PC can expand differently with changes in temperature! At a temperature change of 10°C, the coefficient of expansion is approx. aluminium is approx. 0.7mm per metre, for plastic approx. 1.5mm per metre. This is not a defect in the product, this is a normal physical process.
Disposal at end of life	This product must not be disposed of with household waste. You are obliged, to dispose of such electrical waste separately. By disposing of electrical waste and other old or defective electronics separately, you support recycling or other forms of re-use. In that way you help to take care and to avoid that harmful substances get into the environment.