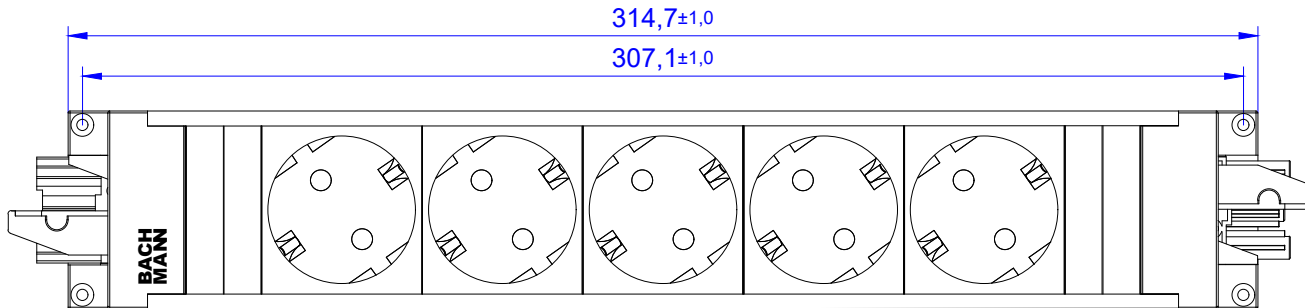
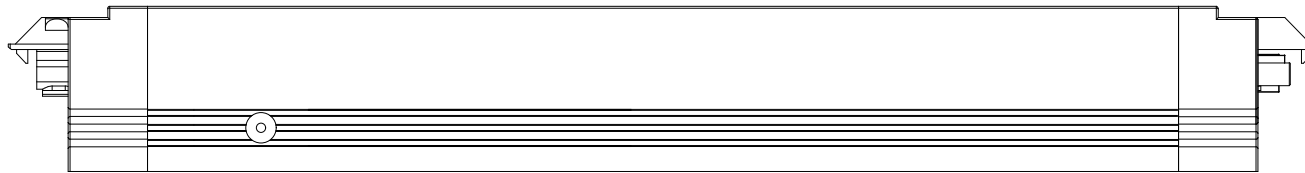
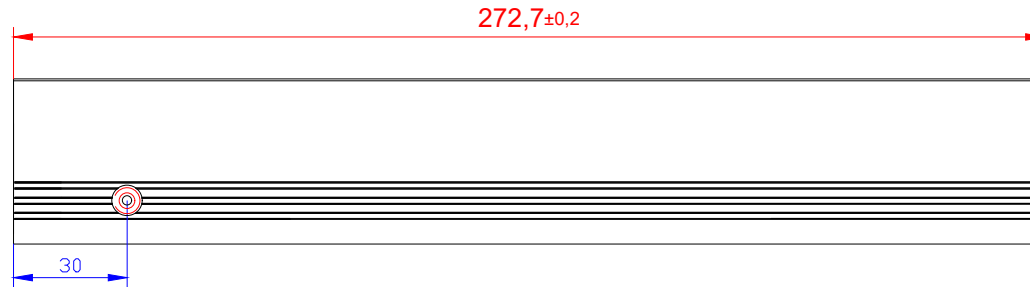
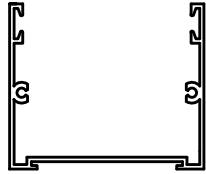


906.19145



Werkstoff / Material: siehe Einzelteile / look at the single parts		Gewicht / Weight: Bezeichnung / Title: STEP ALU 5x CEE 7/3	Oberfläche / Surface:	Winkel +/- 0,5° Angle +/- 0,5°	
Datum 30.05.2023	Name Goga	Zeichg.Nr / Draw.-No.:		Freimaßtoleranz / General Tolerance:	
Geschneid. Drum	30.05.2023	Art.Nr.: 906.19145		0-1 +/- 0,05	
Prüfmittel / Examined	Goga	Maßstab / Scale: 1:1	Format / Draw.-Size: A3	>1-7 +/- 0,10	
Status / State:		Blatt / Sheet: 1	>7-15 +/- 0,15		
Änderungen / Changes		Datum / Date		>15-30 +/- 0,20	
Datum / Date		Name / Name:		>30 +/- 0,25	
Name / Name:		The reproduction, distribution and utilization of this document as well as the communication of its contents to others without express authorization is prohibited. Offenders will be held liable for the payment of damages. All rights reserved in the event of the grant of a patent, utility model or design.			