

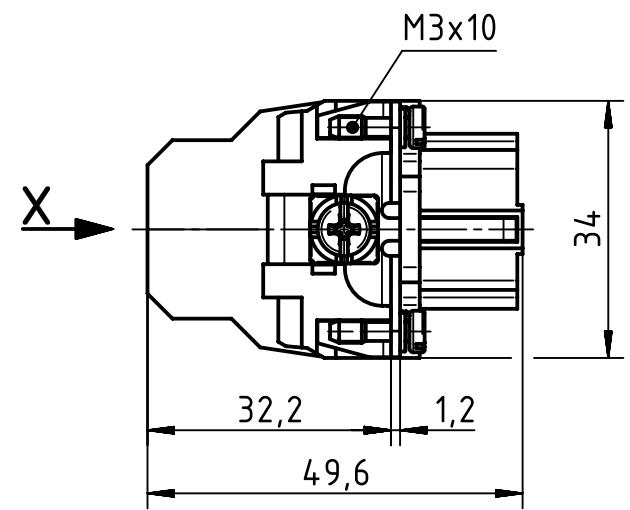
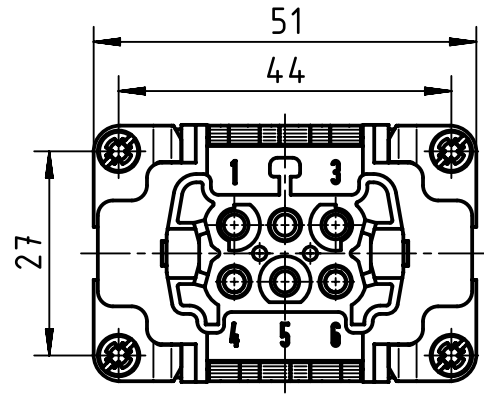
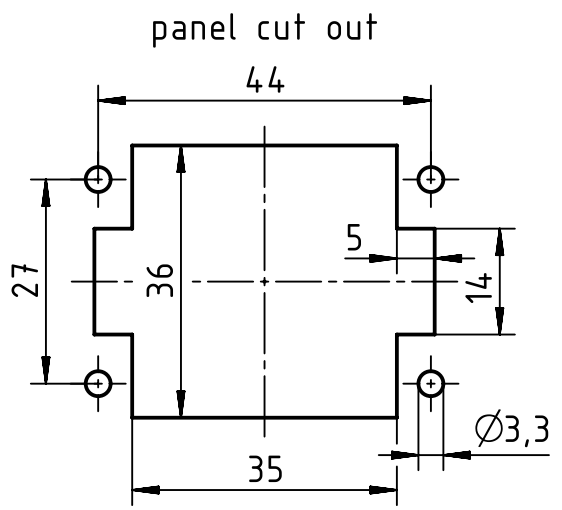
1 2 3 4 5 6

A

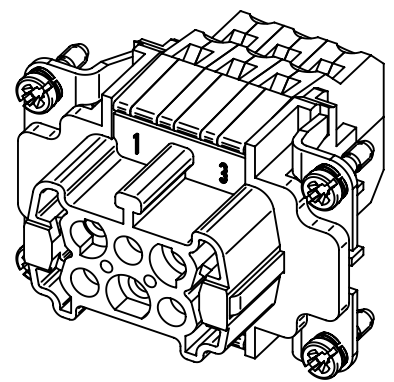
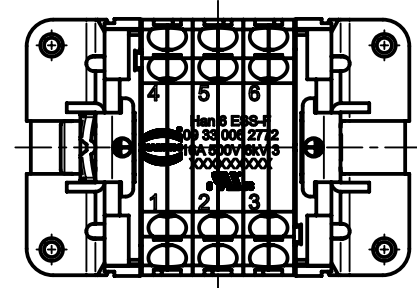
B

C

D



180°



	All rights reserved Department EL PD HARTING Electric GmbH & Co. KG D-32339 Espelkamp	All Dimensions in mm Original Size DIN A4		Scale 1:1	Free size tol.	Ref. Sub.
		Created by BALSAN	Inspected by PRIESTER	Standardisation TIEMANNA	Date 2018-12-03	State Final Release
Title Han ESS 06 Pos. F Insert Double Cage Cla						Rev. B
Type TB				Number 09 33 006 2772		Page 1/1