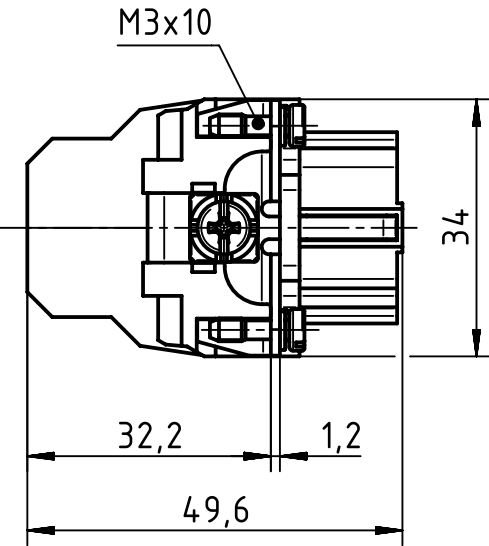
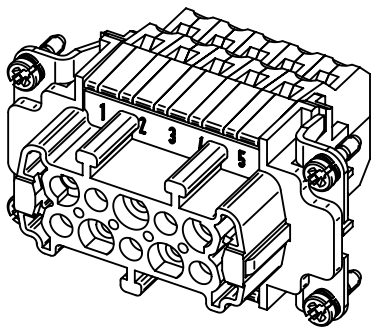
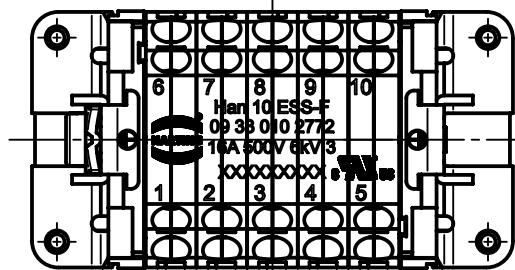


X



X  
180°



	All Dimensions in mm Original Size DIN A4	Scale 1:1		Free size tol.		Ref.	
		Created by BALSAN		Inspected by PRIESTER		Standardisation GARSKE	
	All rights reserved Department EL PD	Title Han ESS 10 Pos. F Insert Double Cage Cla		State Final Release		Doc-Key / ECM-Nr. 1001301179/UGD/003/B 500000127364	
		HARTING Electric GmbH & Co. KG D-32339 Espelkamp		Type TB	Number 09 33 010 2772		Rev. B