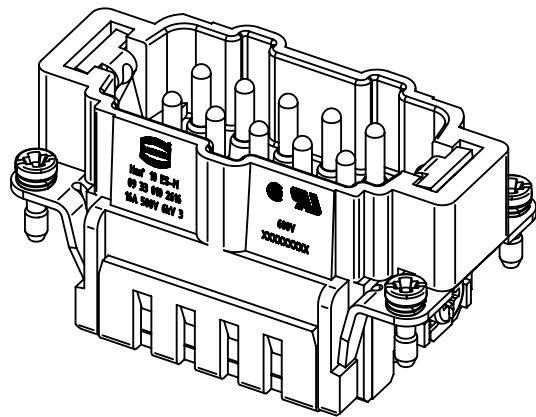
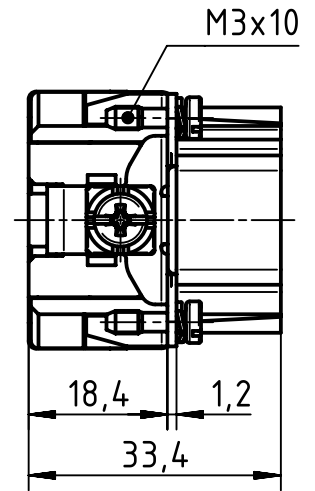
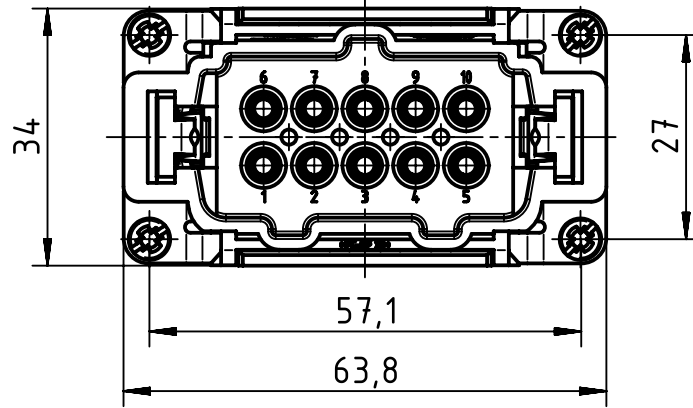
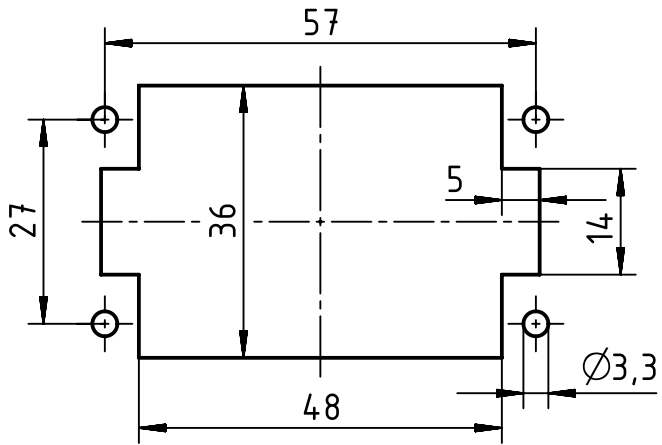


1 2 3 4 5 6

panel cut out



	All Dimensions in mm Original Size DIN A4		Scale 1:1	Free size tol.		Ref.
						Sub.
	All rights reserved Department EL PD - DE		Created by HELLMANN	Inspected by BERGHORN	Standardisation TIEMANNA	Date 2017-04-27
	HARTING Electric GmbH & Co. KG D-32339 Espelkamp		Title Han 10ES-M			State Final Release
			Type TB	Number 09 33 010 2616		Rev. C
						Page 1/1