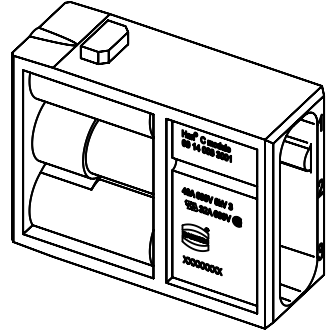


Wire diameter over insulation  $\leq 4,8\text{mm}$  stripping length 9,5mm  
 $> 4,8\text{mm}$  stripping length 12mm  
 For wires with maximum wire diameter over insulation up to 7,8 mm



	All Dimensions in mm Original Size DIN A4		Scale 2:1	Free size tol.		Ref.		
						Sub.		
	All rights reserved		Created by HELLMANN	Inspected by NICHTERLEIN	Standardisation SCHMIDTM	Date 2018-04-27	State Final Release	
	Department EL PD - DE		Title Han C module, crimp male				Doc-Key / ECM-Nr. 100086337/UGD/018/E 500000134561	
HARTING Electric GmbH & Co. KG D-32339 Espelkamp			Type TB	Number 09 14 003 3001			Rev. E	Page 1/1