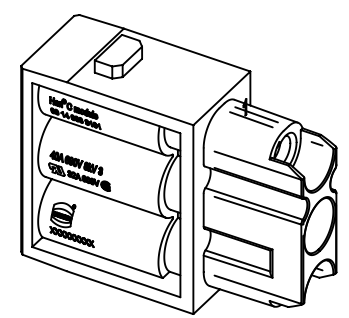
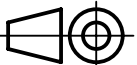



Wire diameter over insulation  $\leq 4,8\text{mm}$  stripping length 9,5mm  
 $> 4,8\text{mm}$  stripping length 12mm

For wires with maximum wire diameter over insulation up to 7,8 mm



 All Dimensions in mm Original Size DIN A4	Scale	Free size tol.			Ref.
	1:1				Sub.
 All rights reserved Department EL PD - DE	Created by	Inspected by	Standardisation	Date	State
	HELLMANN	NICHTERLEIN	SCHMIDTM	2018-04-27	Final Release
HARTING Electric GmbH & Co. KG D-32339 Espelkamp	Title				Doc-Key / ECM-Nr. 100086335/UGD/019/F 500000134561
	Han C module, crimp female				
Type		Number		Rev.	Page
TB		09 14 003 3101		F	1/1