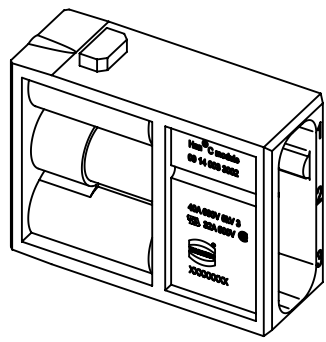
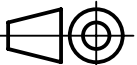



Wire diameter over insulation  $\leq 4,8\text{mm}$  stripping length 9,5mm  
 $> 4,8\text{mm}$  stripping length 12mm

For wires with maximum wire diameter over insulation up to 7,8 mm



 All Dimensions in mm Original Size DIN A4	Scale	Free size tol.			Ref.
	1:1				Sub.
 All rights reserved Department EL PD - DE	Created by	Inspected by	Standardisation	Date	State
	HELLMANN	NICHTERLEIN	SCHMIDTM	2018-04-27	Final Release
HARTING Electric GmbH & Co. KG D-32339 Espelkamp	Title				Doc-Key / ECM-Nr. 100086336/UGD/014/E 500000134561
	Han C module, crimp male				
Type	Number	Rev.			Page
TB	09 14 003 3002	E			1/1