

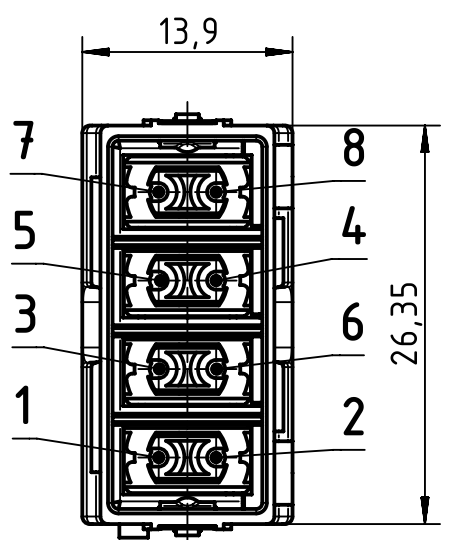
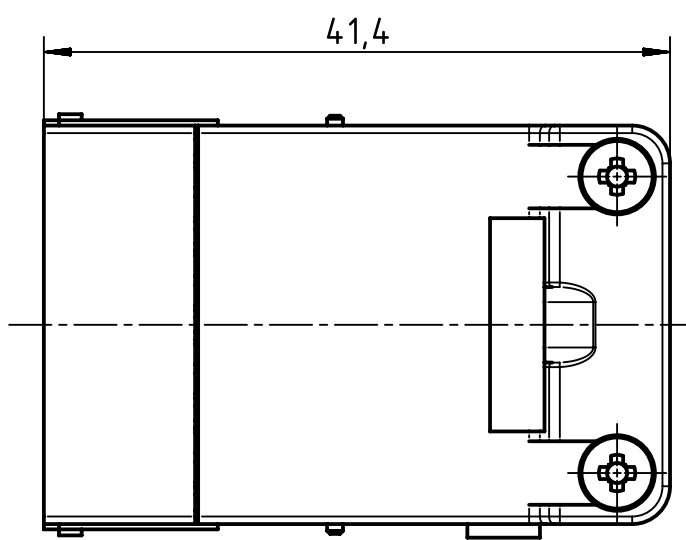
1 2 3 4 5 6

A

B

C

D

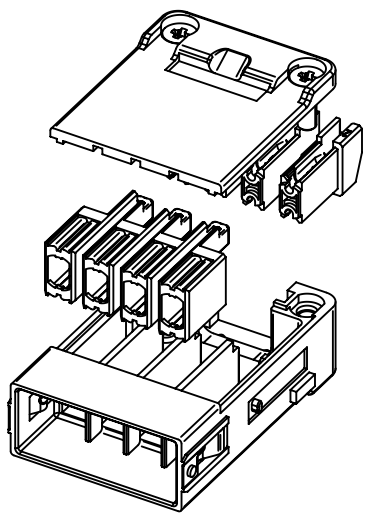


wiring acc. EIA/TIA 568A
view from termination side

| | | | |
|--------|----|----|--------------|
| brown | 8• | •7 | white/brown |
| blue | 4• | •5 | white/blue |
| orange | 6• | •3 | white/orange |
| green | 2• | •1 | white/green |

wiring acc. EIA/TIA 568B
view from termination side

| | | | |
|--------|----|----|--------------|
| brown | 8• | •7 | white/brown |
| blue | 4• | •5 | white/blue |
| green | 6• | •3 | white/green |
| orange | 2• | •1 | white/orange |



Kind of delivery: piece parts

| | | | | | | | | |
|---|--|--|----------------------------------|--------------------------|----------------------------|--------------------|--|-------------|
| | All Dimensions in mm Original Size DIN A4 | | Scale 2:1 | Free size tol. | | Ref. Sub. | | |
| | All rights reserved Department EL PD - DE | | Created by TEICHRIBR | Inspected by RIEPE | Standardisation RUETERA | Date 2018-05-09 | State Final Release | |
| HARTING Electric GmbH & Co. KG D-32339 Espelkamp | | | Title Han Gigabit insert male | | | | Doc-Key / ECM-Nr. 100174322/UGD/007/C 500000134992 | |
| | | | Type TB | Number 09 14 008 3011 | | | Rev. C | Page 1/1 |