

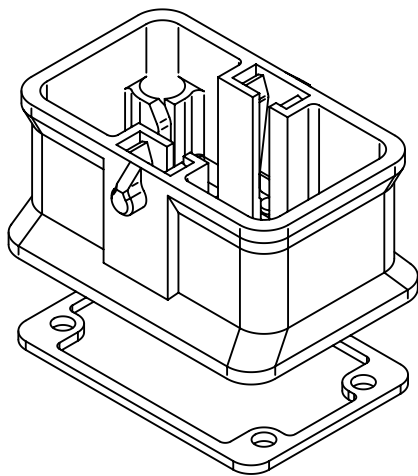
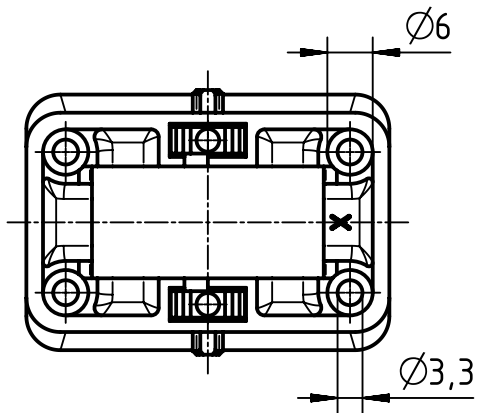
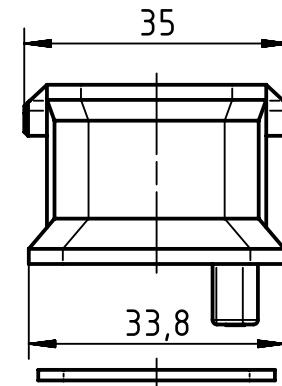
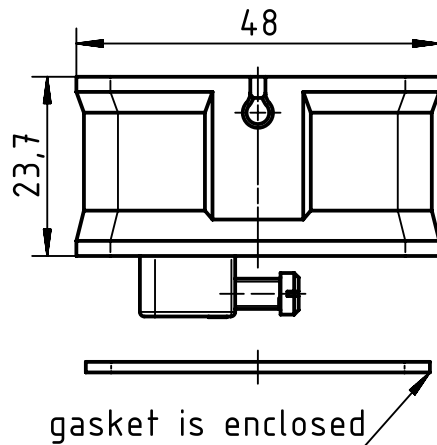
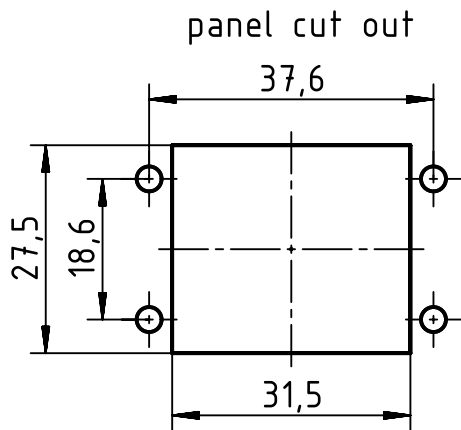
1 2 3 4 5 6

A

B

C

D



	All rights reserved Department EL PD - DE	All Dimensions in mm Original Size DIN A4		Scale 1:1	Free size tol.	Ref.
		HARTING Electric GmbH & Co. KG D-32339 Espelkamp	Created by GERB	Inspected by BERGHORN	Standardisation TIEMANNA	Date 2016-01-13
Title Han-Modular Compact carrier hood						Doc-Key / ECM-Nr. 100132860/UGD/003/D 500000098323
Type TB				Number 09 14 001 0311		Rev. D
						Page 1/1