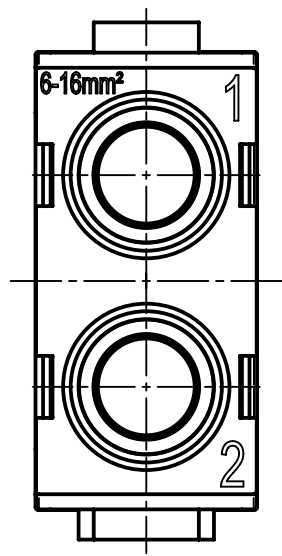
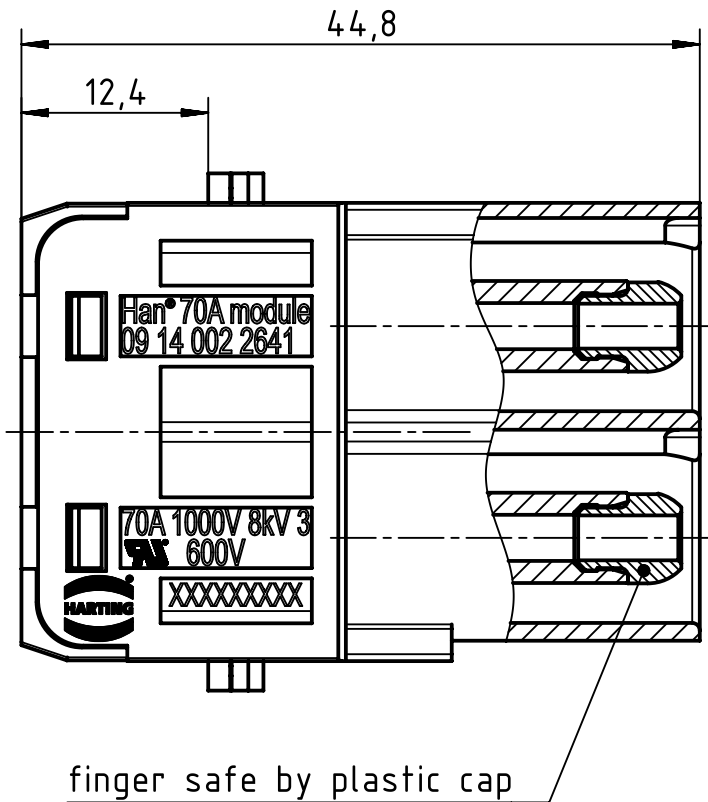
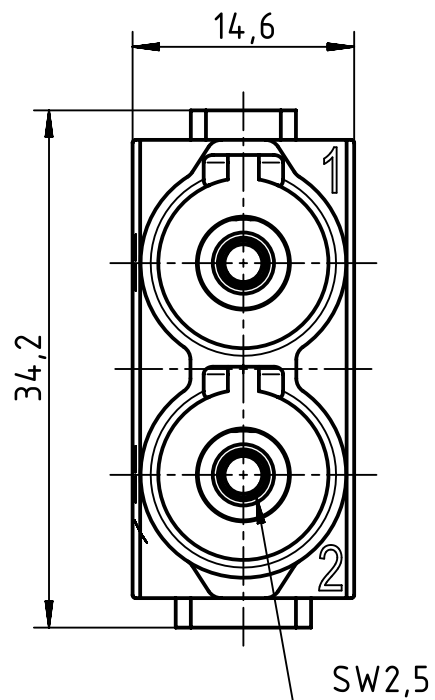
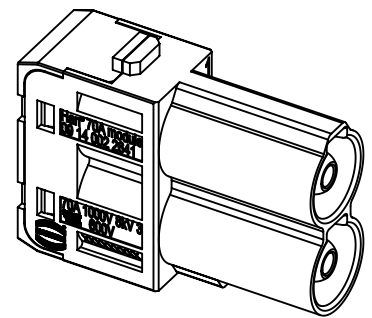


1 2 3 4 5 6

A  
B  
C  
D



for stranded wire 6-16mm<sup>2</sup>, AWG 10-6, fine wire



|   |  |  |                |                 |            |  |      |
|---|--|--|----------------|-----------------|------------|--|------|
|   | All Dimensions in mm<br>Original Size DIN A4 | Scale  | Free size tol. |                 |            | Ref.   |      |
|   |  | 2:1  |                |                 |            | Sub.   |      |
|   | All rights reserved<br>Department EL PD      | Created by                                     | Inspected by   | Standardisation | Date       | State  |      |
|   |  | SPRENB   | NICHTERLEIN    | SCHMIDTM        | 2018-09-06 | Final Release  |      |
| HARTING Electric GmbH & Co. KG<br>D-32339 Espelkamp |  | Title  |                |                 |            | Doc-Key / ECM-Nr.<br>100173714/UGD/010/D<br>500000139331 |      |
|   |  | Han 70A axial module, male 6-16mm <sup>2</sup> |                |                 |            |  |      |
|   |  | Type   | Number         |                 |            | Rev.   | Page |
|   |  | TB   | 09 14 002 2641 |                 |            | D  | 1/1  |