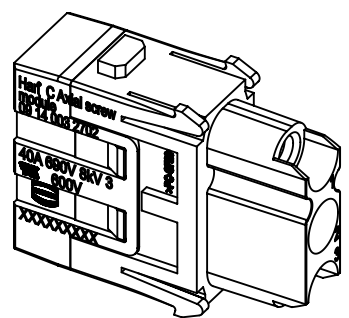


for stranded wire 6-10mm<sup>2</sup>, AWG 10-8, fine wire



	All Dimensions in mm Original Size DIN A4	Scale	Free size tol.			Ref.
		2:1				Sub.
	All rights reserved Department EL PD	Created by	Inspected by	Standardisation	Date	State
		RULLKOETTER	RIEPE	RUETERA	2018-10-15	Final Release
HARTING Electric GmbH & Co. KG D-32339 Espelkamp		Title Han C axial module, female 6-10mm <sup>2</sup>				Doc-Key / ECM-Nr. 100169976/UGD/007/E 500000141283
		Type	Number		Rev.	
		TB	09 14 003 2702		E	1/1