

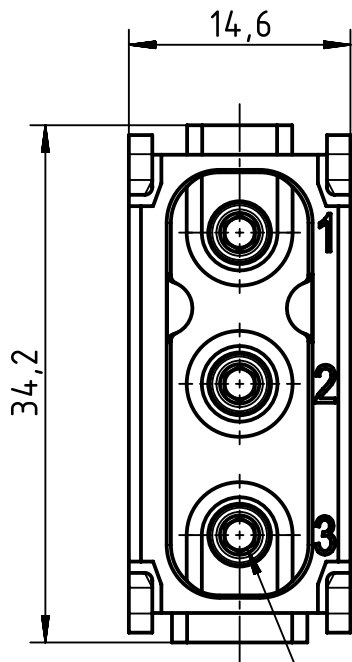
1 2 3 4 5 6

A

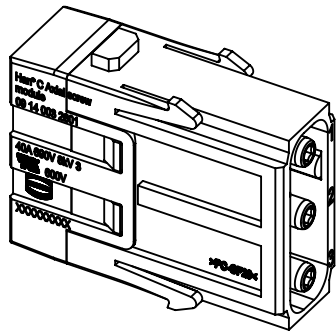
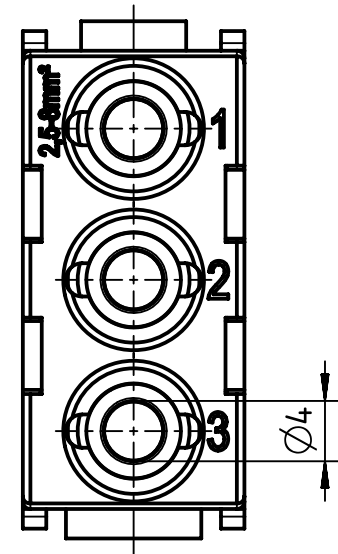
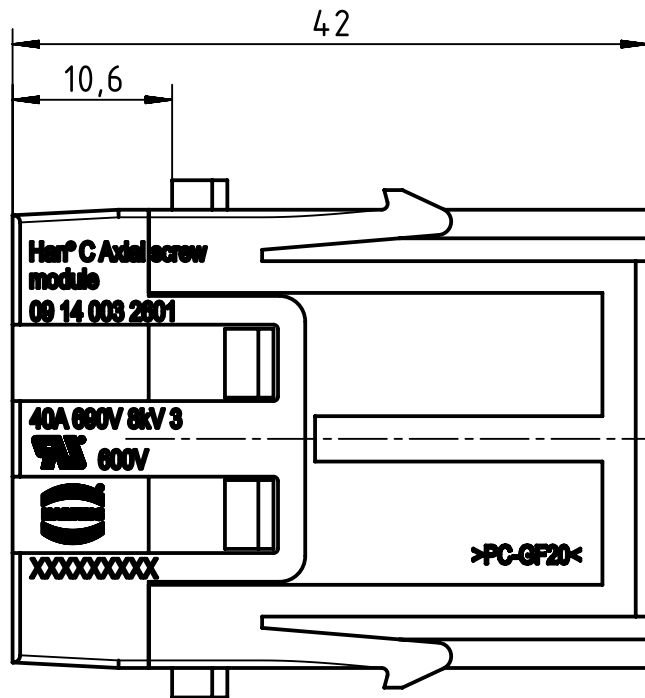
B

C

D



SW 2



for stranded wire 2,5-8mm², AWG 14-8, fine wire

	All Dimensions in mm Original Size DIN A4	Scale	Free size tol.		Ref.	
		2:1			Sub.	
	All rights reserved Department EL PD	Created by	Inspected by	Standardisation	Date	State
		RULLKOETTER	RIEPE	TIEMANNA	2018-10-02	Final Release
HARTING Electric GmbH & Co. KG D-32339 Espelkamp		Title Han C axial module, male 2,5-8mm ²			Doc-Key / ECM-Nr. 100169076/UGD/004/D 50000014.0842	
		Type	Number		Rev.	Page
		TB	09 14 003 2601		D	1/1