

8510/132-30-100-020 Art. No. 211092



- Constant power supply for control circuits
- Protected against sustained short-circuit current, overload and idle running
- Corrosion-resistant enclosure material

WebCode **8510Y**



The R. STAHL Series 8510 power supply provides a constant power supply for control circuits. It is protected against sustained short-circuit current, overload and idle running and is therefore extremely reliable in operation. It can be fitted in Ex e enclosures using an anti-vibration screw connection, easily accessible terminals simplify installation.

Technical Data

Explosion Protection

Application range (zones)	1 2
IECEX gas certificate	IECEX BVS 07.0029U
IECEX gas explosion protection	Ex de IIC
IECEX firedamp certificate	IECEX BVS 07.0029U
IECEX firedamp protection	Ex de I
ATEX gas certificate	DMT 00 ATEX E 073 U
ATEX gas explosion protection	⊕ II 2 G Ex de IIC
ATEX firedamp certificate	DMT 00 ATEX E 073 U
ATEX firedamp protection	⊕ I M2 Ex de I
Certificates	Brazil (ULB), Canada (FM), IECEX (BVS), USA (FM)

Electrical Data

Input voltage	220 – 240 V AC
Input current	1.6 A (100 A AC)
Output current	3 A
Frequency Hz (for AC)	60 50

Output

Output voltage	24.5 V DC
----------------	-----------

Ambient Conditions

Ambient temperature	-10 °C ... +40 °C
---------------------	-------------------

Mechanical Data

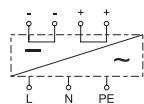
Degree of protection (IP)	IP20
Enclosure material	Epoxy resin
Connection terminals min.	1.5 mm ²
Connection terminals solid max.	10 mm ²

8510/132-30-100-020 Art. No. 211092

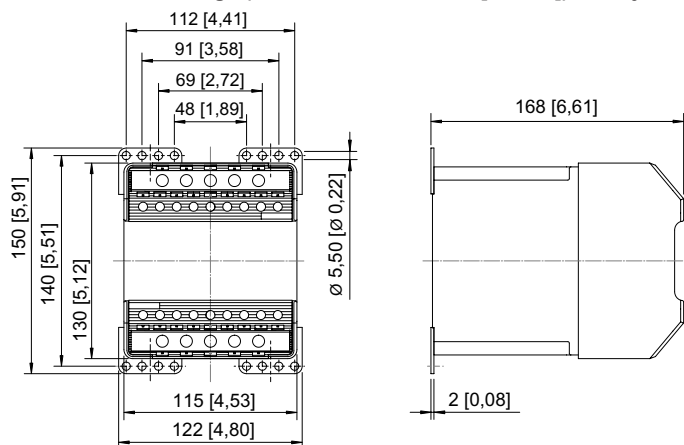
Mechanical Data

Connection terminals finely-stranded max.	6 mm ²
Type of connection cable	Solid Finely stranded
Width	115 mm
Height	130 mm
Depth	168 mm
Weight	2.6 kg
Weight	5.73 lb

Technical Drawings – Subject to Alterations



Dimensional Drawings (All Dimensions in mm [inches]) – Subject to Alterations



8510/132

We reserve the right to make alterations to the technical data, dimensions, weights, designs and products available without notice. The illustrations cannot be considered binding.