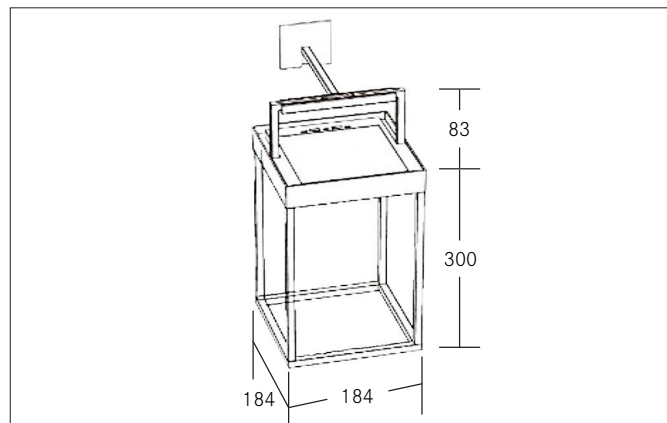


VARIA LED solar luminaire, IP65

Article no. 65311103

Light.
For Generations.**Tender**

LED solar luminaire, IP65, Rectangular. Luminaire length 184.0 mm, Luminaire width 184.0 mm, Height 383.0 mm Weight 2.232 kg, with rotationssymmetrical, deep, wide distributed light intensity. Luminous flux 210 lm, Power 1 x 2,2 W, Light colour warm white to warm white, Correlated color temperature (CCT) 2.650 - 3.050 K, Colour rendering index CRI > 80, Housing material: Aluminium / Glass / Plastic, Colour: Graphite structure, Permissible ambient temperature (ta): -20 °C - +25 °C, Protection class (EN 61140): III, Degree of protection (DIN EN 60529): IP65, .For direct connection to mains voltage, on/off switchable.

Product Benefits

Charging time: 6 hrs.

Working time: 11 hrs. at 100% power.

VARIA LED solar luminaire, IP65

Article no. 65311103

Light.
For Generations.

Article data	
Article no.	65311103
GTIN	4251433982784
Series name	VARIA
Short description	LED solar luminaire, IP65
Material	Aluminium / Glass / Plastic
Colour	Graphite
Type of surface	Structure
Shape	Rectangular
Length	184 mm
Width	184 mm
Hight	383 mm
Scope of delivery	incl. USB-C charging cable and ceiling wall mount - 2 x 2,200 mA lithium battery. - Charging time: 6 hrs. - Working time: 11 hrs. at 100% power.
Weight	2.232 kg

Lighting technology	
Colour temperature	2.700 K / 3.000 K
Light colour	White
Light output	Direct
Luminous flux	210 lm
System efficiency	95 lm/W
McAdam-Step	McAdam-Step 3
Colour rendering	CRI > 80
Beam angle	90°
Light sharing	Symmetric
Adjustable color temperature	No

Operating technology of the luminaire	
System output	2.2 W
Voltage type	DC
DC nominal voltage max	3.7 V
Frequenz max.	50 Hz
Lamp	LED
Lamp holder	Without fitting
Protection class	III
Degree of protection	IP65
Control	on/off
Bulb change possible	The light source of this luminaire may only be replaced by the manufacturer or a service technician commissioned by him or a similarly qualified person.

Mounting technology	
Mounting method	Surface mounting
Place of installation	Wall-mounted
Adjustability	Not adjustable
Further references	Outdoor
Suitable for through-wiring	No

VARIA LED solar luminaire, IP65

Article no. 65311103

Light.
For Generations.

Packing data	
Gross weight	2.481 kg
Length of packaging	300 mm
Packaging width	300 mm
Packaging height	300 mm
Disposal at end of life	<p>This product must not be disposed of with household waste. You are obliged, to dispose of such electrical waste separately.</p> <p>By disposing of electrical waste and other old or defective electronics separately, you support recycling or other forms of re-use. In that way you help to take care and to avoid that harmful substances get into the environment.</p>