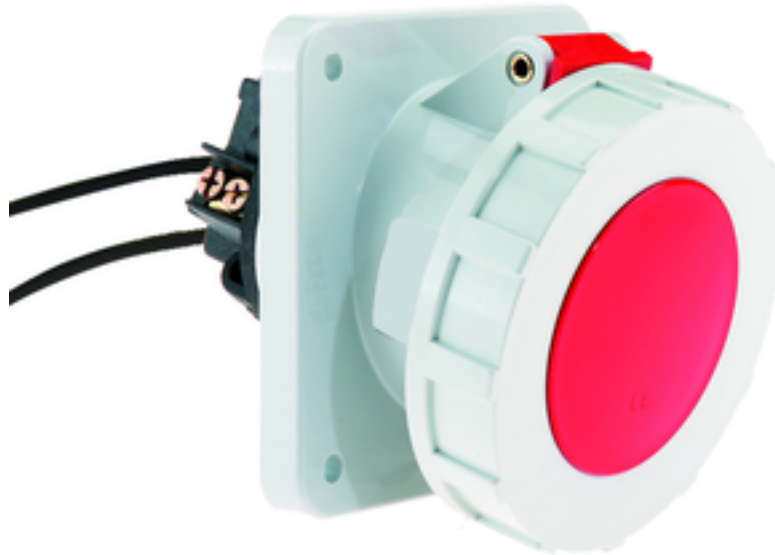


panel mounting socket outlet, angled - flange 114x114, with electrical interlocking PSK

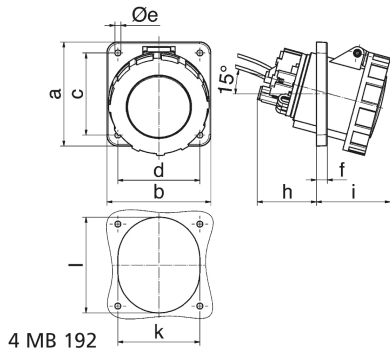


Product description	
BALS-Prd.-Nr	12020
EAN	4024941120203
Product category	Panel mounting socket outlet, angled
Current	63A
Number of poles	5p
Arrangement of phases	3p+N+PE
Position of earth contact	6 h
Voltage	200/346 - 240/415V~

Product description	
Frequency	50/60Hz
Protection degree	IP67
Colour code	red RAL 3000
Colour of appliance	Hinged lid red RAL 3000, Bayonet ring grey RAL 7035, Enclosure grey RAL 7035
Connection design	screw terminal as box terminal with Kontex-contact
Maximum conductor size	25.0 qmm
Cable entry	other
Height	125mm
Width	114mm
Depth	147mm
Flange size vertical in mm	114mm
Flange size horizontal in mm	114mm
Drill hole dist. vertical mm	90mm
Drill hole dist. horizontal mm	90mm
Material of enclosure	Polyamide
Contacts	the contacts are brass nickel plated, The contact carrier is made of high temperature resistant material

Additional technical properties	
	The inclination is 15°, Electrically interlocked with pilot contact for potential-free switching of incorporated auxiliary contact in pilot drill of the socket.

Logistics data	
Weight/pcs	0.62 kg / Piece
Packaging	Bag
Content amount	1 ST
EAN	4024941120203
Length	147 mm
Width	114 mm
Height	125 mm
Weight	0.621 kg
Volume	2,094.75 ccm
Packaging	Carton
Content amount	5 ST
EAN	4024941820318
Length	295 mm
Width	185 mm
Height	215 mm
Weight	3.264 kg
Volume	9,975 ccm



Ampere Polzahl	63 4	63 5	125 4	125 5		
a	114,0	114,0	114,0	114,0		
b	114,0	114,0	114,0	114,0		
c	90,0	90,0	90,0	90,0		
d	90,0	90,0	90,0	90,0		
e ø	6,5	6,5	6,5	6,5		
f	12,0	12,0	12,0	12,0		
h	65,0	65,0	82,0	82,0		
i	81,0	81,0	90,0	90,0		
k	92,0	92,0	92,0	92,0		
l	92,0	92,0	105,0	105,0		
Leiter mm ² min	6	6	25	25		
Leiter mm ² max	25	25	70	70		