

panel mounting socket outlet, angled - flange 114x114,  
fixing centers 90x90



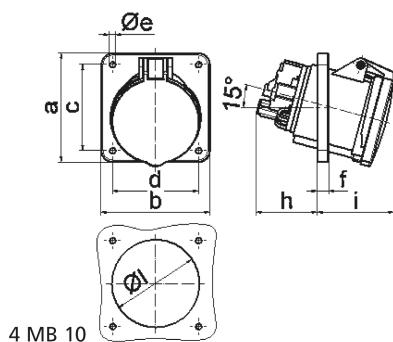
Product description	
BALS-Prd.-Nr	1202
EAN	4024941012027
Product category	Panel mounting socket outlet, angled
Current	63A
Number of poles	5p
Arrangement of phases	3p+N+PE
Position of earth contact	6 h
Voltage	200/346 - 240/415V~

Product description	
Frequency	50/60Hz
Protection degree	IP44
Colour code	red RAL 3000
Colour of appliance	Hinged lid red RAL 3000, Enclosure grey RAL 7035
Connection design	screw terminal as box terminal with Kontex-contact
Maximum conductor size	25.0 qmm
Cable entry	other
Height	119mm
Width	114mm
Depth	148mm
Flange size vertical in mm	114mm
Flange size horizontal in mm	114mm
Drill hole dist. vertical mm	90mm
Drill hole dist. horizontal mm	90mm
Material of enclosure	Polyamide
Contacts	the contacts are brass nickel plated

Additional technical properties	
	The inclination is 15°

Logistics data	
Weight/pcs	0.5 kg / Piece

Logistics data	
Packaging	Bag
Content amount	1 ST
EAN	4024941012027
Length	148 mm
Width	114 mm
Height	119 mm
Weight	0.501 kg
Volume	2,007.768 ccm
Packaging	Carton
Content amount	5 ST
EAN	4024941942171
Length	295 mm
Width	185 mm
Height	215 mm
Weight	2.664 kg
Volume	9,975 ccm



	63	63	63			
Ampere	3	4	5			
Polzahl	3	4	5			
a	114,0	114,0	114,0			
b	114,0	114,0	114,0			
c	90,0	90,0	90,0			
d	90,0	90,0	90,0			
e ø	6,5	6,5	6,5			
f	12,0	12,0	12,0			
h	65,0	65,0	65,0			
i	81,0	81,0	81,0			
l	92,0	92,0	92,0			
Leiter mm <sup>2</sup> min	6	6	6			
Leiter mm <sup>2</sup> max	25	25	25			