

Panel mounted socket, angled TN - flange 85x85, fixing centers 70x70

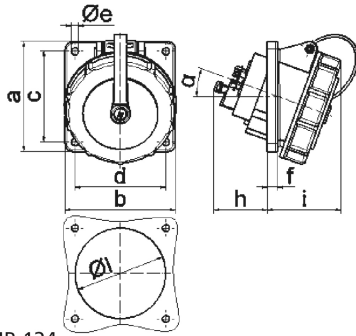


Product description	
BALS-Prd.-Nr	12087
EAN	4024941120876
Product category	TN panel mounting socket outlet Quick-Connect, angled
Current	32A
Number of poles	5p
Arrangement of phases	3p+N+PE
Position of earth contact	6 h
Voltage	200/346 - 240/415V~

Product description	
Frequency	50/60Hz
VG-type-no.:	VG 96919 BS 005
Supply no.:	5935-12-306-7781
Protection degree	IP67
Colour code	bronze-green RAL 6031-F9
Colour of appliance	Hinged lid bronze-green RAL 6031-F9, Enclosure bronze-green RAL 6031-F9, Bayonet ring bronze-green RAL 6031-F9, Enclosure grey RAL 7035
Connection design	screwless spring terminals with Kontex-Kontakt
Maximum conductor size	10,0 qmm
Cable entry	other
Height	110mm
Width	101.5mm
Depth	119mm
Flange size vertical in mm	85mm
Flange size horizontal in mm	85mm
Drill hole dist. vertical mm	70mm
Drill hole dist. horizontal mm	70mm
Material of enclosure	Polyamide
Contacts	The contact carrier is made of high temperature resistant material, the contacts are brass nickel plated

Additional technical properties	
	The inclination is 20°
	With bayonet cover on strap

Logistics data	
Weight/pcs	0.298 kg / Piece
Packaging	Bag
Content amount	1 ST
EAN	4024941120876
Length	119 mm
Width	101.5 mm
Height	110 mm
Weight	0.299 kg
Volume	1,328.635 ccm
Packaging	Carton
Content amount	10 ST
EAN	4024941963343
Length	122 mm
Width	222 mm
Height	538 mm
Weight	3.318 kg
Volume	14,332.32 ccm



4 MB 124

Ampere	16	16	16	32	32	32
Polzahl	3	4	5	3	4	5
a	85,0	85,0	85,0	85,0	85,0	85,0
b	85,0	85,0	85,0	85,0	85,0	85,0
c	70,0	70,0	70,0	70,0	70,0	70,0
d	70,0	70,0	70,0	70,0	70,0	70,0
e \varnothing	5,5	5,5	5,5	5,5	5,5	5,5
f	8,0	8,0	8,0	8,0	8,0	8,0
h	46,0	46,0	46,0	50,0	50,0	50,0
i	57,0	57,0	60,0	67,0	67,0	69,0
l \varnothing	57,0	65,0	70,0	78,0	78,0	78,0
α	20°	20°	20°	20°	20°	20°
Leiter mm ² min	1,5	1,5	1,5	2,5	2,5	2,5
Leiter mm ² max	4,0	4,0	4,0	10,0	10,0	10,0