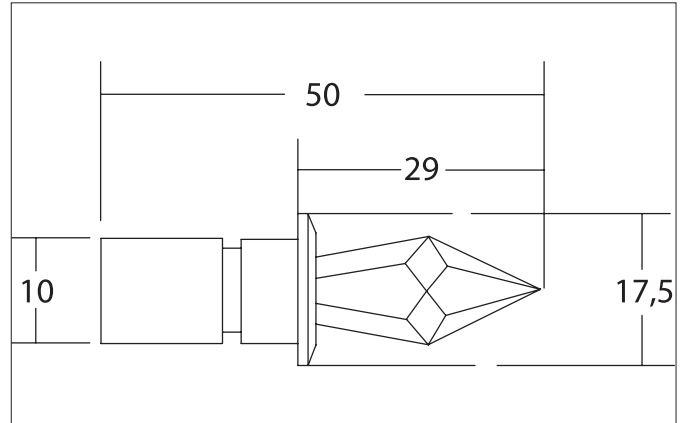
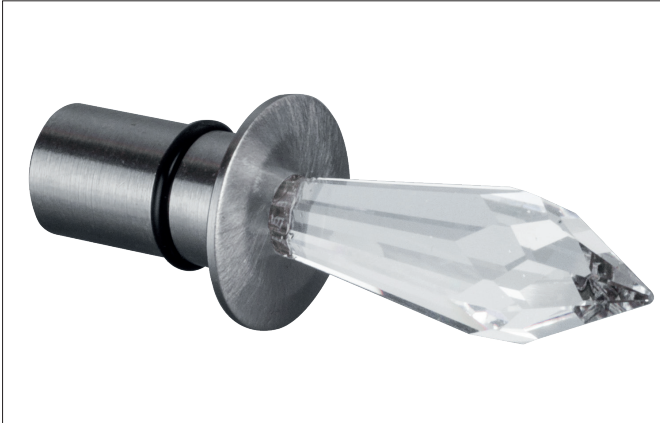


FIBATEC Crystal exit element, for fiber S2 and S2M

Article no. 9733.03

Licht.
Für Generationen.**Tender**

Crystal exit element, for fiber S2 and S2M, chrome, round. Material: brass / crystal glass with facet cut, outer diameter: Ø 17.5 mm, height without crystal: 1.5 mm, height with crystal: 29 mm, installation depth without fiber: 20 mm, installation depth with fiber: 100 mm, drill diameter: Ø 10 mm, fastening type: glue (using Brumberg adhesive 48290000).

Article data	
Article no.	9733.03
GTIN	4250047791294
Series name	FIBATEC
Kurzbeschreibung	Crystal exit element, for fiber S2 and S2M
Material	Brass / Crystal glass
Colour	Chrome
Shape	Round
weight	0.014 kg

Packing data	
Gross weight	0.029 kg
Length of packaging	70 mm
Packaging width	47 mm
Packaging height	81 mm