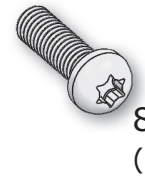
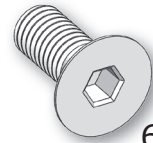
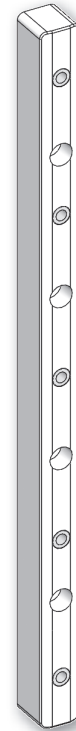
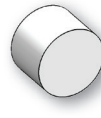
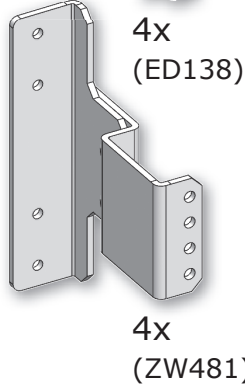
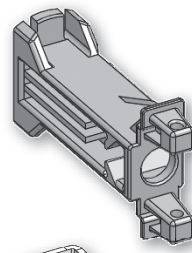
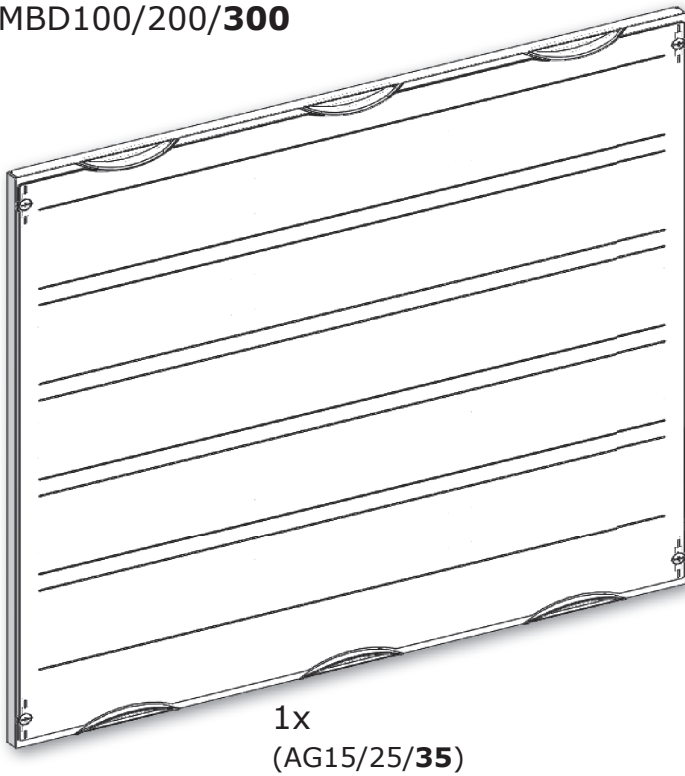
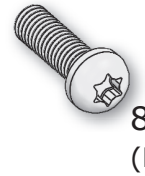
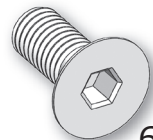
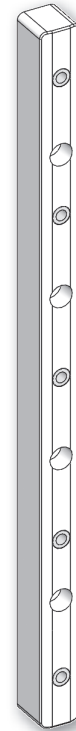
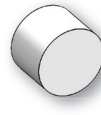
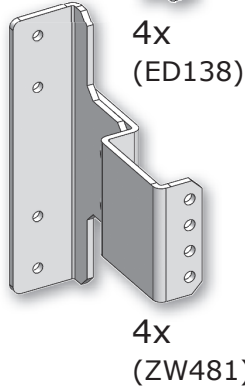
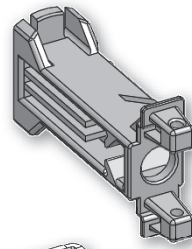
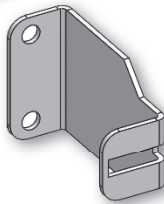
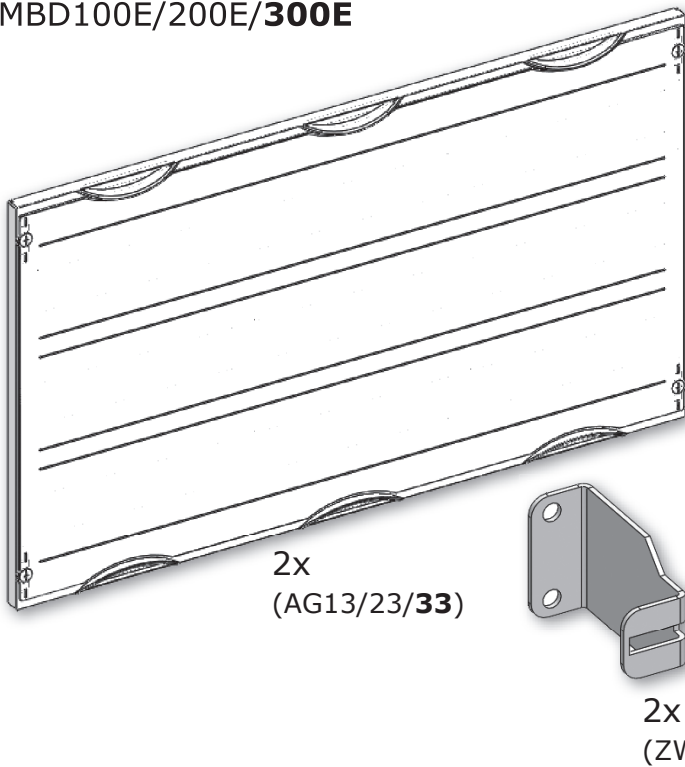


**MBD100/200/300**



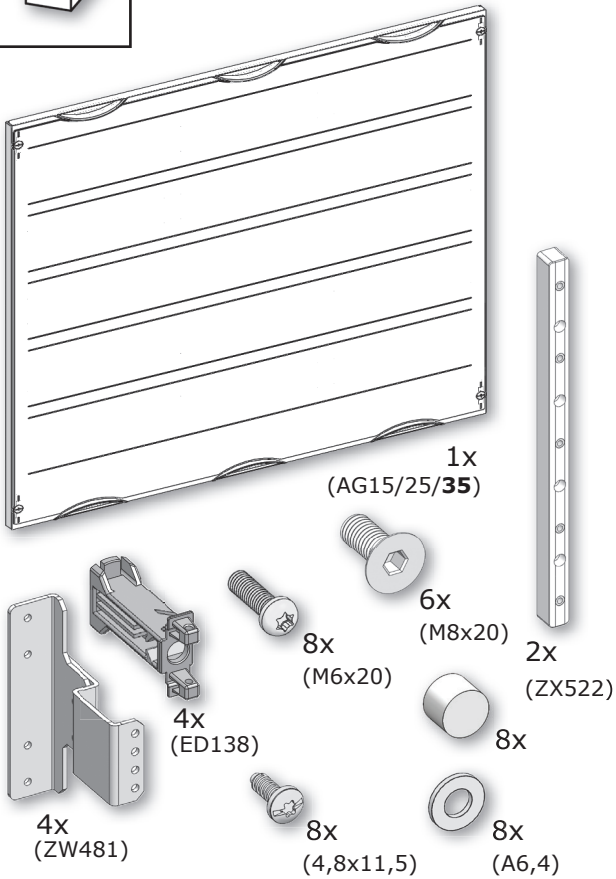
**MBD100E/200E/300E**



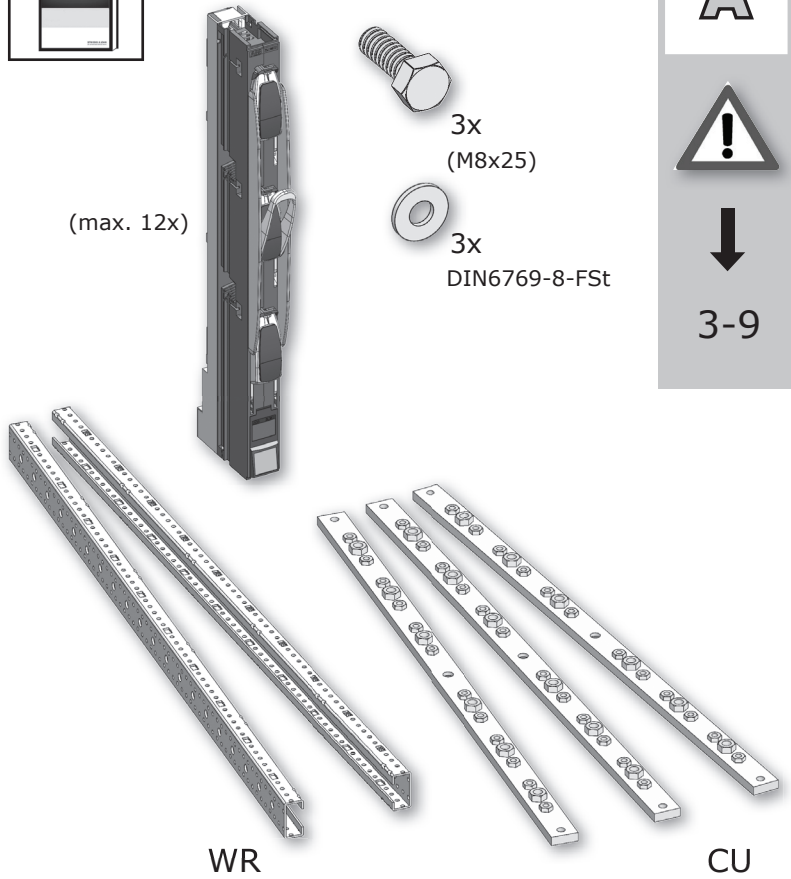
			<p>www.striebelundjohn.com</p>
--	--	--	--------------------------------



**MBD100/200/300**

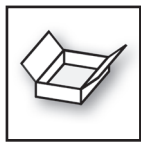


**ZLBM.../ZHBM...**

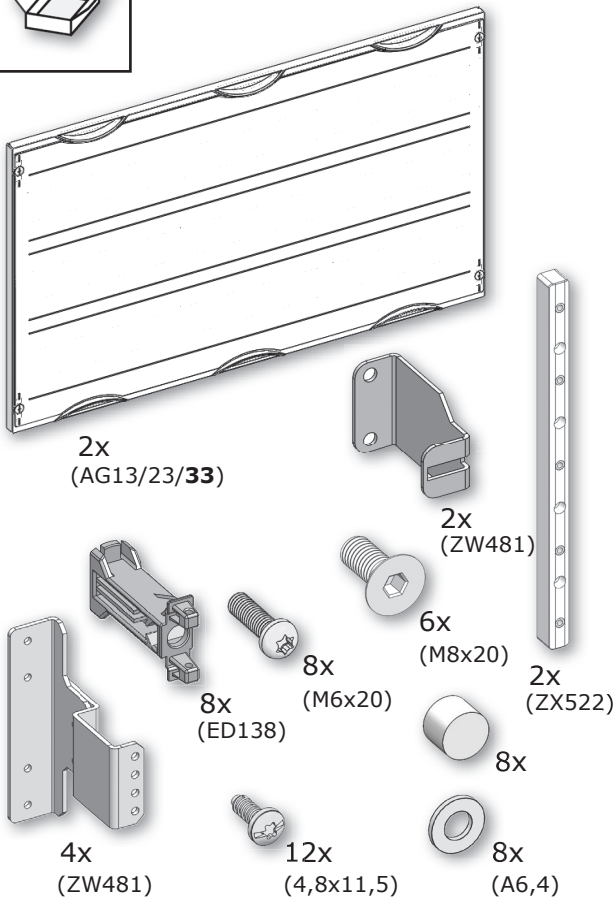


**A**

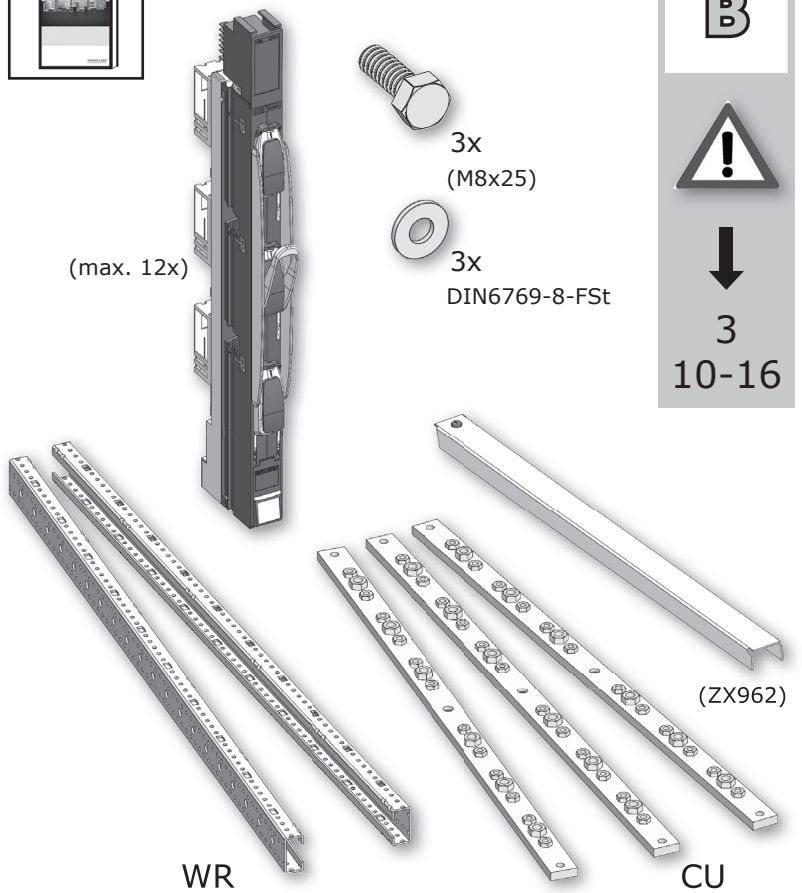
3-9



**MBD100E/200E/300E**



**ZHBM + EFM**

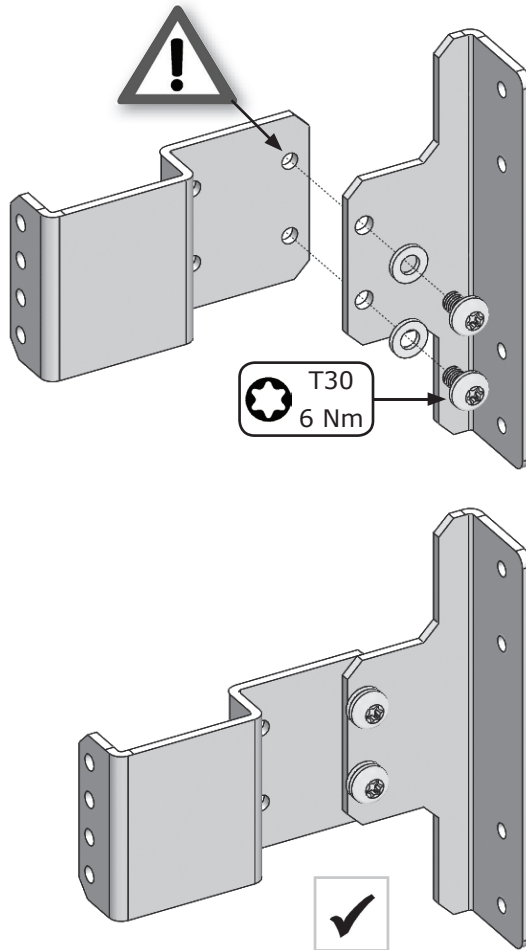
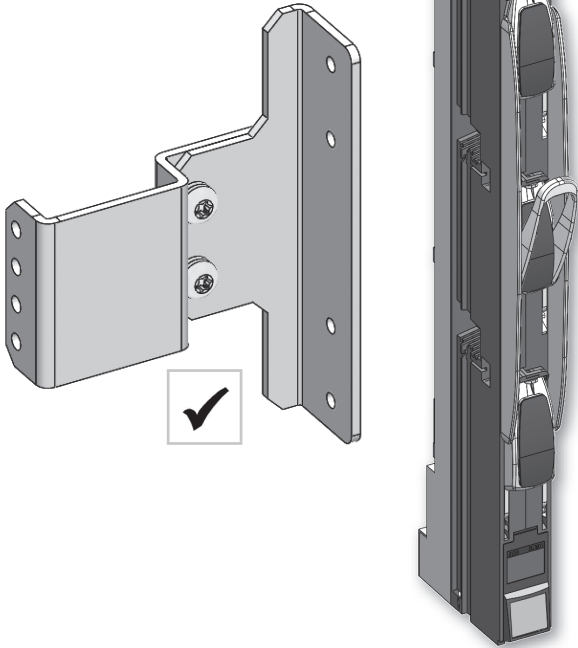


**B**

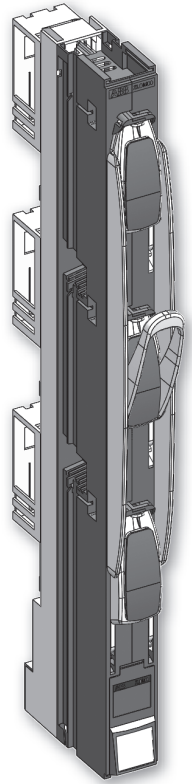
3  
10-16

A

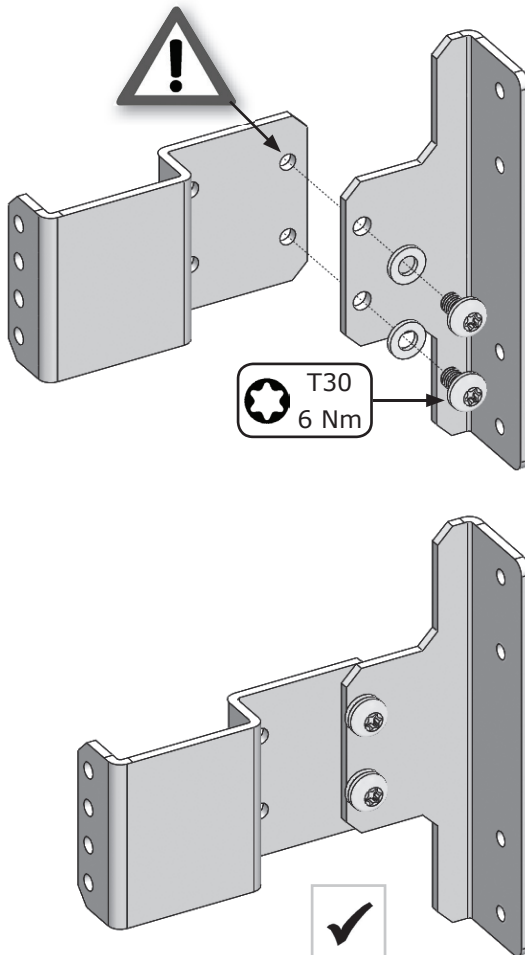
ZLBM..



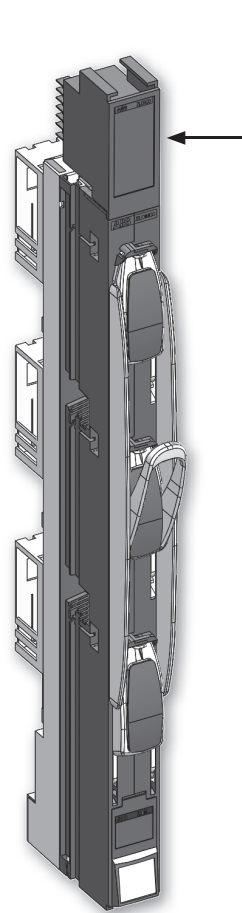
ZHBM..

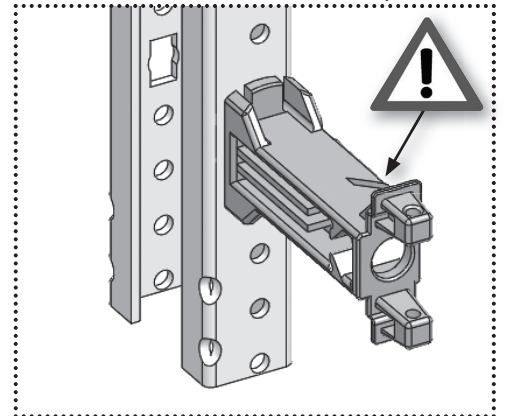
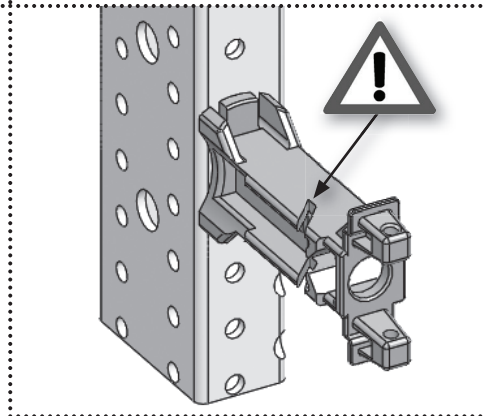
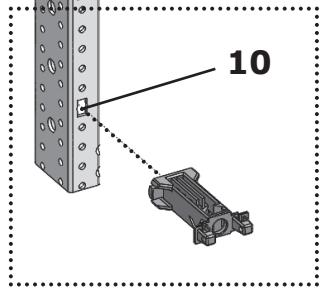
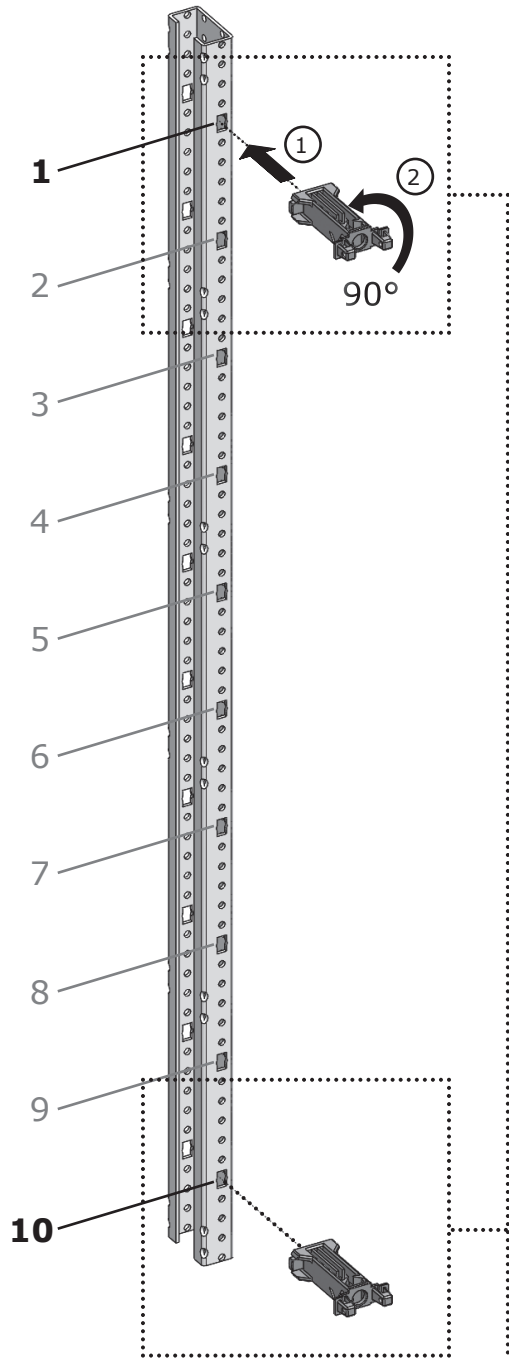
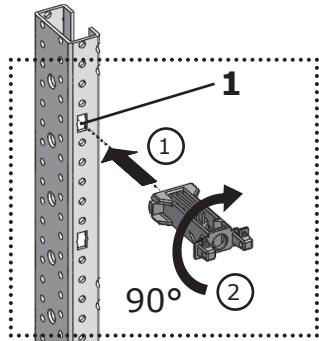


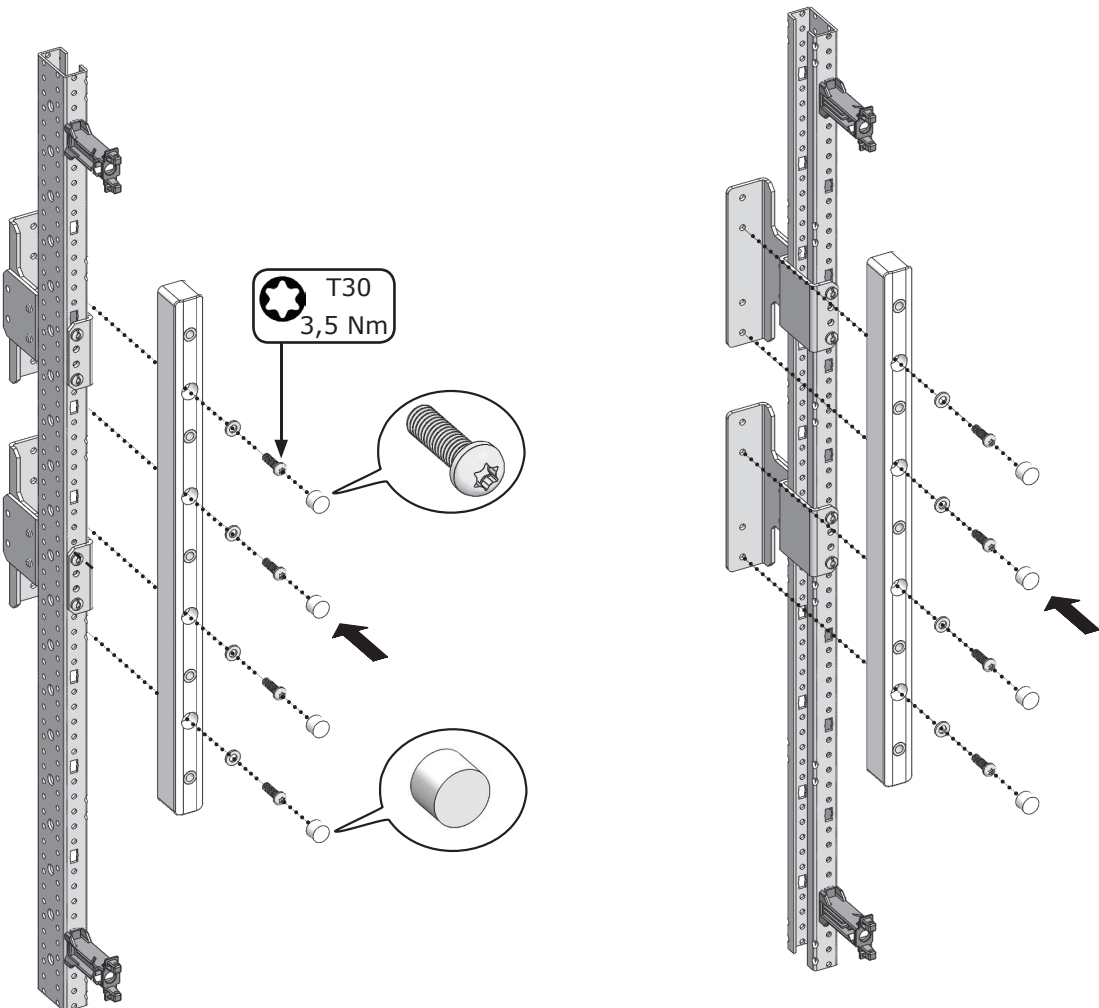
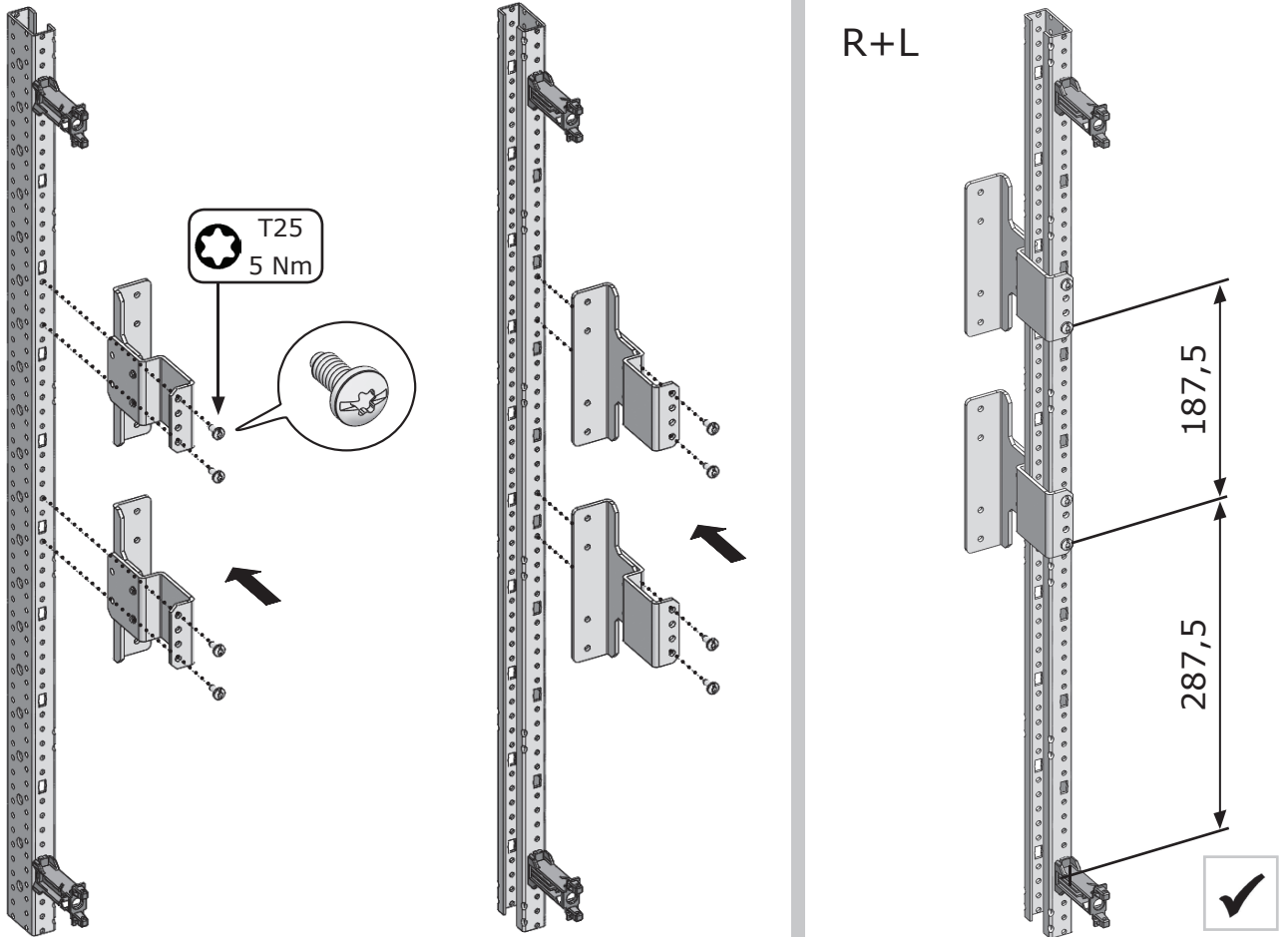
B

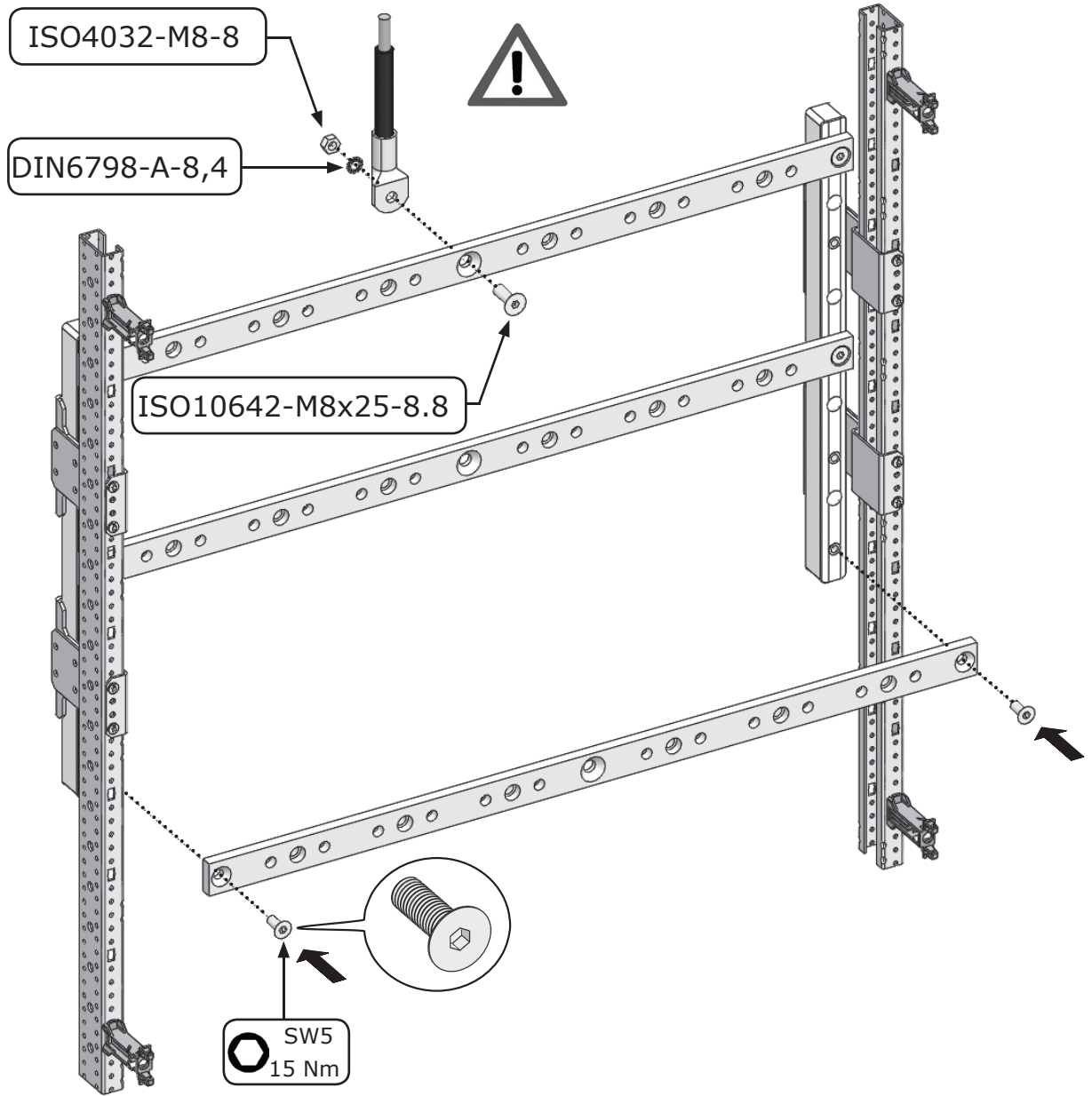



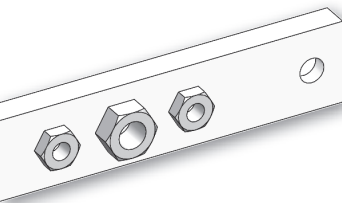
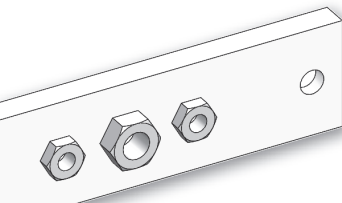
ZHBM.. + EFM

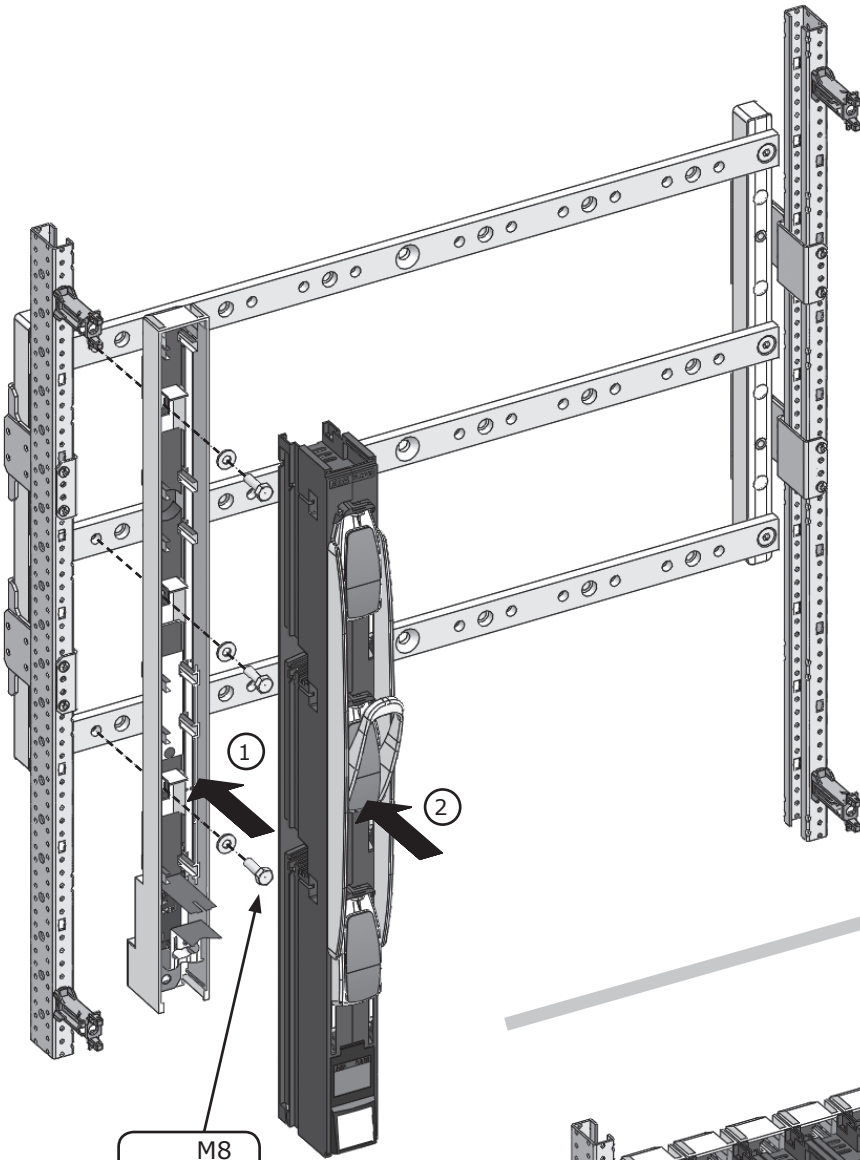






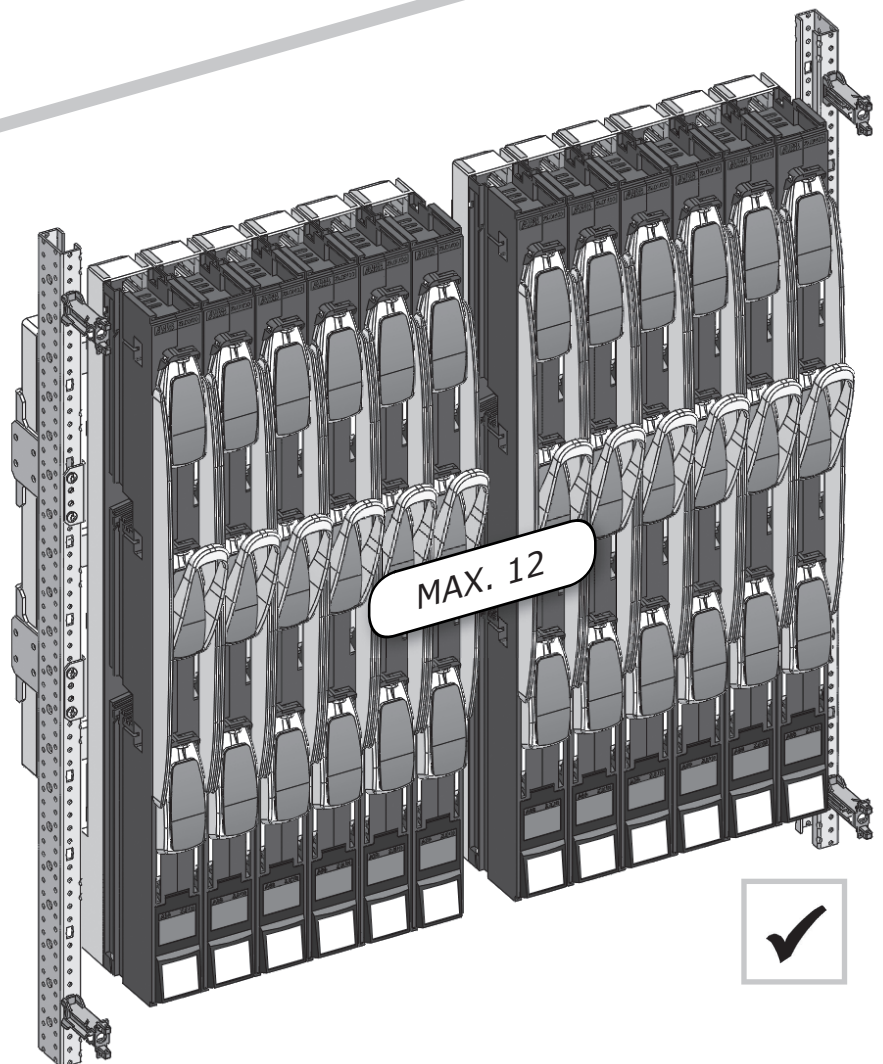


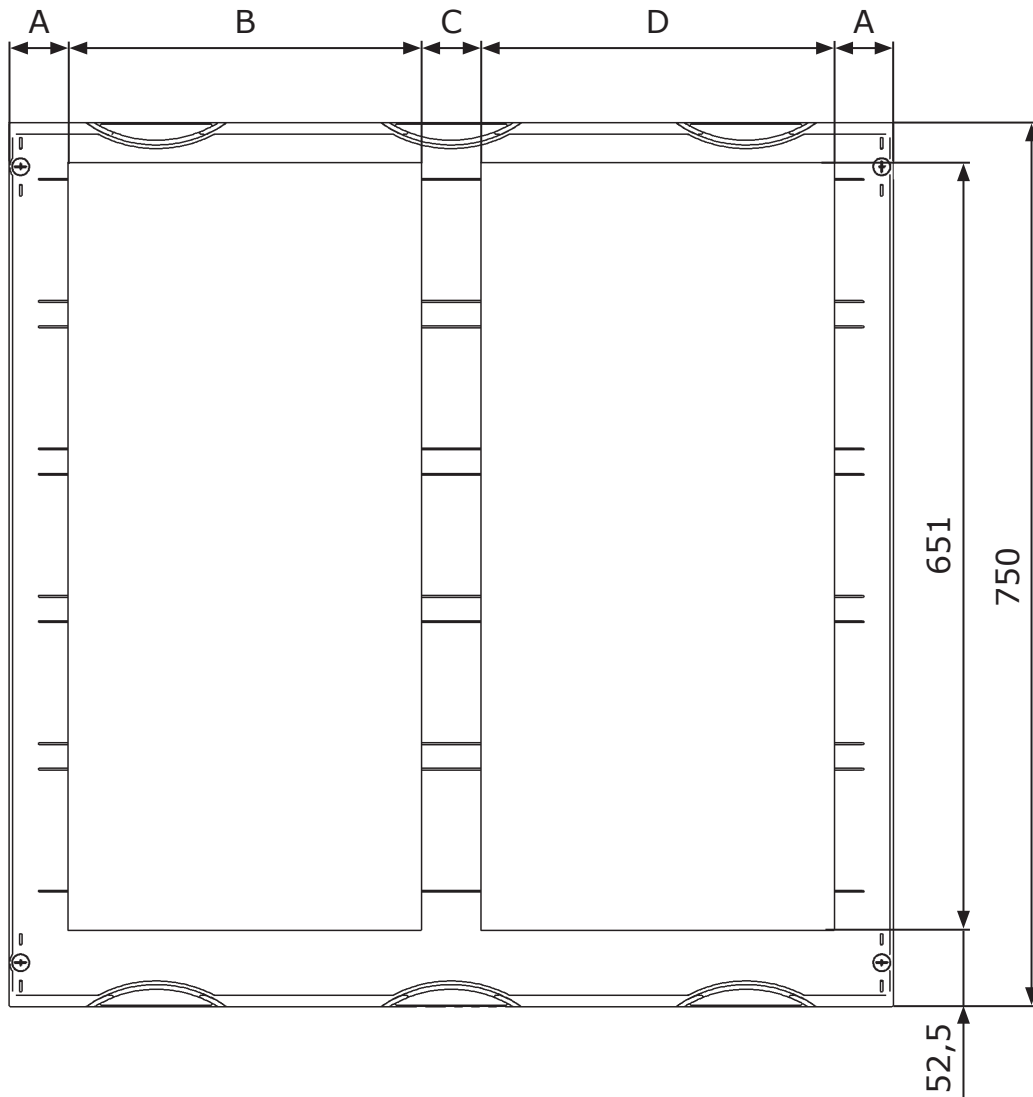
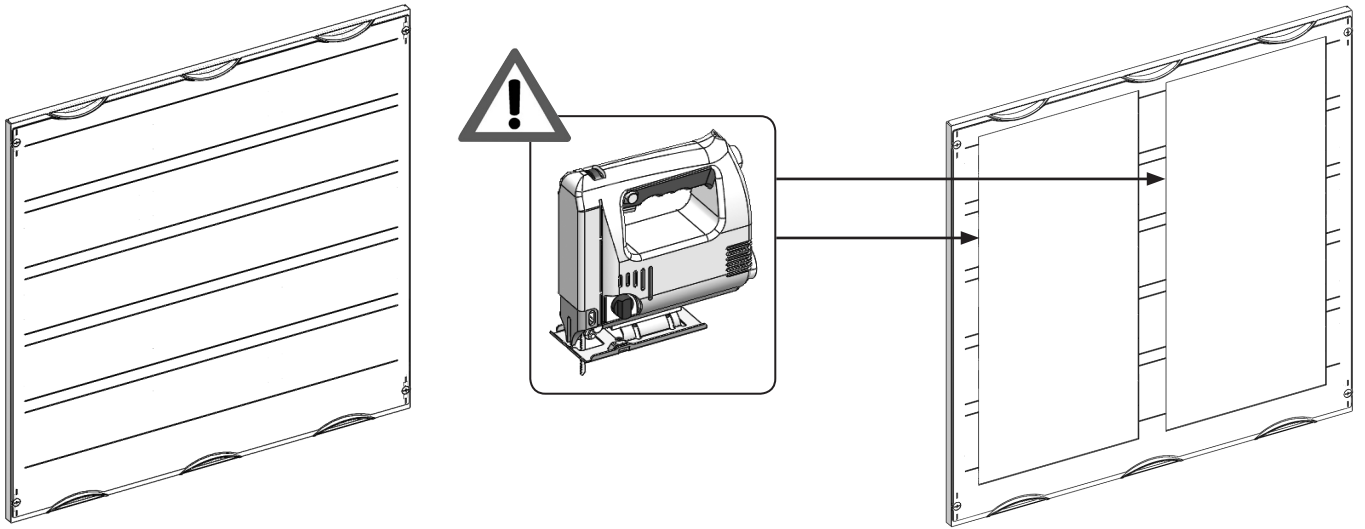
	<b>CU 30x10</b>	<b>CU 40x10</b>
		
MBD100	ZX1220	ZX1226
MBD200	ZX1221	ZX1227
MBD300	ZX1222	ZX1228



M8  
SW13  
10 Nm

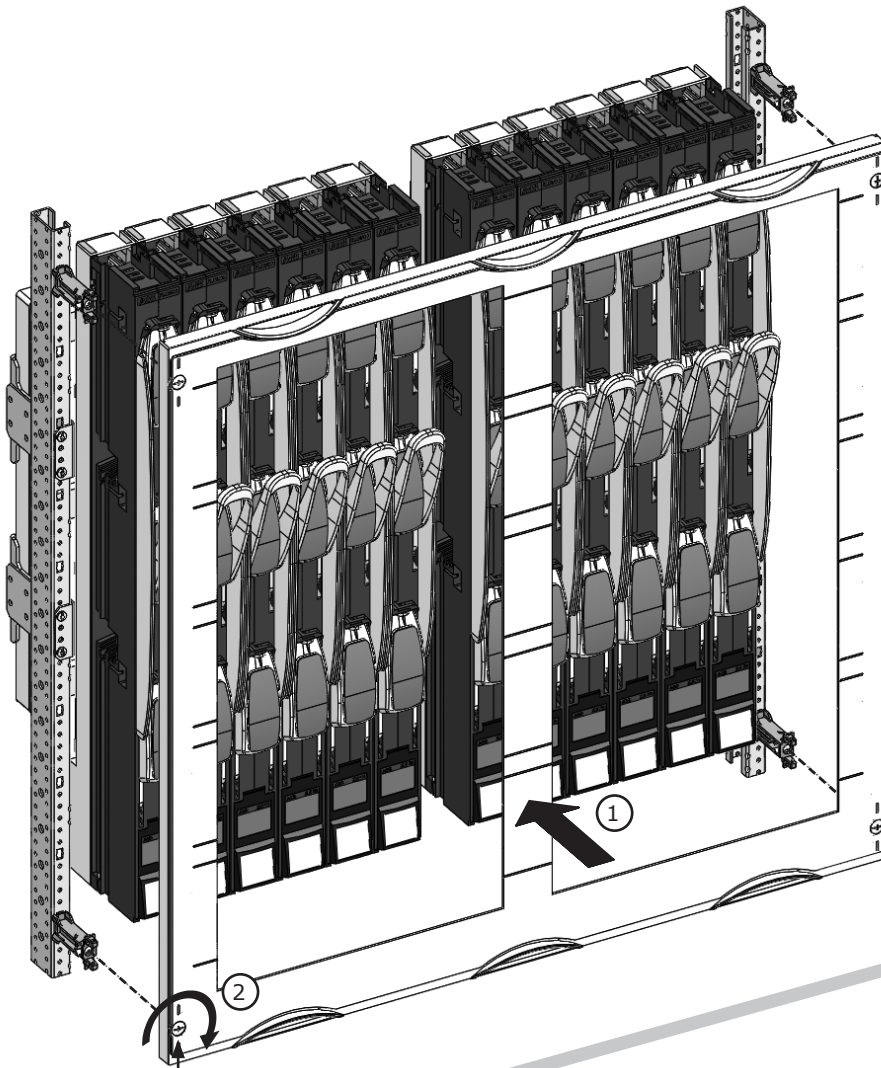
M12  
SW18  
25 Nm



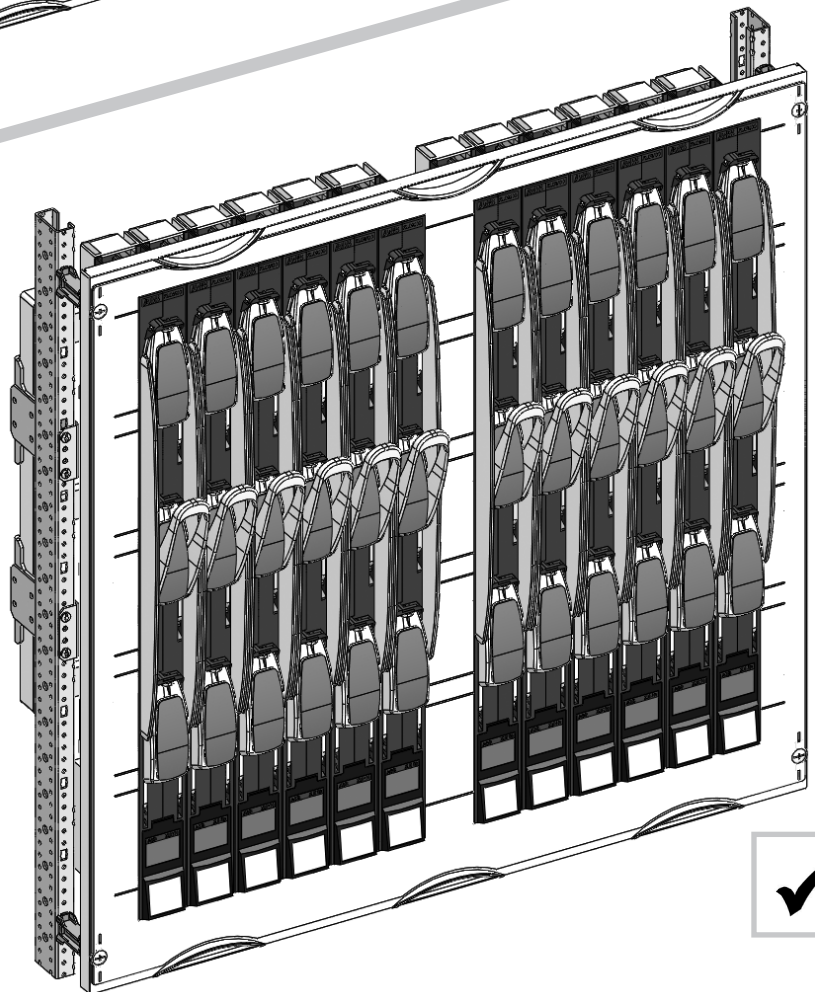


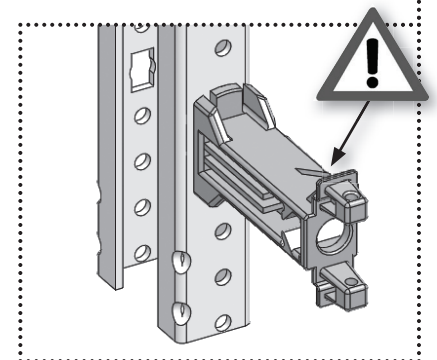
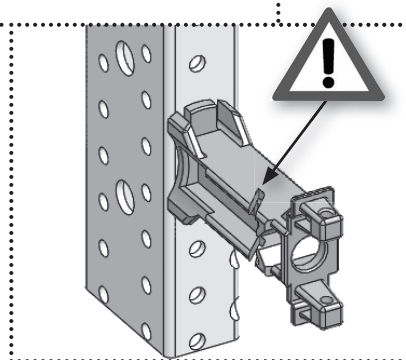
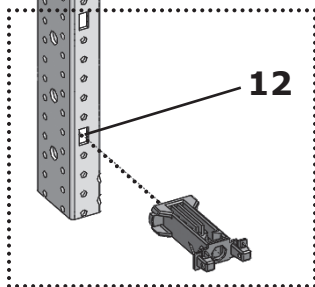
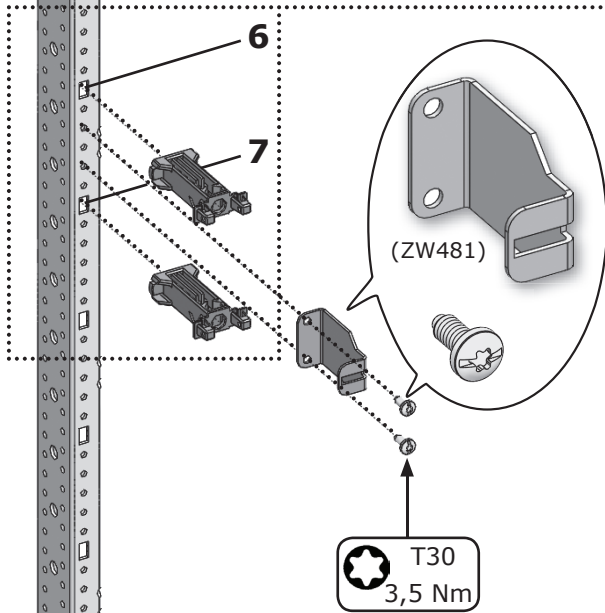
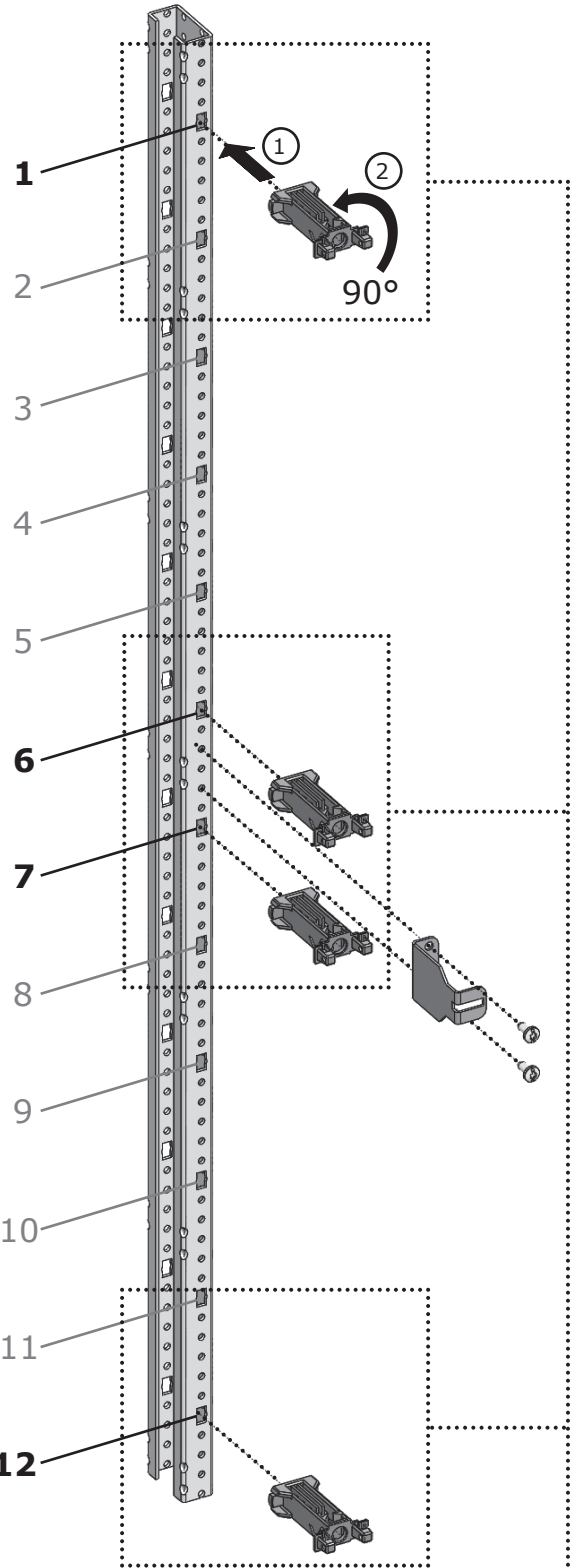
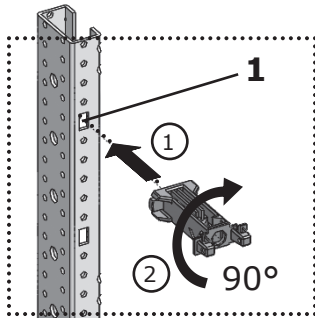
	<b>Type</b>	<b>A</b>	<b>B</b>	<b>C</b>	<b>D</b>
MBD100	AG243	25,25	199,5	-	-
MBD200	AG244	50,25	399,5	-	-
MBD300	AG245	50,25	299,5	50,5	299,5

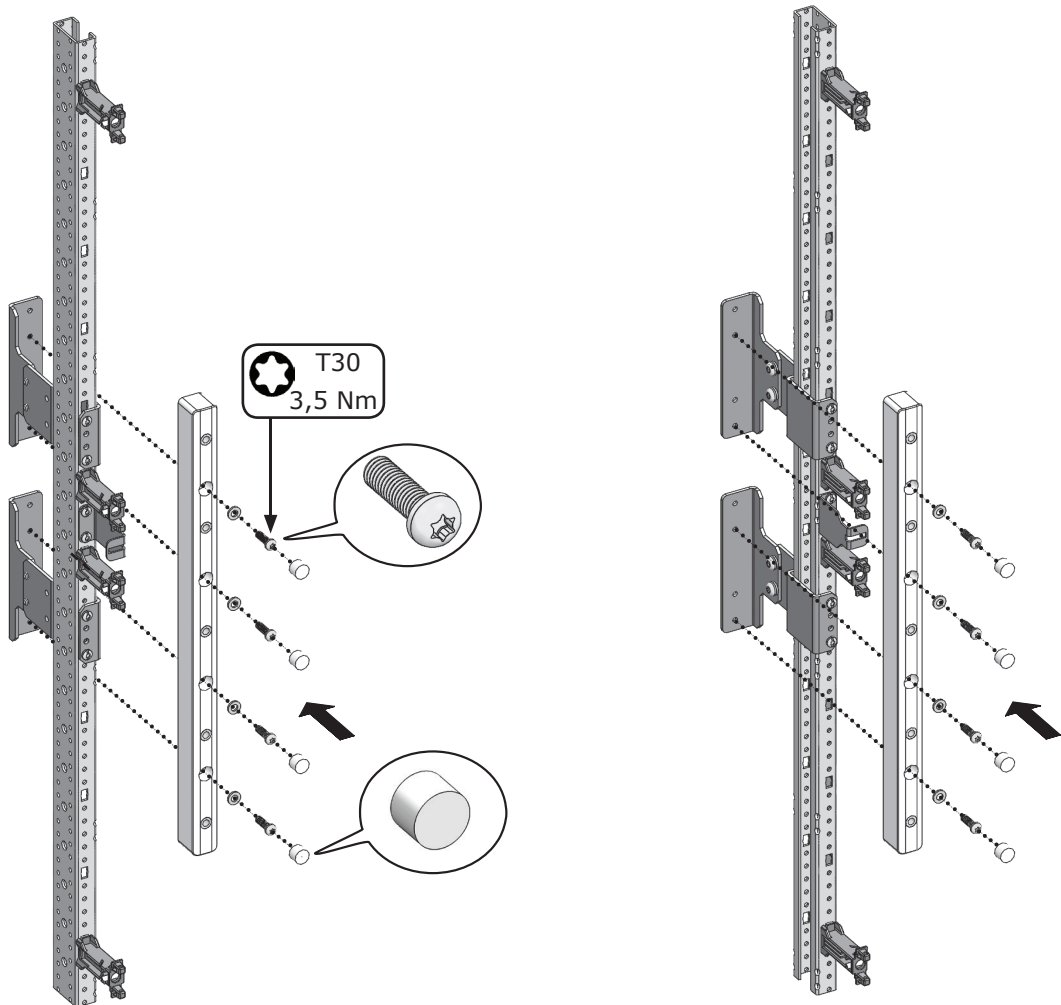
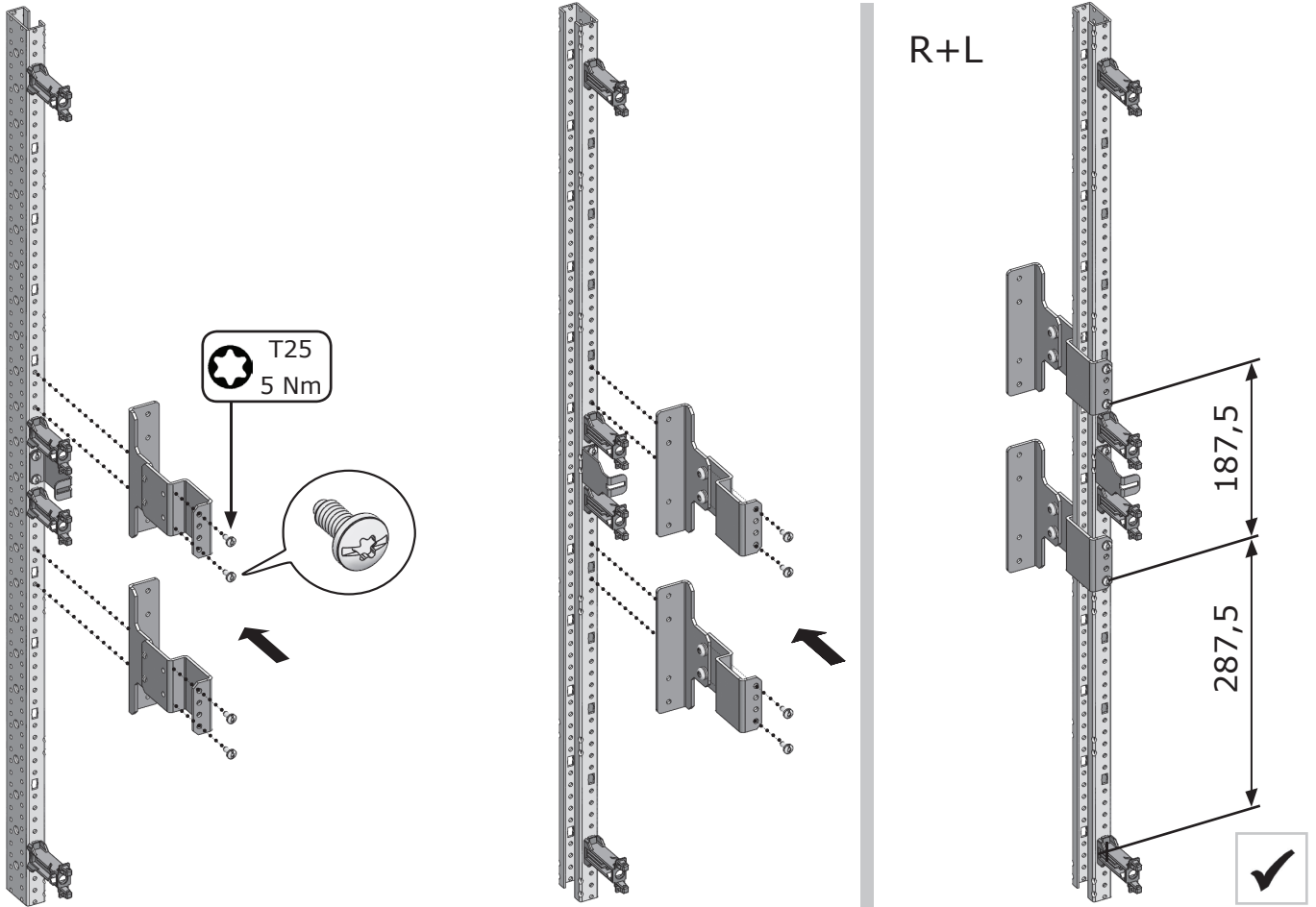


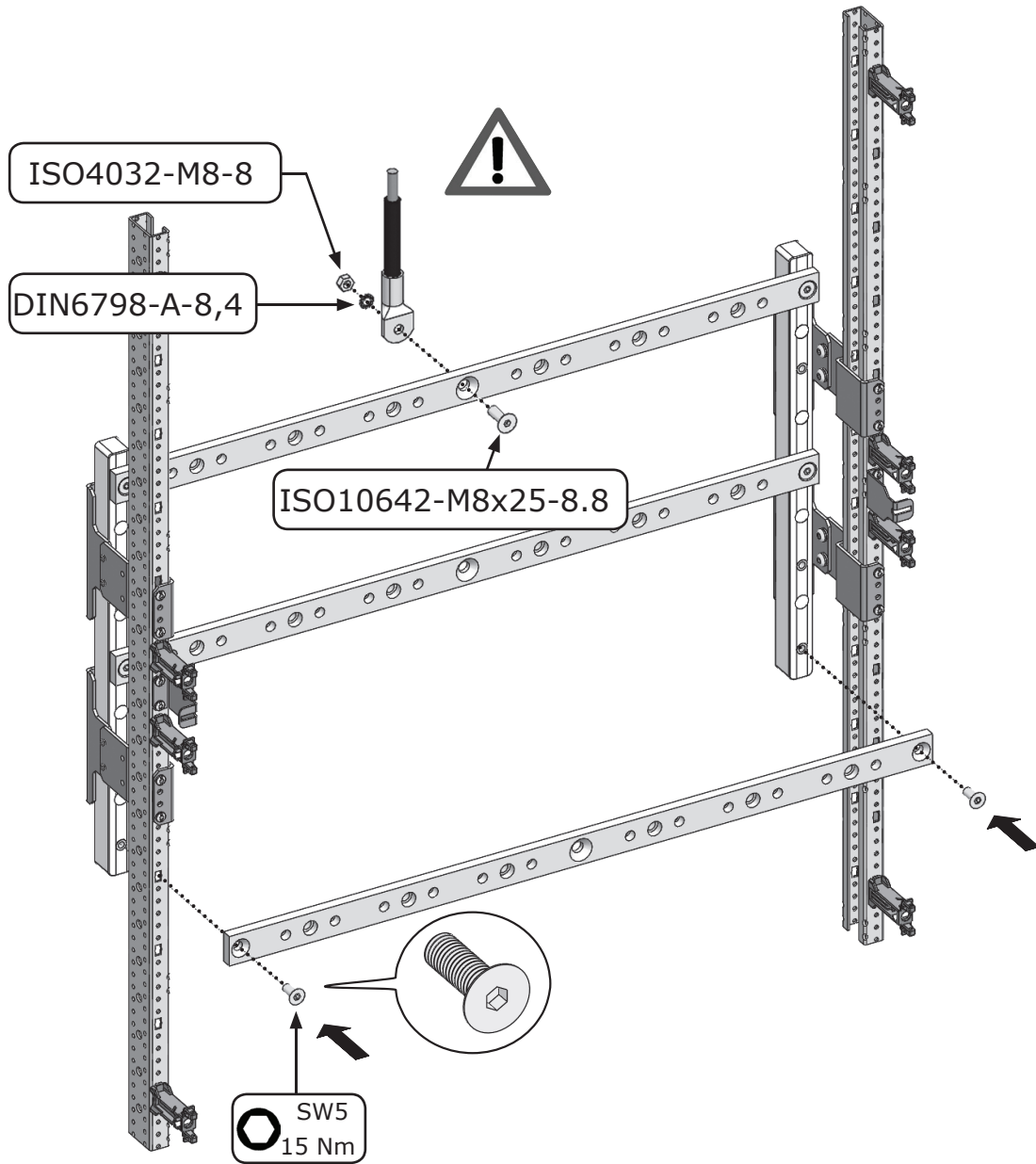



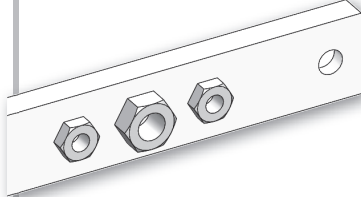
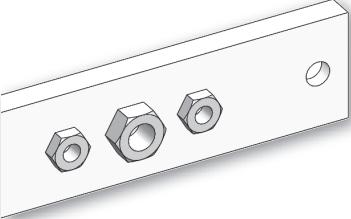
⊕ PH2

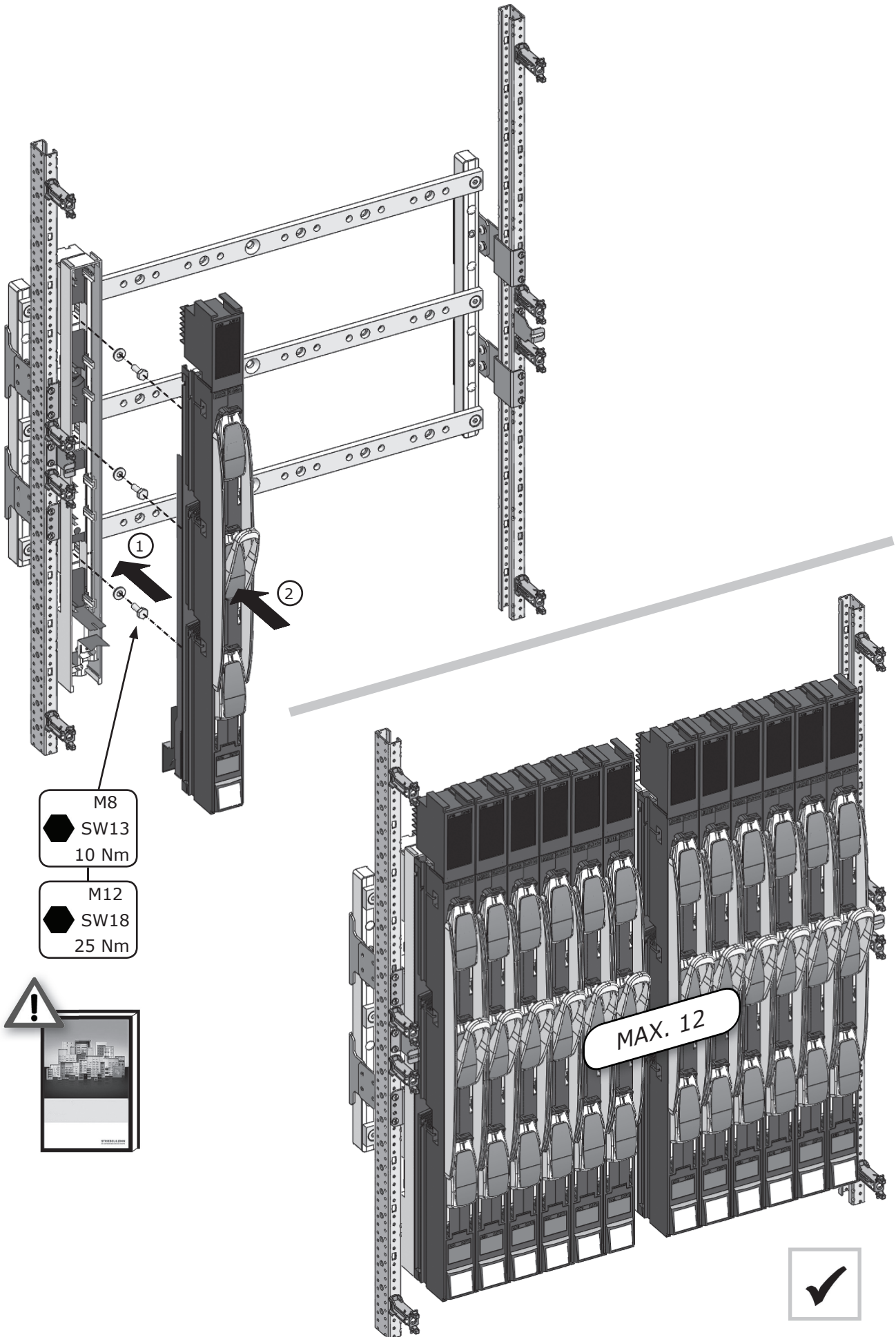


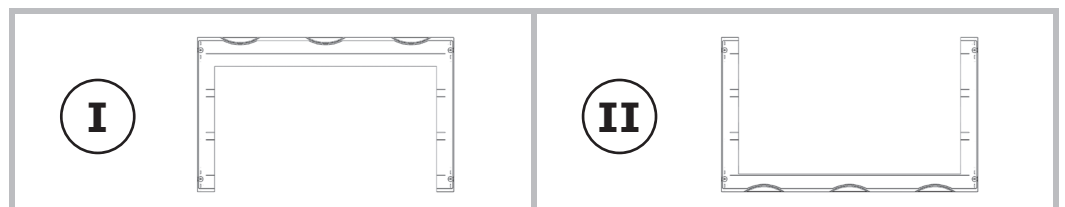
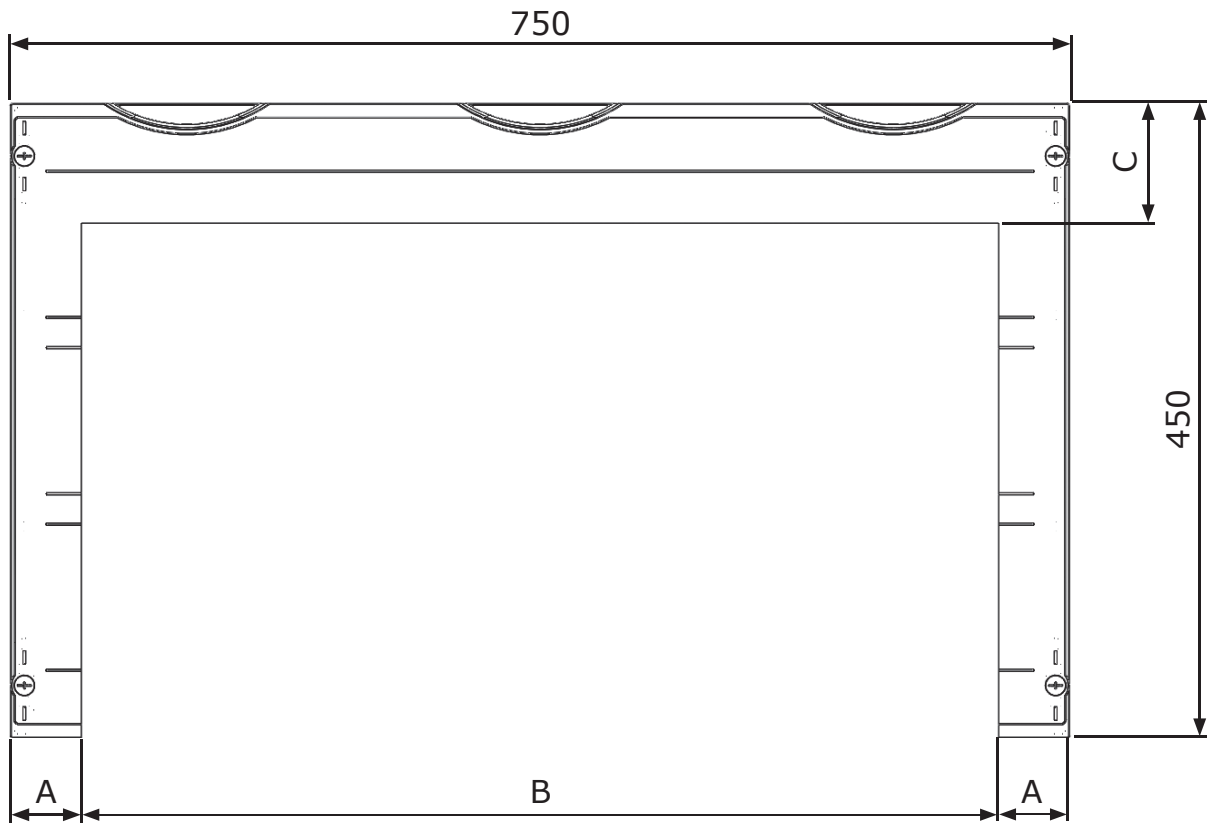
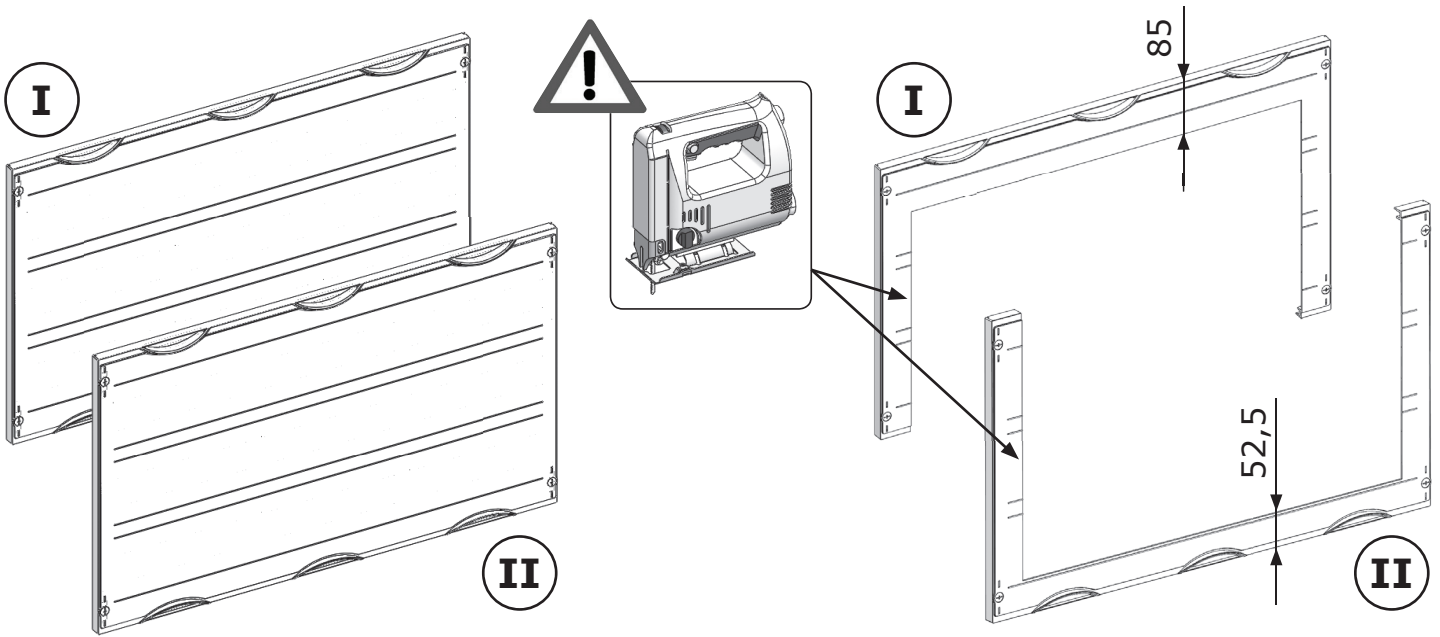




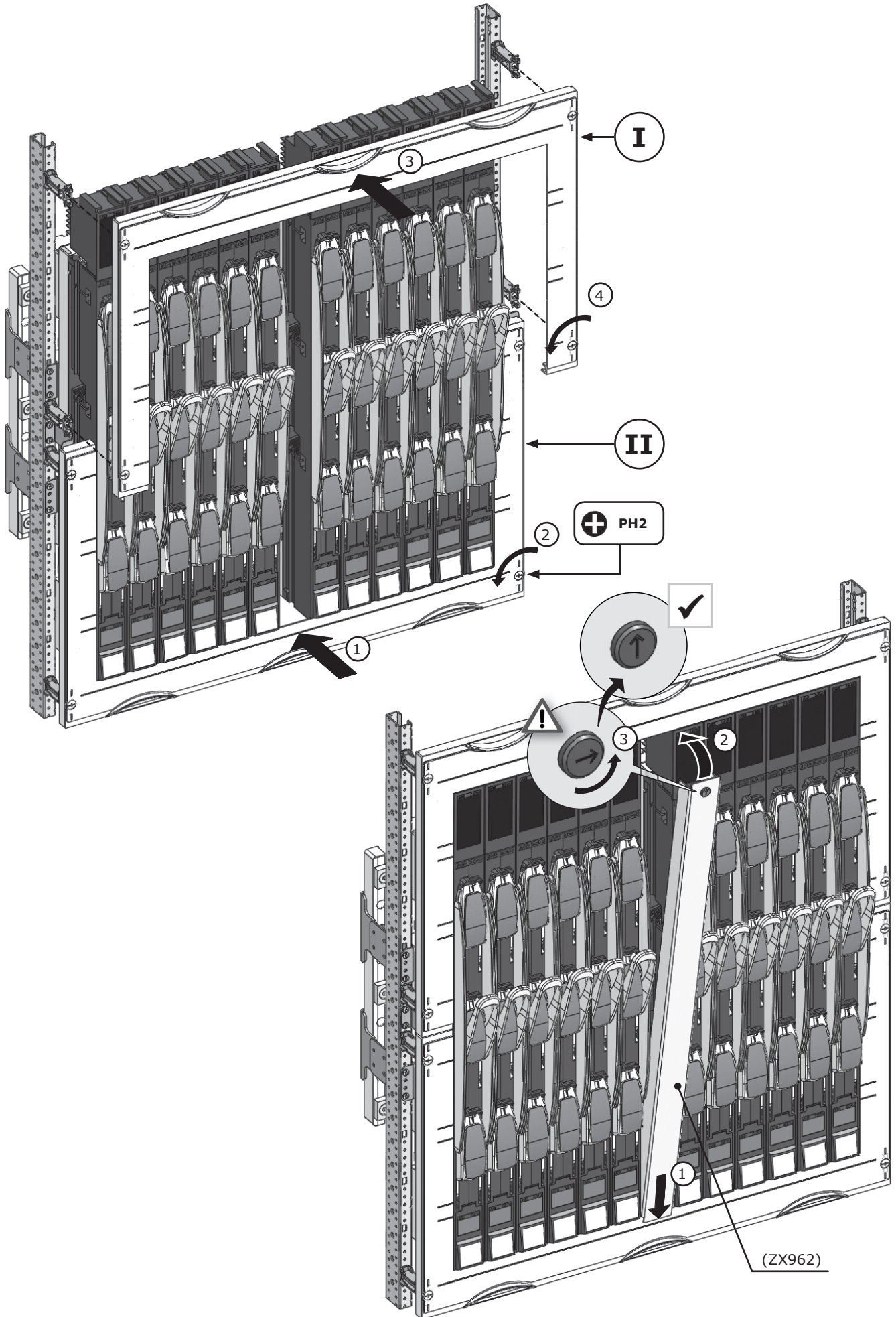


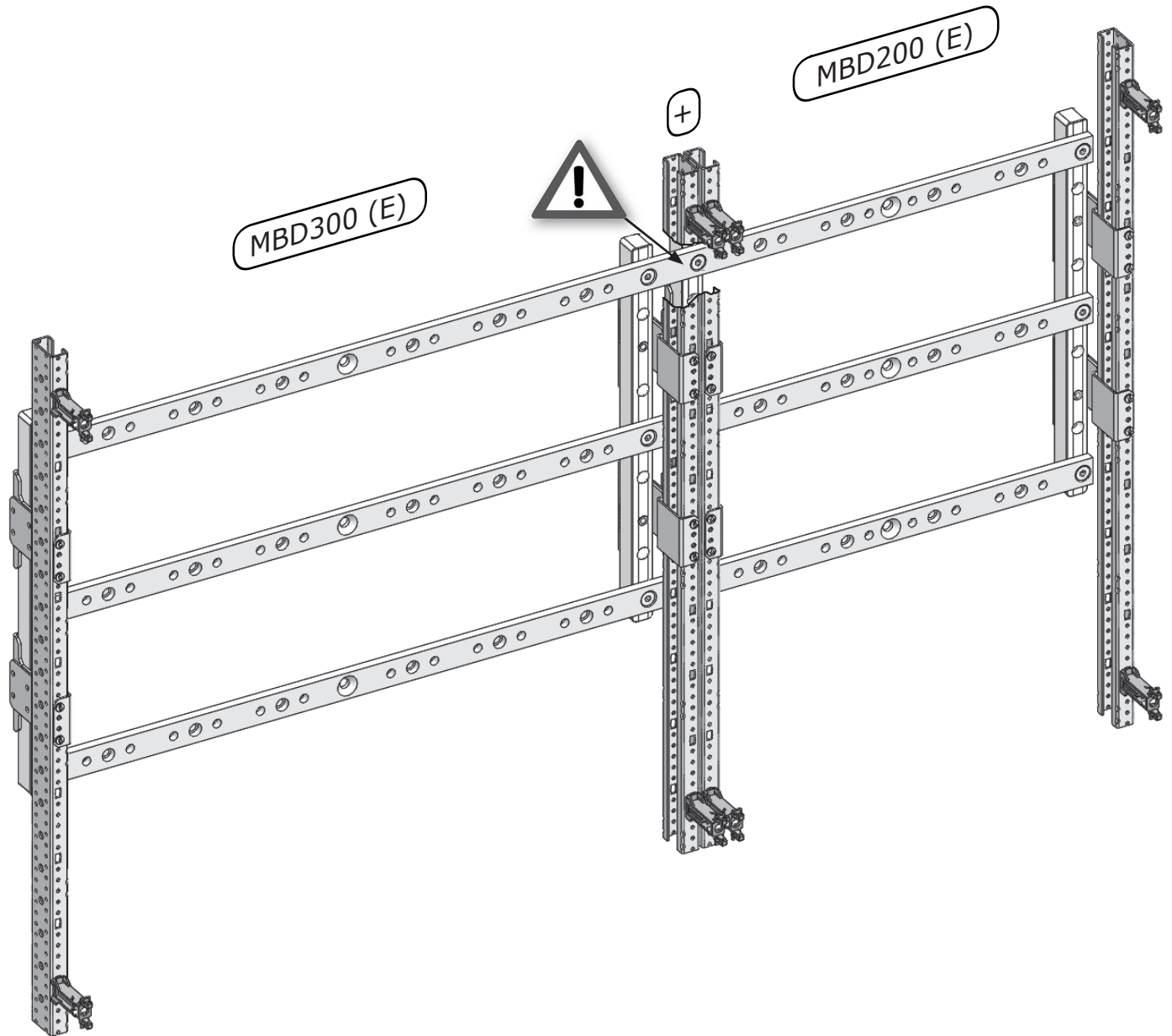
	<b>CU 30x10</b>	<b>CU 40x10</b>
		
MBD100E	ZX1220	ZX1226
MBD200E	ZX1221	ZX1227
MBD300E	ZX1222	ZX1228


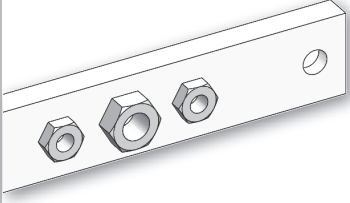
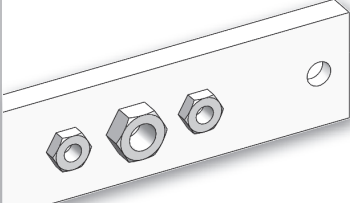




	<b>Type</b>	<b>A</b>	<b>B</b>	<b>C</b>	<b>A</b>	<b>B</b>	<b>C</b>
MBD100E	AG246	25,25	199,5	85	25,25	199,5	52,5
MBD200E	AG247	50,25	399,5	85	50,25	399,5	52,5
MBD300E	AG248	50,25	649,5	85	50,25	649,5	52,5





	<b>CU 30x10</b> 	<b>CU 40x10</b> 
MBD200 (E) + MBD200 (E)	ZX1220	ZX1226
MBD300 (E) + MBD200 (E)	ZX1221	ZX1227
MBD300 (E) + MBD300 (E)	ZX1222	ZX1228