

plug low voltage - with cable gland, Multi-Grip



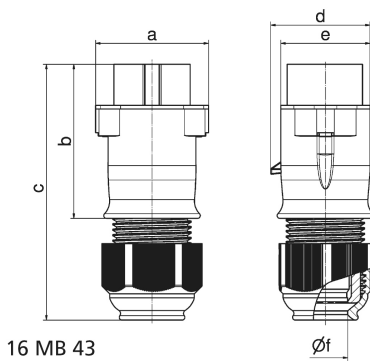
Product description	
BALS-Prd.-Nr	4432
EAN	4024941044325
Product category	ELV plug
Current	16A
Number of poles	3p
Arrangement of phases	3P
Position of earth contact	3 h
Frequency	400Hz
Protection degree	IP44

Product description	
Colour code	green RAL 6002
Colour of appliance	Collar green RAL 6002, Housing cover grey RAL 7035, Cable gland grey RAL 7035
Connection design	with screw terminal
Maximum conductor size	10,0 qmm
Cable entry	with cable gland
Height	141mm
Width	62mm
Depth	57mm
Material of enclosure	Polyamide
Contacts	The contact carrier is made of polyamide, the contacts are brass nickel plated

Additional technical properties	
	Multi-Grip cable gland with gasket and integrated strain relief, For cable diameter from 11 up to max. 23,5 mm

Logistics data	
Weight/pcs	0.157 kg / Piece
Packaging	Bag
Content amount	1 ST
EAN	4024941044325
Length	57 mm

Logistics data	
Width	62 mm
Height	141 mm
Weight	0.158 kg
Volume	498.294 ccm
Packaging	Carton
Content amount	10 ST
EAN	4024941837545
Length	248 mm
Width	158 mm
Height	123 mm
Weight	1.667 kg
Volume	3,960 ccm



Ampere	16	16	32	32			
Polzahl	2	3	2	3			
a	62,0	62,0	62,0	62,0			
b	85,0	85,0	85,0	85,0			
c	140,0	140,0	140,0	140,0			
d	55,0	55,0	55,0	55,0			
e	50,0	50,0	50,0	50,0			
f ø	24,5	24,5	24,5	24,5			
Leiter mm ² min	4	4	4	4			
Leiter mm ² max	10	10	10	10			