

connector low voltage - with cable gland, Multi-Grip



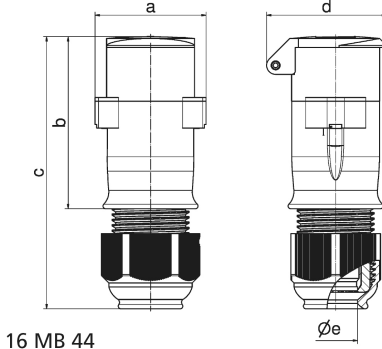
Product description	
BALS-Prd.-Nr	4527
EAN	4024941045278
Product category	ELV connector
Current	16A
Number of poles	2p
Arrangement of phases	2P
Position of earth contact	10 h
Frequency	DC
Protection degree	IP44

Product description	
Colour code	grey RAL 7035
Colour of appliance	Hinged lid grey RAL 7035, Collar grey RAL 7035, Housing cover grey RAL 7035, Cable gland grey RAL 7035
Connection design	with screw terminal
Maximum conductor size	10,0 qmm
Cable entry	with cable gland
Height	152mm
Width	62mm
Depth	67mm
Material of enclosure	Polyamide
Contacts	The contact carrier is made of polyamide, the contacts are brass nickel plated

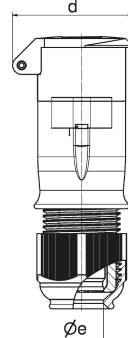
Additional technical properties	
	For cable diameter from 11 up to max. 23,5 mm, Multi-Grip cable gland with gasket and integrated strain relief

Logistics data	
Weight/pcs	0.185 kg / Piece
Packaging	Bag
Content amount	1 ST
EAN	4024941045278
Length	67 mm

Logistics data	
Width	62 mm
Height	152 mm
Weight	0.186 kg
Volume	631.408 ccm
Packaging	Carton
Content amount	10 ST
EAN	4024941970075
Length	275 mm
Width	175 mm
Height	137 mm
Weight	1.975 kg
Volume	5,737.5 ccm



16 MB 44



Ampere	16	16	32	32				
Polzahl	2	3	2	3				
a	62,0	62,0	62,0	62,0				
b	96,0	96,0	96,0	96,0				
c	152,0	152,0	152,0	152,0				
d	67,0	67,0	67,0	67,0				
e ø	24,5	24,5	24,5	24,5				
Leiter mm ² min	4	4	4	4				
Leiter mm ² max	10	10	10	10				

