

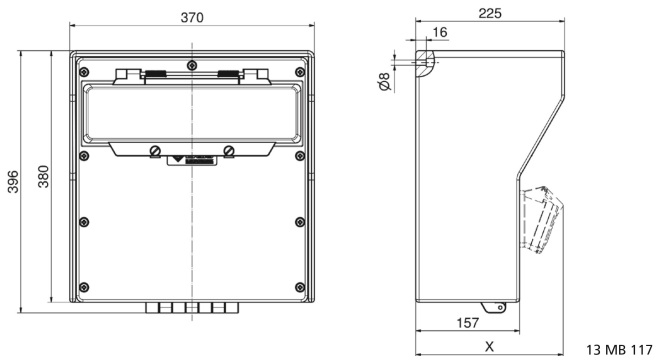
rubber - wall mounted combination units - Wall mounted combination unit - solid rubber



Product description	
BALS-Prd.-Nr	5402052
EAN	4024941948715
Product category	Distributor, solid rubber, wall mounting
Specification/Norm	DIN EN 61439-2
Protection degree	IP44
Colour of appliance	Housing bottom similar black RAL 9017, Housing top similar black RAL 9017
Height	380mm
Width	370mm

Product description	
Depth	225mm
RDF factor	0.65
Rated current InA	63

Logistics data	
Weight/pcs	15.098 kg / Piece
Packaging	Carton
Content amount	1 ST
EAN	4024941948715
Length	610 mm
Width	410 mm
Height	430 mm
Weight	16.204 kg
Volume	98,400 ccm



Tiefenmaß/ depth X (mm)

Bezeichnung/ with	IP44	IP67
Schutzk. Steckdose/domestic socket	172	215
CEE 16A 3p	210	210
CEE 16A 4p	214	212
CEE 16A 5p	217	215
CEE 32A 3p/4p	221	223
CEE 32A 5p	223	224
CEE 63A 3p/4p/5p	239	241