

Cross combination units - Cross combination units

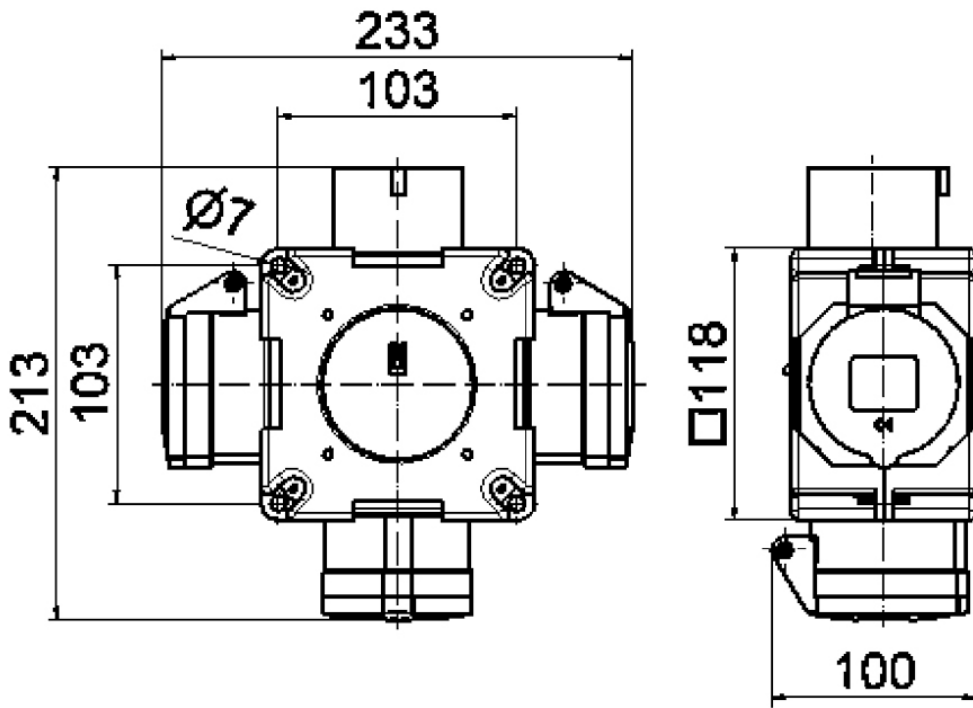


Product description	
BALS-Prd.-Nr	54568
EAN	4024941545686
Product category	Cross distributor
Specification/Norm	DIN EN 61439-2
Protection degree	IP44
Colour of appliance	Housing bottom black RAL 9005, Housing top black RAL 9005
Height	118mm
Width	118mm
Depth	80mm

Product description	
RDF factor	0.33
Rated current InA	16

Logistics data	
Weight/pcs	0.996 kg / Piece
Packaging	Carton
Content amount	1 ST
EAN	4024941545686
Length	245 mm
Width	177 mm
Height	185 mm
Weight	1.129 kg
Volume	7,140 ccm

Metal surcharges	
Surcharge type	Kupfer
Materialbase	150 EUR per 100 Kilogram
Included weight of material	0.108 Kilogram per 1 Piece



30 MB 061