

rubber - mobile combination units - UNI-BLOCK portable combination unit

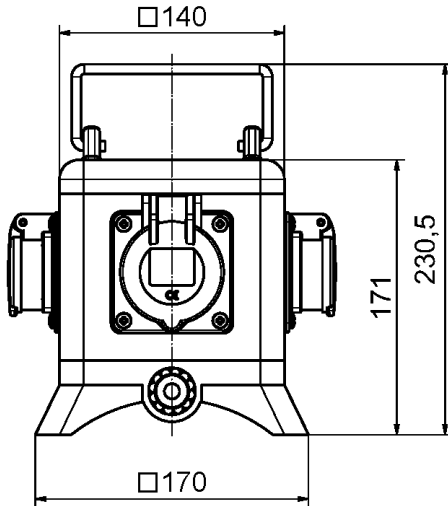


| Product description | |
|---------------------|--|
| BALS-Prd.-Nr | 57255 |
| EAN | 4024941572552 |
| Product category | UNI - BLOCK, portable |
| Specification/Norm | DIN EN 61439-2 |
| Protection degree | IP44 |
| Colour of appliance | Housing bottom similar black RAL 9017, Housing top similar yellow RAL 1021 |
| Height | 171mm |
| Width | 140mm |

| Product description | |
|---------------------|-------|
| Depth | 140mm |
| RDF factor | 0.61 |
| Rated current InA | 16 |

| Logistics data | |
|----------------|------------------|
| Weight/pcs | 3.586 kg / Piece |
| Packaging | Carton |
| Content amount | 1 ST |
| EAN | 4024941572552 |
| Length | 325 mm |
| Width | 217 mm |
| Height | 210 mm |
| Weight | 3.788 kg |
| Volume | 13,588.4 ccm |

| Metal surcharges | |
|-----------------------------|---------------------------|
| Surcharge type | Kupfer |
| Materialbase | 150 EUR per 100 Kilogram |
| Included weight of material | 0.24 Kilogram per 1 Piece |



Maße in X

| | | IP44 | IP67 | IP54 |
|--------------------|--------------|------|------|------|
| gerade | 16A 3pol. | 121 | 127 | |
| gerade | 16A 4pol. | 123 | 128 | |
| gerade | 16A 5pol. | 127 | 128 | |
| gerade | 32A 3u.4pol. | 130 | 135 | |
| gerade | 32A 5pol. | 130 | 130 | |
| geneigt | 16A 3pol. | 120 | 127 | |
| geneigt | 16A 4pol. | 121 | 127 | |
| geneigt | 16A 5pol. | 124 | 130 | |
| geneigt | 32A 3u.4pol. | 130 | 135 | |
| geneigt | 32A 5pol. | 139 | 139 | |
| gerade | Schuko | 98,5 | 114 | 106 |
| Absicherungsklappe | | 90 | | |

