



- Economical, advantageous LED technology: High luminance, low heat build-up, an extremely long service life and maintenance-free operation
- Easily visible light signals thanks to diffusers lenses in red, yellow, green, blue and white
- For use in temperatures as low as -60 °C

### WebCode 8010C

R. STAHL Series 8010 indicator lamps use a white LED with a diffuser lens, the light on which can be coloured red, yellow, green or blue using calottes. This means that important switching device signals can be easily identified even under poor lighting conditions. The indicator lamps are robust and suitable for use at temperatures as low as -60 °C.

## Technical Data

### Explosion Protection

Scope of validity	European Union (ATEX) IECEX
Application range (zones)	1 2
IECEX gas certificate	IECEX PTB 17.0022U
IECEX gas explosion protection	Ex db ia ib IIC Gb
IECEX firedamp certificate	IECEX PTB 17.0022U
IECEX firedamp protection	Ex db ia/ib I Mb
ATEX gas certificate	PTB 17 ATEX 1005 U
ATEX gas explosion protection	⊕ II 2 G Ex db ia ib IIC Gb
ATEX firedamp certificate	PTB 17 ATEX 1005 U
ATEX firedamp protection	⊕ I M2 Ex db ia/ib I Mb
Certificates	ATEX (PTB), Brazil (ULB), EAC (ENDCE), IECEX (PTB), Korea (KGS)
Notes	Product label may vary. Series devices have certification according to ATEX and IECEX.

### Safety Data

Max. capacitance Ci	Negligible
Max. inductance Li	Negligible
Max. voltage Ui	30 V
Max. current Ii	150 mA
Max. power Pi	1 W

### Electrical Data

Rated operational voltage AC	10.8 – 24 V
Rated operational voltage DC	10.8 – 24 V
Voltage tolerance	-10 to +10%
Frequency	0 to 60 Hz
Rated operational current	max. 20 mA
Max. rated operational power	1 W

# Control Devices

## LED indicator lamp For front installation

Ex i

8010/6-21-2 Art. No. 240901



### Electrical Data

Electrical service life	10 <sup>5</sup> lighting hours
-------------------------	--------------------------------

### Lighting Data

Lamp	White LED
------	-----------

### Ambient Conditions

Ambient temperature	-60 °C ... +80 °C
---------------------	-------------------

Ambient temperature	-76 °F ... +176 °F
---------------------	--------------------

Operating temperature	-60 °C ... +100 °C
-----------------------	--------------------

Operating temperature	-76 °F ... +212 °F
-----------------------	--------------------

### Mechanical Data

IP degree of protection (IEC 60529)	IP20
-------------------------------------	------

Enclosure material	Polyamide
--------------------	-----------

Silicone-free	Yes
---------------	-----

Solid connection cross section	0.32 – 2.5 mm <sup>2</sup>
--------------------------------	----------------------------

Connection cross-section AWG single stranded	2
--	---

Finely stranded connection cross section	0.32 – 2.5 mm <sup>2</sup>
--	----------------------------

Connection cross-section, finely stranded with core end sleeve	0.32 – 2.5 mm <sup>2</sup>
--	----------------------------

Connection cross-section AWG finely stranded	AWG22 - AWG14
--	---------------

Connection cross-section, finely stranded with core end sleeve AWG	1
--	---

Packaging unit	1
----------------	---

Weight	0.03 kg
--------	---------

Weight	0.066 lb
--------	----------

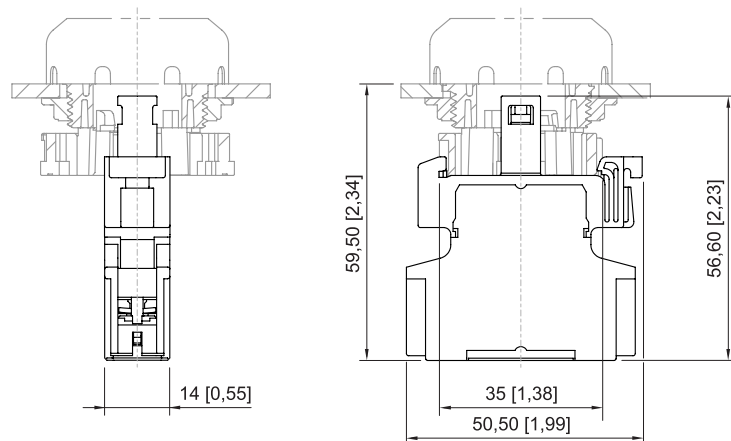
### Mounting / Installation

Tightening torque	1.2 Nm
-------------------	--------

Tightening torque lbf in	10.62 lbf in
--------------------------	--------------

Connection	Screw terminal
------------	----------------

### Dimensional Drawings (All Dimensions in mm [inches]) – Subject to Alterations



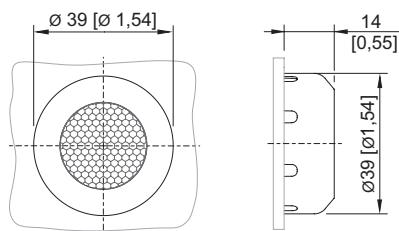
LED indicating lamp

# Control Devices

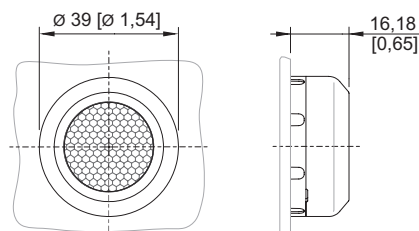
## LED indicator lamp For front installation

### Ex i

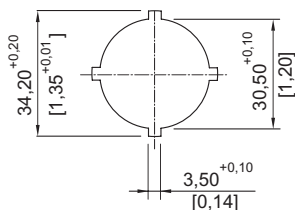
#### 8010/6-21-2 Art. No. 240901



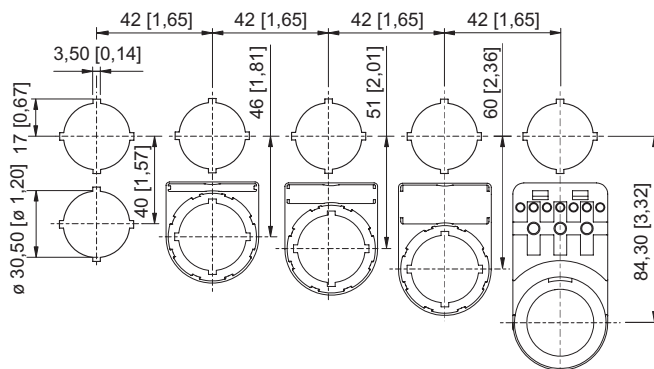
8602/3-735 Illuminated pushbutton  
Actuator with axial actuation



8602/3-054 Indicator lamp bezel  
Actuator without actuation



Cut-out details



Standard cut-out with / without front label

## Accessories

### Indicator lamp bezel BG054



Diameter 39.0 mm  
All colours  
Silicone-free: Yes

Diameter 39.0 mm  
All colours  
Silicone-free: No

Art. No.

223122

223123

### Illuminated pushbutton (spring return) BG735



Diameter 39.0 mm  
All colours  
Silicone-free: Yes

Diameter 39.0 mm  
All colours  
Silicone-free: No

Art. No.

244654

244655

## Spare Parts

### Adaptor for front installation



8602/3 Front installation for indicator lamp series 8010/6 and contact element series 8082/3

Art. No.

227038

## Control Devices

LED indicator lamp For front installation

Ex i

8010/6-21-2 Art. No. 240901



---

### Holder for front installation

### Art. No.



8602/3 holder for cable duct

248673

We reserve the right to make alterations to the technical data, dimensions, weights, designs and products available without notice. The illustrations cannot be considered binding.